

# Parts Catalog

## Core 50 Sweeper Scrubber



**Models:** Gasoline, Lpg & Diesel



**PREFACE**

Thank you for your purchase of the now industry standard for sweepers. PowerBoss takes great pride in offering the most dependable, reliable and best value in industrial power sweepers and sweeper / scrubbers. We set the standard.

Our Publishing Department would like to hear from you. If you see any errors, omissions or something that needs clarification in this Spare Parts Catalog please let us know. We are working hard toward perfection in our corner of the process to bring you the best you can buy. Please copy the form below, fill out and comment on how you found our catalog.

Thank you.

\*Name \_\_\_\_\_

\*Title: \_\_\_\_\_

\*Company Name: \_\_\_\_\_

\*Address: \_\_\_\_\_

\*Country: \_\_\_\_\_

Type of equipment or model number: \_\_\_\_\_

Comments:

\*Information is optional.

Please return to:

Manager, Publishing Department, International  
PowerBoss, Inc.  
175 Anderson Street  
Aberdeen, North Carolina 28315 USA

Phone (800) 982-7141 Toll Free  
(910) 944-2105 Local

E-Mail - techsupport@powerboss.com

This is the Spare Parts Catalog for the PowerBoss Core 50 Sweeper Scrubber. We believe this machine will provide excellent service for many years.

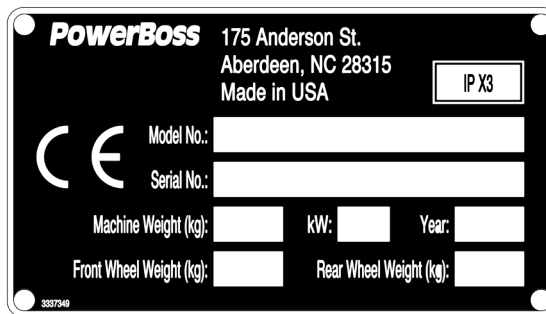
However, the best results will be obtained if:

- The machine is operated with reasonable care.
- The machine is maintained regularly per the maintenance schedule provided in the User Manual.
- The machine is maintained with PowerBoss Inc. supplied or equivalent parts.

All right side and left side references to the machine (except for engine) are determined by facing the direction of forward travel. The front of the engine or engine fan faces the rear of the machine. Some hardware considered to be common or locally available has been omitted from the parts section to make this manual clear. Be sure to use equivalent hardware when replacement becomes necessary.

The Model and Serial Number of your machine is shown on the I.D. name plate. This information is needed when contacting Technical Support or when ordering parts. The I.D. plate is mounted on the console of the machine left of the operator. Adjacent the main broom adjustment access door.

Example I.D Plate;



Parts may be ordered by phone, fax or e-mail from any PowerBoss parts and service center. Before ordering parts or supplies, be sure to have your machine model number and serial number handy. For your convenience Fill out the data block below for future reference.

<p><b>MACHINE DATA</b> Fill out at installation</p>	
Serial Number:	_____
Engine Serial Number:	_____
Sales Rep.:	_____
Date of Install:	_____

All information contained in this catalog is current at the time of printing However, PowerBoss reserves the right to make changes at any time without notice.

©2010, PowerBoss, Inc., Printed in USA

**TECHNICAL SPECIFICATIONS**

Model Core 50 Sweeper Scrubber  
Model No. 3343520Z / 3343500Z / 3343540Z

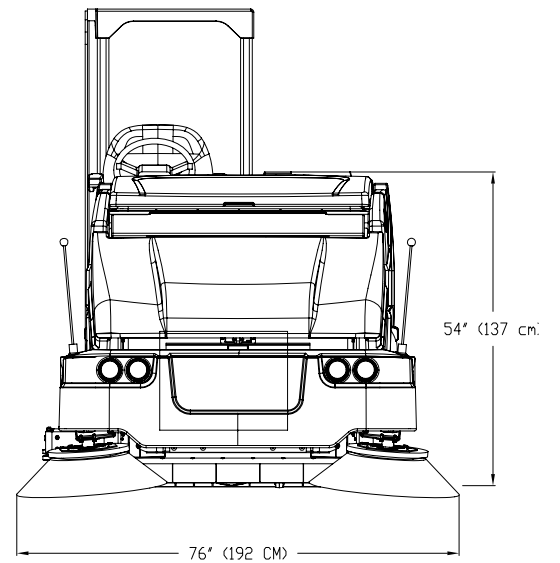
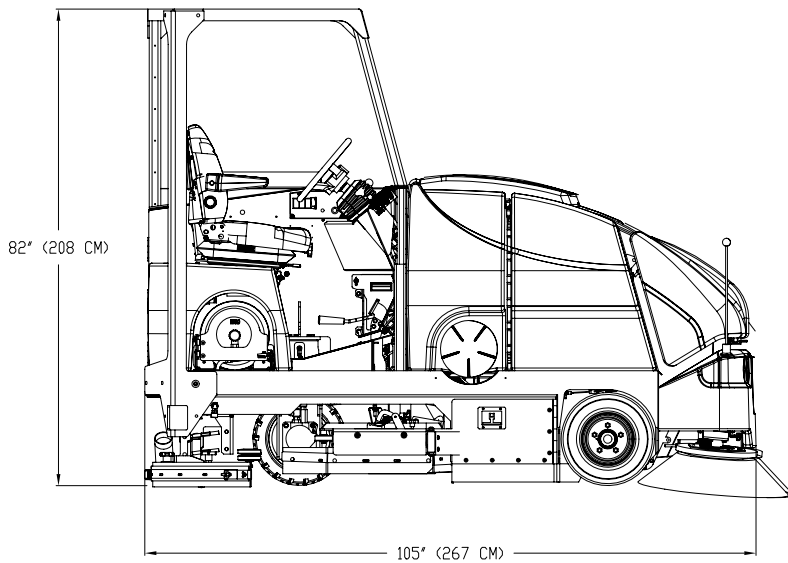
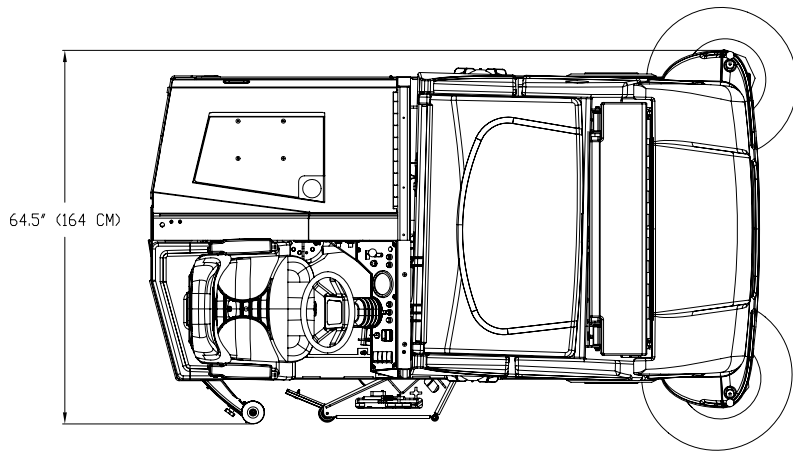
**DIMENSIONS & WEIGHT**

Length . . . . . 105 inch (267 cm)  
Width . . . . . 64.5 inch (164 cm)  
Width w/ dual side brooms . . . 76 inch (192 cm)  
Height . . . . . 54 inch (137 cm)  
Height w/ overhead guard . . . 82 inch (208 cm)  
weight . . . . . 4,250 lbs. (1,928 kg)  
minimum u-turn. . . . . 114 inch (289 cm)  
tires (2 front) (1 rear) . . . . . 16 inch x 5 inch

**SWEEPING / SCRUBBING SYSTEM**

productivity . . . . . 131,319 sq. ft.  
. . . . . (12,200 m2) p/hr.  
sweep path w/ side broom . . . 55 inch (140 cm)  
sweep path w/ dual brooms . . 76 inch (192 cm)  
main broom. . . . . 42 inch (106 cm)  
side broom . . . . . 23" (28 cm) each  
scrub path w/ edge scrub . . . . 50 inch (127 cm)  
disc brushes . . . . . 17 inch (43 cm)  
Scrub deck pressure. . . . . 400 lbs (181 kg)  
scrub brush speed . . . . . 200 rpm  
hopper volume . . . . . 8.5 cu. ft. (241 L)  
hopper load capacity . . . . . 650 lbs (295 kg)  
dust control filter . . . . . 92 sq. ft. (8.55 m2)  
multi-level high dump . . . . . 60 inch (152 cm)  
Solution Tank capacity . . . . . 100 gallon (378.5 L)  
Recovery Tank capacity . . . . . 100 gallon (378.5 L)  
RTR (rotary trash relocation) . yes





**TABLE OF CONTENTS**

PREFACE ..... 2

TECHNICAL SPECIFICATIONS ..... 4

    DIMENSIONS & WEIGHT ..... 4

    SWEEPING / SCRUBBING SYSTEM ..... 4

STANDARD ABBREVIATIONS ..... 9

FRONT AXLE GROUP - 3343075, REVISION D ..... 10

FRONT AXLE ASSEMBLY - 3318673, REVISION A ..... 12

DRIVE WHEEL GROUP - 3342648, REVISION A ..... 14

REAR DRIVE ASSEMBLY - 3341666, REVISION F ..... 16

CONSOLE GROUP - 3342964, REVISION \* ..... 18

CONSOLE ASSEMBLY - 3342810, REVISION E ..... 20

INSTRUMENT PANEL ASSEMBLY - (GAS & LPG 3342909 REV D) (DIESEL 3343910 REV B) ..... 22

AUXILIARY CONTROL PANEL ASSEMBLY - 3342713, REVISION F ..... 24

FLOOR BOARD GROUP - 3342647, REVISION \* ..... 26

FLOOR PAN ASSEMBLY - 3342642, REVISION B ..... 28

FRAME GROUP - 3342960 PART 1, REVISION C ..... 30

FRAME GROUP - 3342960 PART 2, REVISION C ..... 32

FRAME GROUP - 3342960 PART 3, REVISION C ..... 34

ENGINE COVER, TOP ASSEMBLY - 3343365, REVISION B ..... 36

ENGINE COVER, SIDE ASSEMBLY - 3342807, REVISION A ..... 38

REAR GUARD SUB ASSEMBLY (TIER 2 ENGINE) - 3343358, REVISION A ..... 40

ENGINE COVER, REAR ASSEMBLY - 3342229, REVISION C ..... 42

FUEL SYSTEM GASOLINE GROUP GM1.6L - 3343553, REVISION A ..... 44

FUEL TANK SUB ASSEMBLY GM1.6L - 3343473, REVISION B ..... 46

FUSE PANEL ASSEMBLY - 3342641, REVISION \* ..... 48

BROOM DOOR, LEFT HAND ASSEMBLY - 3341652, REVISION \* ..... 50

BROOM DOOR, RIGHT HAND ASSEMBLY - 3341653, REVISION \* ..... 52

FRONT BUMPER ASSEMBLY - 3342803, REVISION B ..... 54

REAR BUMPER, RIGHT HAND ASSEMBLY - 3341669, REVISION \* ..... 56

HOPPER GROUP - 3342962, REVISION \* ..... 58

HOPPER GROUP - 3342962, REVISION \* (CONTINUED) ..... 60

HOPPER ASSEMBLY - 3342802, REVISION D ..... 62

HOPPER ASSEMBLY - 3342802, REVISION D ..... 64

HOPPER ASSEMBLY - 3342802, REVISION D (CONTINUED) ..... 66

HOPPER ASSEMBLY - 3342802, REVISION D (CONTINUED) ..... 68

**TABLE OF CONTENTS (CONTINUED)**

FILTER SHAKER ASSEMBLY - 3342940, REVISION A ..... 70

SIDE BROOM, LEFT HAND ASSEMBLY - 3342844, REVISION A ..... 72

SIDE BROOM, RIGHT HAND ASSEMBLY - 3342843, REVISION A ..... 74

HYDRAULIC VALVE GROUP - 3342966, REVISION \* ..... 76

MANIFOLD BLOCK, LEFT HAND ASSEMBLY - 3341693, REVISION D ..... 78

MANIFOLD BLOCK, RIGHT HAND ASSEMBLY - 3341694, REVISION B ..... 80

MANIFOLD CASE DRAIN ASSEMBLY - 3341695, REVISION \* ..... 82

IMPELLER, DUST CONTROL GROUP - 3342651, REVISION \* ..... 84

IMPELLER, DUST CONTROL ASSEMBLY - 3341659, REVISION A ..... 86

IMPELLER, SQUEEGEE GROUP - 3343242, REVISION A ..... 88

IMPELLER, SQUEEGEE ASSEMBLY - 3342662, REVISION A ..... 90

MAIN BROOM GROUP - 3342652, REVISION \* ..... 92

MAIN BROOM ASSEMBLY - 3341654, REVISION C ..... 94

MAIN PLUMBING GROUP - 3343156, REVISION \* ..... 96

SOLUTION FILTER ASSEMBLY - 3343155, REVISION \* ..... 98

SOLUTION VALVE ASSEMBLY - 3343154, REVISION \* ..... 100

SEAT GROUP - 3342657, REVISION \* ..... 102

SEAT CLIP ASSEMBLY - 3342806, REVISION B ..... 104

SCRUBDECK / SIDE SQUEEGEE GROUP - 3342654, REVISION \* ..... 106

SCRUBDECK ASSEMBLY - 3341650, REVISION B ..... 108

KIT SCRUBDECK GAS SPRING REPLACEMENT - 3344122, REVISION B ..... 110

SIDE SQUEEGEE, LEFT HAND ASSEMBLY - 3341658, REVISION E ..... 112

SIDE SQUEEGEE, RIGHT HAND ASSEMBLY - 3342516, REVISION F ..... 114

REAR SQUEEGEE GROUP - 3342653, REVISION \* ..... 116

REAR SQUEEGEE ASSEMBLY - 3341655, REVISION B ..... 118

REAR SQUEEGEE ASSEMBLY - 3341655, REVISION F ..... 120

PIVOT MOUNT, REAR SQUEEGEE ASSEMBLY - 3341656, REVISION B ..... 122

PIVOT MOUNT, REAR SQUEEGEE ASSEMBLY - 3341656, REVISION G ..... 124

TANK, SOLUTION RECOVERY GROUP - 3342961, REVISION \* ..... 126

TANK, SOLUTION RECOVERY ASSEMBLY - 3342805, REVISION L ..... 128

TANK, SOLUTION RECOVERY ASSEMBLY - 3342805, REVISION L ..... 130

SOLUTION - RECOVERY TANK LID - 3343508, REVISION E ..... 132

TANK, SOLUTION RECOVERY ASSEMBLY - 3342805, REVISION F ..... 134

TANK, SOLUTION RECOVERY ASSEMBLY - 3342805, REVISION F ..... 136

ENGINE MOUNT & SWING FRAME, GM1.6L TIER 2 - LPG 3343278 H, GAS 3343284 J ..... 138

**TABLE OF CONTENTS (CONTINUED)**

ENGINE MOUNT & SWING FRAME, GM1.6L TIER 2 - LPG 3343278 REV H, GAS 3343284 REV J . . . 140

ENGINE RADIATOR & OIL COOLER GM1.6L TIER 2 LPG - 3343278, REV E . . . . . 142

ENGINE RADIATOR & OIL COOLER GM1.6L TIER 2 LPG - 3343278, REV E . . . . . 144

ENGINE RESERVOIR, COOLER AND AIR CLEANER GM1.6L TIER 2 LPG - 3343278, REV H . . . . . 146

ENGINE RESERVOIR, COOLER AND AIR CLEANER GM1.6L TIER 2 LPG - 3343278, REV H . . . . . 148

ENGINE RESERVOIR, COOLER AND AIR CLEANER GM1.6L TIER 2 GAS - 3343284, REV J . . . . . 150

ENGINE RESERVOIR, COOLER AND AIR CLEANER GM1.6L TIER 2 GAS - 3343284, REV J . . . . . 152

ENGINE PUMPS AND FITTINGS GM1.6L TIER 2 - LPG 3343278 H & GAS 3343284 J . . . . . 154

ENGINE PUMPS AND FITTINGS GM1.6L TIER 2 - LPG 3343278 H & GAS 3343284 J . . . . . 156

ENGINE HOSE ROUTING GM1.6L TIER 2 - LPG 3343278, REV H & GAS 3343284 J . . . . . 158

ENGINE GM 1.6L TIER 2 BREAKDOWN 1 - LPG 3343256 AND GAS 3343324 . . . . . 160

ENGINE GM 1.6L TIER 2 BREAKDOWN 1 - LPG 3343256 AND GAS 3343324 (CONTINUED) . . . . . 162

ENGINE GM 1.6L TIER 2 BREAKDOWN 1 - LPG 3343256 AND GAS 3343324 (CONTINUED) . . . . . 164

ENGINE GM 1.6L TIER 2 BREAKDOWN 2 - LPG 3343256 AND GAS 3343324 . . . . . 166

ENGINE GM 1.6L TIER 2 BREAKDOWN 2 - LPG 3343256 AND GAS 3343324 (CONTINUED) . . . . . 168

ENGINE GM 1.6L TIER 2 - FAN, ALTERNATOR, BELT & STARTER LPG 3343256 & GAS 3343324 . . . 170

ENGINE GM 1.6L TIER 2 - FUEL SYSTEM GAS 3343324 . . . . . 172

ENGINE GM 1.6L TIER 2 - FUEL SYSTEM LPG 3343256 . . . . . 174

ENGINE GM 1.6L TIER 2 - FUEL SYSTEM LPG 3343256 (CONTINUED) . . . . . 176

ENGINE MOUNT AND SWING FRAME, GM1.6L LPG - 3342801, REVISION C . . . . . 178

ENGINE RESERVOIR, COOLER AND AIR CLEANER GM1.6L LPG - 3342801, REVISION C . . . . . 182

ENGINE PUMPS AND FITTINGS GM1.6L LPG - 3342801, REVISION C . . . . . 186

ENGINE HOSE ROUTING GM1.6L LPG - 3342801, REVISION C . . . . . 188

RESERVOIR, HYDRAULIC ASSEMBLY - 3341675, REVISION A . . . . . 190

ENGINE EXHAUST SYSTEM GM1.6L TIER 2 - 3343335, REVISION A . . . . . 192

ENGINE MOUNT & SWING FRAME, KUBOTA V1505 - DIESEL 3342163 REV H . . . . . 194

ENGINE RADIATOR KUBOTA V1505 TIER 2 DIESEL - 3342163, REV H . . . . . 196

KUBOTA V1505 TIER 2 DIESEL RESERVOIR, AIR FILTER, & FUSE BOX - 3342163, REV H . . . . . 198

ENGINE PUMPS AND FITTINGS KUBOTA V1505 TIER 2 - DIESEL 3342163 REV H . . . . . 200

ENGINE PUMPS AND FITTINGS KUBOTA V1505 TIER 2 - 3342163 REVISION H (CONTINUED) . . . 202

ENGINE HOSE ROUTING KUBOTA V1505 TIER 2 - 3342163 REVISION H . . . . . 204

ENGINE KUBOTA V1505 DIESEL - MUFFLER, FUEL FILTER & ENGINE MOUNTS . . . . . 206

ENGINE KUBOTA V1505 DIESEL - ALTERNATOR, WATER PUMP AND THERMOSTAT . . . . . 208

ENGINE KUBOTA V1505 DIESEL - CYLINDER HEAD, OIL PAN, OIL FILTER, FUEL INJECTION . . . . 210

ENGINE KUBOTA V1505 DIESEL - BELL HOUSING, FLYWHEEL, AND STARTER . . . . . 212

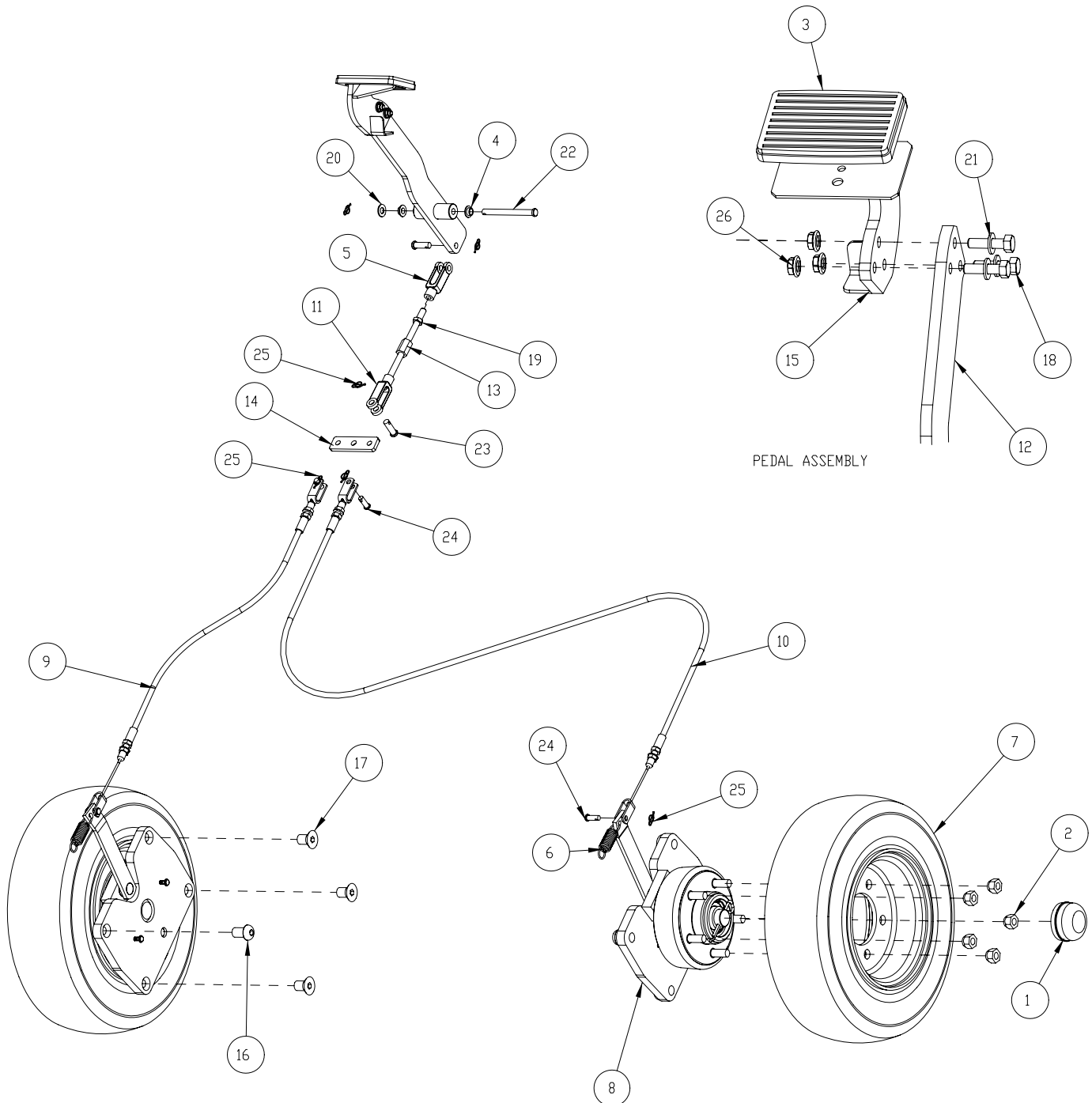
ENGINE KUBOTA V1505 DIESEL - FUEL PUMP, SOLENOID, AND SPEED CONTROL LEVER . . . . . 214

WARRANTY . . . . . 217

**STANDARD ABBREVIATIONS**

°C-Degrees Celsius	INFO-Information
°F-Degrees Fahrenheit	INT-Internal or Interior
12V-12 Volts DC	LG-Long
AR-Abrasion Resistant	LH-Left Hand
ASSY-Assembly	LPG-Liquefied Petroleum Gas
ATO-Standard Auto Fuse Type	LP-Liquefied Petroleum
Also called ATC	M8x1-Indicates Metric threads, 8mm Dia with a 1mm thread pitch
BHSCS-Button Head Screw SS	MM-Millimeters
BLK-Black	MNT-Mount
BLT-Belt	MS-Mld Size
BR-Brass or Broom or Brush	OD-Outside Diameter
BRM-Broom	PLTD-Plated
BRKT-Bracket	REV-Reverse
CB-Curb Broom	RH-Right Hand
CCW-Counter Clockwise	ROT-Rotation
CI-Cubic Inch	RTR-Rotary Trash Relocator
CW-Clockwise Rotation	SCR-Screw
CYL-Cylinder	SC-Scrubber
DEG-Degrees	SP-Service Part
DIA-Diameter	SPDT-Single Pole Double Throw
DPDT-Double Pole Double Throw	SPST-Single Pole Single Throw
ELEC-Electric	SS-Stainless Steel
ES-Elastic Stop, also Nyloc	STR-Straight
EXT-Exterior or Extended	ST-Straight
FI-Fuel Injection	SUB-Sub Assembly
FS-Full Size	THD-Thread
FTG-Fitting	THK-Thick
FWD-Forward	THRU-Through
REV-Reverse	UNC-Unified Nat'l Coarse Threads
GAL-US Gallon (3.79 Liters)	UNF-Unified Nat'l Fine Threads
GOV-Governor	V1505-Kubota Diesel Engine
HD-Head	GM1.6L-General Motors LP / Gasoline Engine
HD-Heavy Duty	W/-With
HOP-Hopper	WELD-Weldment
HSS-High Speed Steel	W/O-Without
HT-High Temperature	SP-Zinc Plated
HT-Height	
HYD-Hydraulic	
ID-Identification	
ID-Inside Diameter	
IMP-Impeller	

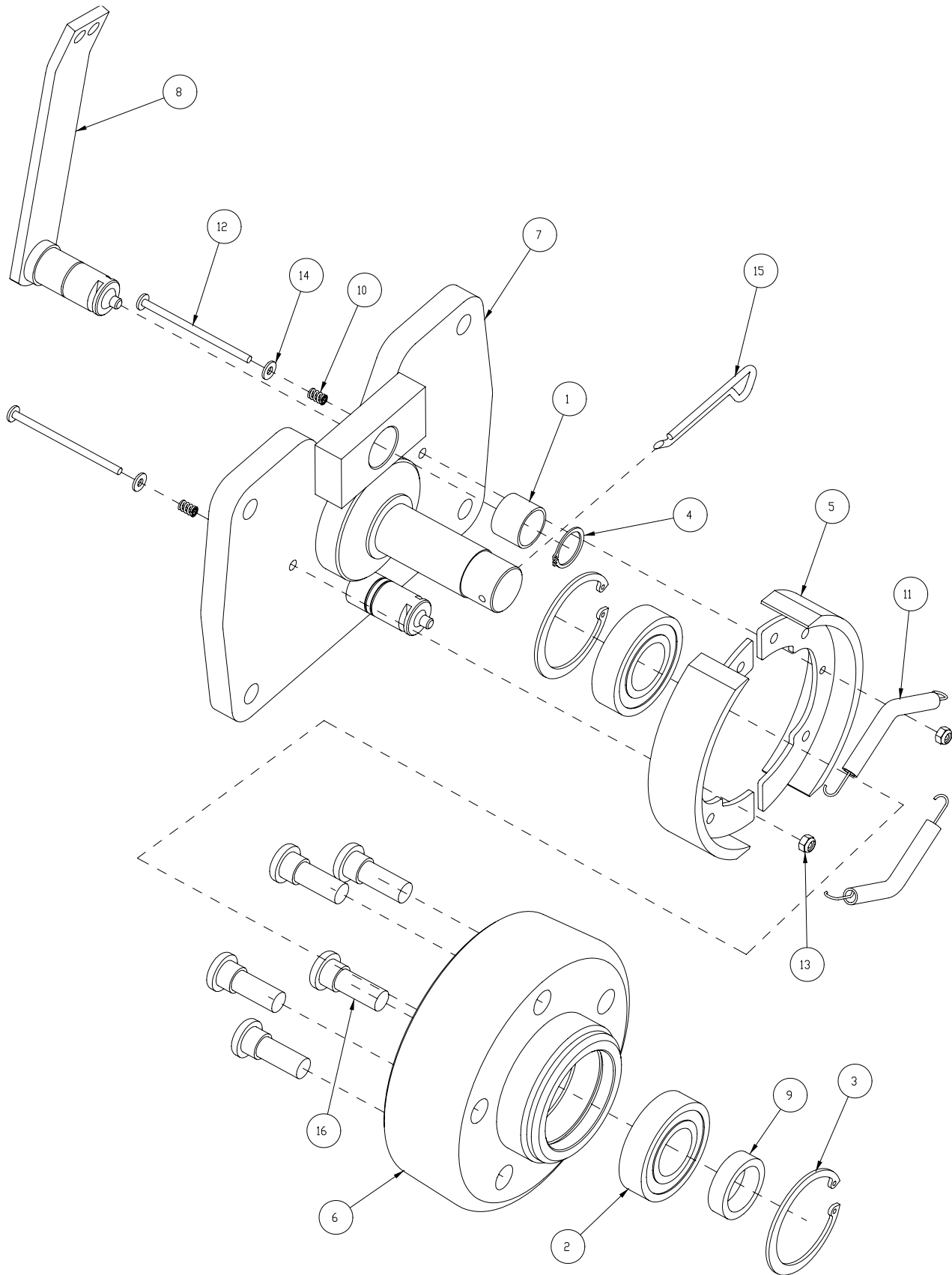
**FRONT AXLE GROUP - 3343075, REVISION D**





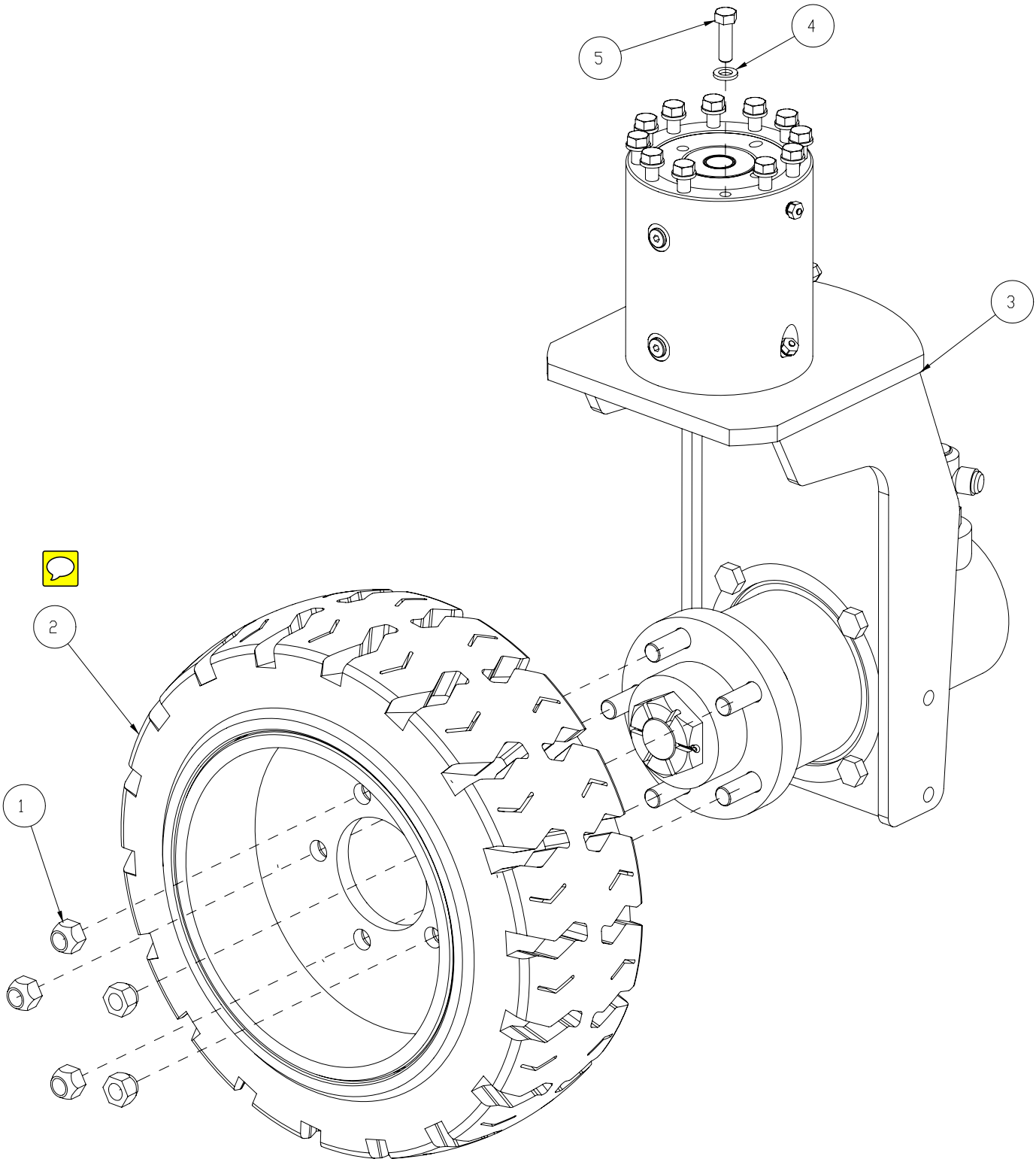
FRONT AXLE GROUP - 3343075, REVISION D			
ITEM	PART NO.	REQ'D	DESCRIPTION
1	3300369	2	CAP-HUB, 2.44" DIA.
2	3300411	10	NUT-LUG 1/2-20
3	3300413	1	PAD-BRAKE PEDAL
4	3300414	2	BUSHING-FLNG 3/8 NYLON
5	3301447	1	CLEVIS-CABLECRAFT AC-218
6	3301517	2	SPRING-EXT BRAKE LEVER
7	3301525	2	ASSY-TIRE&RIM SOLID FS/MS
8	3318673	2	SUB-FRT AXLE ASSY
9	3341045	1	CABLE-RH BRAKE
10	3341046	1	CABLE-LH BRAKE
11	3341051	1	CLEVIS-3/8-24 LH
12	3341320	1	WELD-LOWER BRAKE ARM
13	3341335	1	WELD-BRAKE ADJ. ROD
14	3341337	1	BAR-EQUALIZER BRAKES
15	3342666	1	WELD-UPPER BRAKE ARM
16	3400006	2	SCREW BH 5/8-11 X 1.0 LG
17	3400011	6	SCREW-FLAT HEAD 5/8-11 X 1.00, SOC ZP
18	3400034	3	SCR-HEX,5/16-18X1.25 ZP
19	3400075	1	NUT-HEX JAM 3/8-24 ZP
20	3400087	1	WASHER 3/8 ID .81 OD X .065 THK
21	3400088	3	WASHER 5/16 ID .688 OD X .065 THK
22	3400114	1	PIN-CLEVIS 3/8 X 4.00 ZP
23	3400117	2	PIN-CLEVIS 3/8 X 1-1/8 ZP
24	3400118	4	PIN-CLEVIS 5/16 X 7/8 ZP
25	3400125	7	PIN-COTTER 3/8 RUE RING
26	3400390	3	NUT-FLANGE LOCK 5/16-18

**FRONT AXLE ASSEMBLY - 3318673, REVISION A**



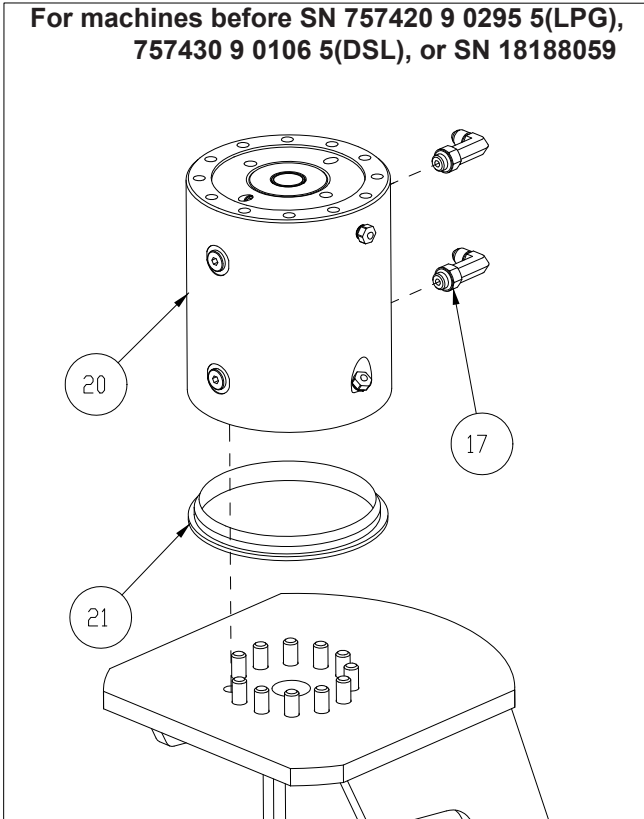
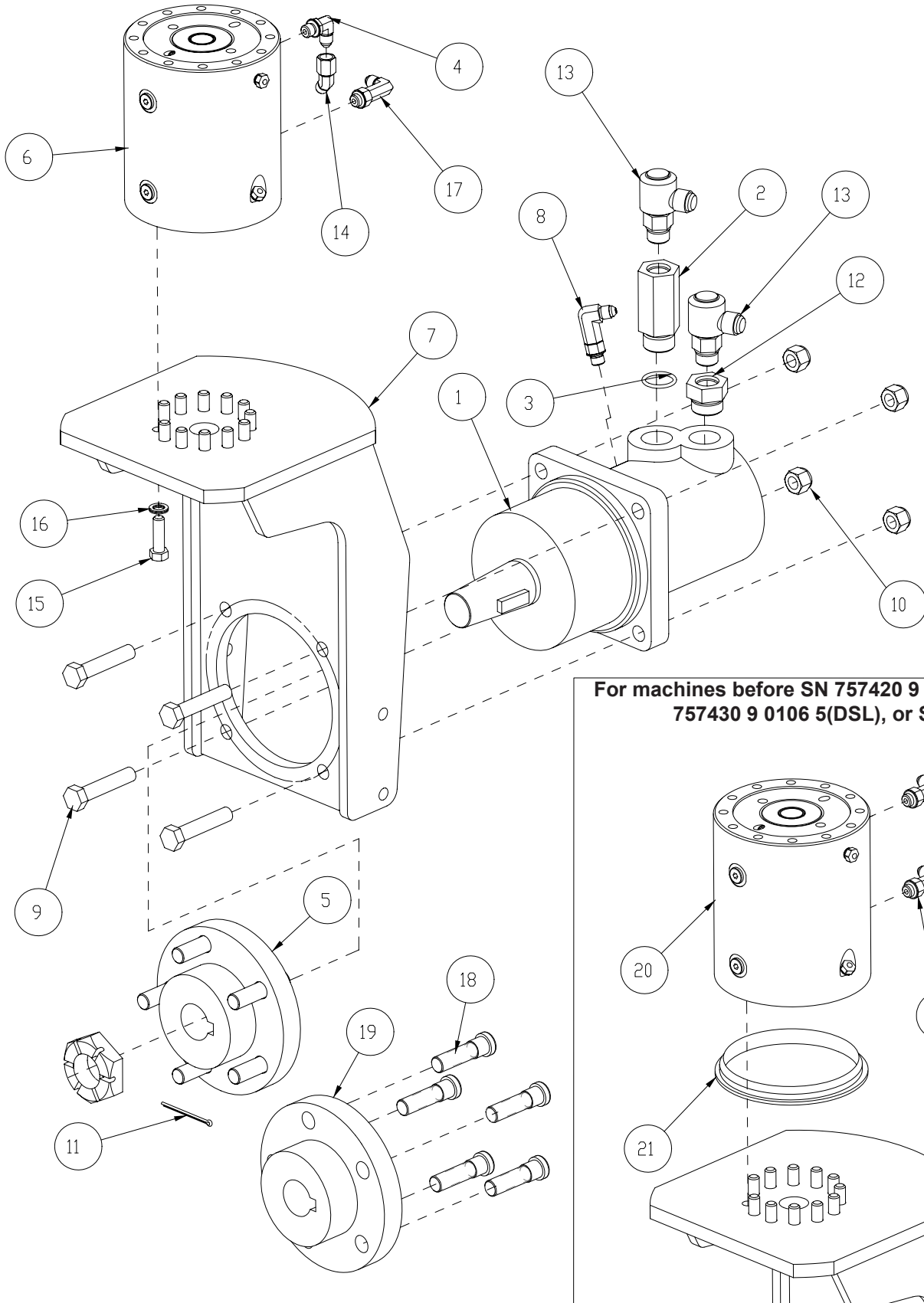
FRONT AXLE ASSEMBLY - 3318673, REVISION A			
ITEM	PART NO.	REQ'D	DESCRIPTION
1	3300410	1	BUSHING-1.00 OD X 0.87 ID
2	3300467	2	BEARING-BALL 2.44 OD X 1.
3	3300473	2	RETAINING RING, INT 2.44
4	3300484	1	RETAINING RING, EXT 0.87
5	3300523	2	SHOE-BRAKE
6	3300787	1	HUB-FRONT WHEEL PNTD
7	3300852	1	WELD-AXLE FRONT PNTD
8	3300870	1	ASSY-BRAKE LEVER PLTD
9	3300876	1	SPACER-AXLE FRONT MACH &
10	3301518	2	SPRING-COMP BRAKE SHOE
11	3301519	2	SPRING-EXT BRAKE SHOE
12	3400060	2	SCR-THM # 8-32 X 3.00 SS
13	3400082	2	NUT-HEX #8-32 ES ZP
14	3400096	2	WASHER-FLAT #8 ZP
15	3400120	1	PIN-COTTER 5/32 X 2.00 ZP
16	3400938	5	62/72-STUD FRONT WHEEL

**DRIVE WHEEL GROUP - 3342648, REVISION A**



DRIVE WHEEL GROUP - 3342648, REVISION A			
ITEM	PART NO.	REQ'D	DESCRIPTION
1	3316057	5	NUT-LUG 1/2-20
2	3316330	1	WHEEL/TIRE ASSY 16 X 6
3	3341666	1	SUB- 1800 / 5550 REAR DRIVE
4	3400101	12	WASHER-LOCK 3/8 SPLIT ZP
5	3401087	12	SCREW-HHM 3/8-16 X 1.25 LG ZP GR 8

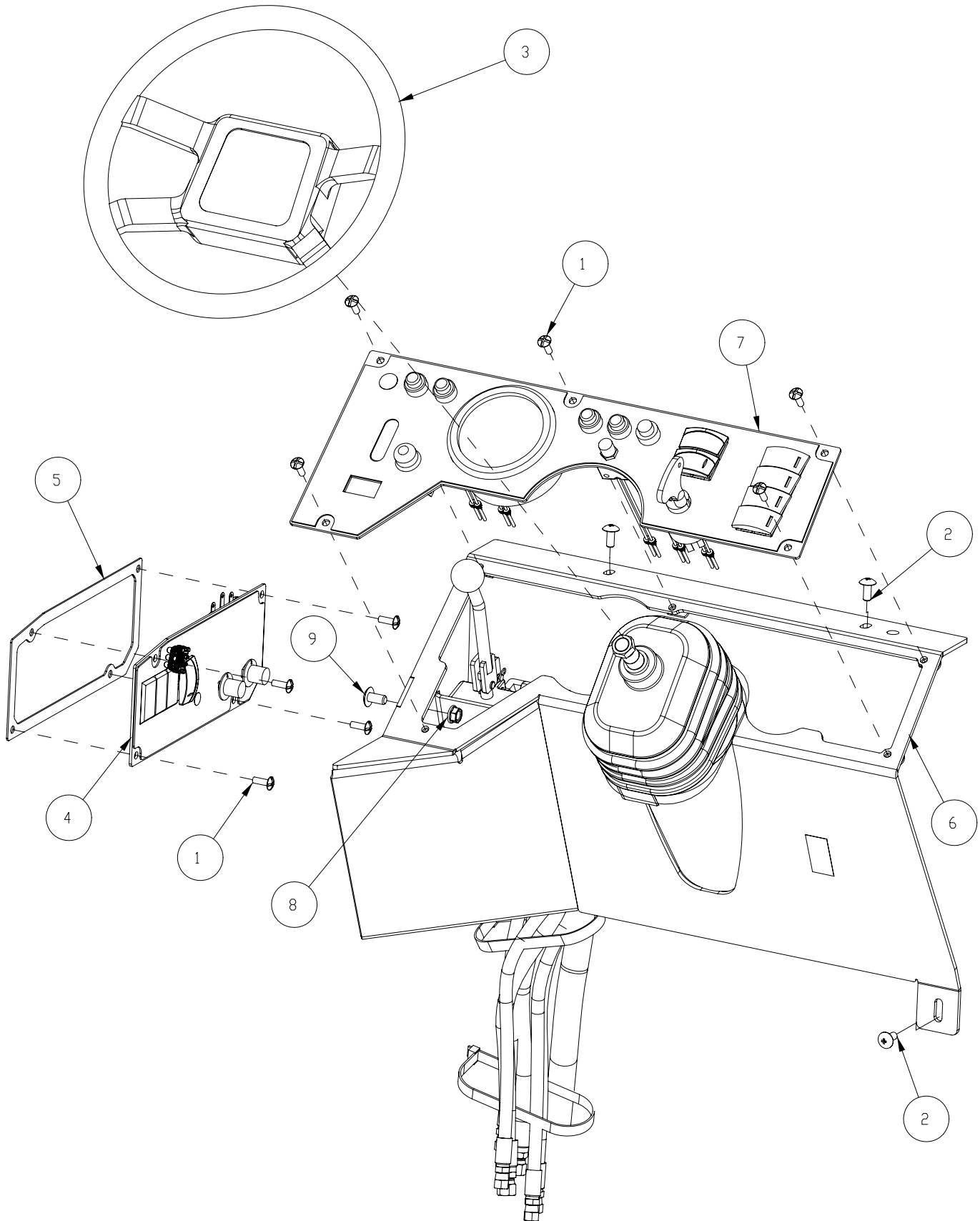
**REAR DRIVE ASSEMBLY - 3341666, REVISION F**





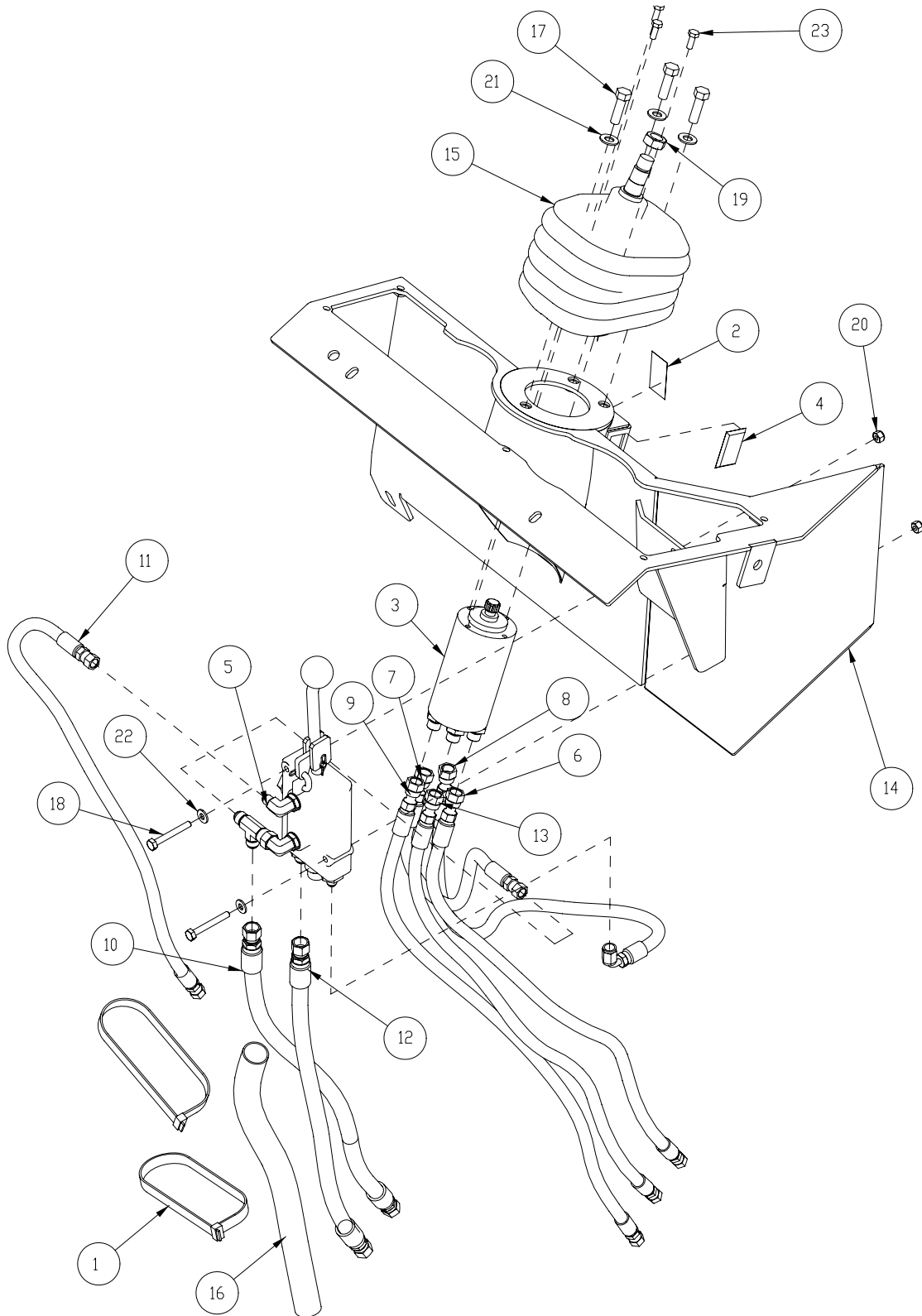
REAR DRIVE ASSEMBLY - 3341666, REVISION F			
ITEM	PART NO.	REQ'D	DESCRIPTION
1	3301533	1	MOTOR-HYD 4000 SERIES
2	3301834	1	FTG-SPECIAL WHEEL MTR
3	3302251	1	O-RING 0.924 ID X 0.116W
4	3302407	1	FTG-90 EL 4MORB X 4MJIC
5	3316064	1	ASSY-HUB REAR WHEEL SUB
6	3335730	1	ACTUATOR-ROTARY, 180°, W/
7	3341202	1	WELD-REAR STEER FORK
8	3343062	1	FTG-1/4MPT X #4M JIC LPG
9	3400019	4	SCR-HEX 1/2-13 X 2.50 ZP
10	3400078	4	NUT-HEX 1/2-13 ES ZP
11	3400122	1	COTTER PIN 1/8 X 2
12	3400167	1	FTG-12MORB X 8FORB
13	3400169	2	FTG-SWIVEL 8MORB X 8JIC
14	3400248	1	FTG-SWIVEL 45 ELL #4JIC 1/4
15	3401087	12	SCREW-HHM 3/8-16 X 1.25 L
16	3401570-9	12	WASHER-NORD-LOCK, 3/8, ZP
17	3401585	1	FTG-90 EL 4MORB X 4MJIC
18	3316059	5	STUD-REAR WHEEL
19	3316056	1	HUB-REAR WHEEL FULL PNTD
20*	3321422	1	ACTUATOR-ROTARY L10 180 DEG
21*	3334360	1	SEAL-VS130 HELAC
<b>*NOTE: For machines before SN 757420 9 0295 5(LPG), 757430 9 0106 5(DSL), or SN 18188059</b>			

**CONSOLE GROUP - 3342964, REVISION \***



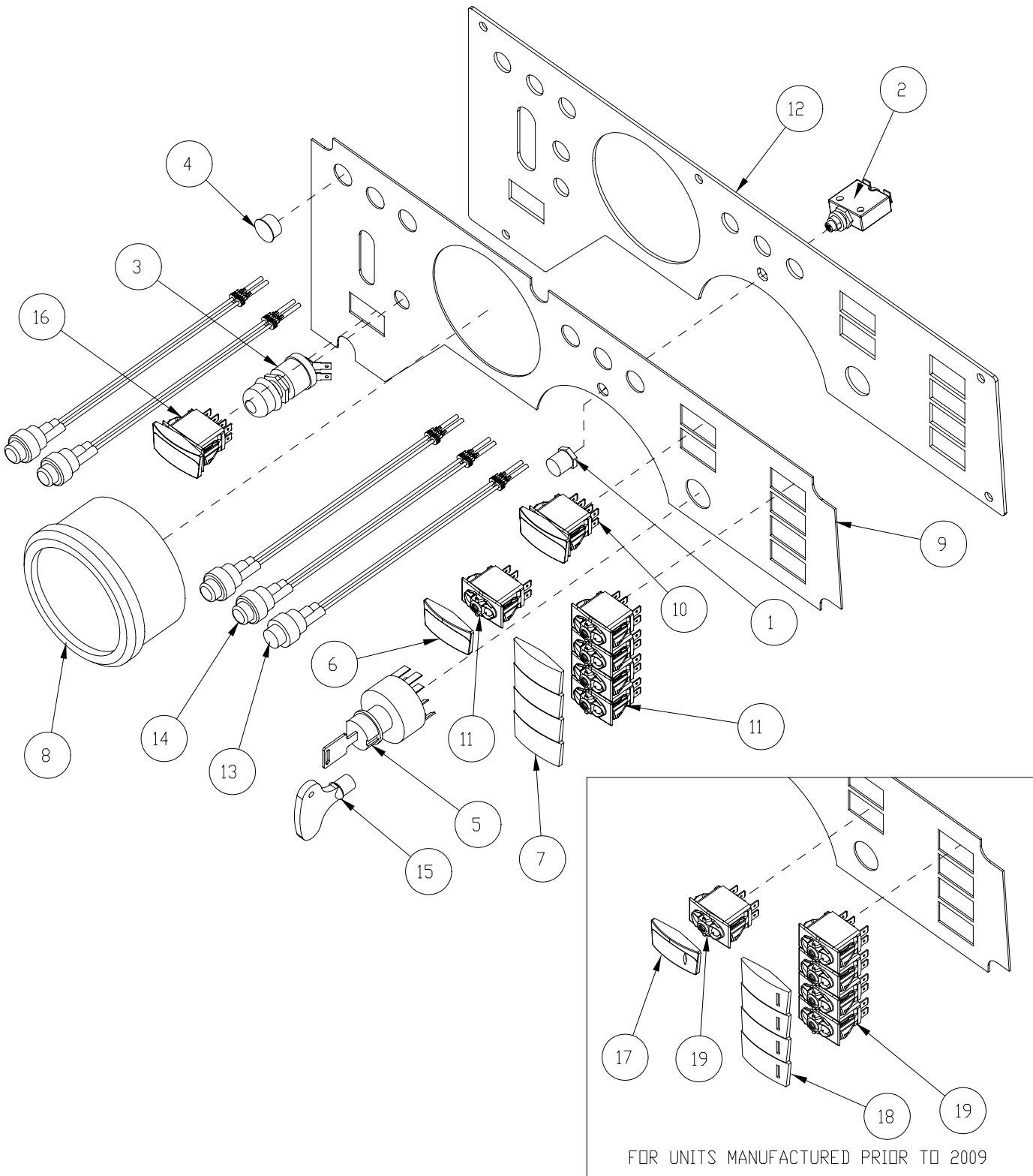
CONSOLE GROUP - 3342964, REVISION *			
ITEM	PART NO.	REQ'D	DESCRIPTION
1	710180	9	SCR-MC TR HD 1/4-20X.75 STL ZINC
2	710197	3	SCREW TRUSS HEAD 5/16-18 X .75 PH
3	3338215	1	WHEEL-STEERING W/COVER
4	3342713	1	SUB-AUXILARY PANEL, 5550/1800
5	3342721	1	GASKET-AUX PANEL
6	3342810	1	SUB-CONSOLE ASSY 1800/5550
7	3343910	1	SUB-INSTRUMENT PANEL, CORE 50 (DIESEL)
	3342909	1	SUB-INSTRUMENT PANEL 1800 (GAS AND LPG MODEL)
8	3400392	1	NUT-FLANGE LOCK 3/8-16
9	3402066	1	SCREW TRUSS HEAD 3/8-16 X 3/4 PH

**CONSOLE ASSEMBLY - 3342810, REVISION E**



CONSOLE ASSEMBLY - 3342810, REVISION E			
ITEM	PART NO.	REQ'D	DESCRIPTION
1	3302493	2	TIE-WIRE, 8 LG
2	3303495	1	DECAL-QUALITY CHECK
3	3321437	1	STEERING UNIT-DANFOSS OSPM-50-PB
4	3323529	1	PLUG-CARLING CONTURA SWITCH
5	3341661	1	SUB-HYD VALVE, HOPPER LIFT
6	3341766	1	HOSE - .25 AR 75.0" ST ORFS ST#4
7	3341767	1	HOSE - .25 AR 44.0" ST ORFS ST#4
8	3341768	1	HOSE - .25 AR 16.0" ST ORFS 90#4
9	3341769	1	HOSE - .25 AR 19.0" ST ORFS ST#6
10	3341771	1	HOSE - .375 AR 37.5 ST#6 ST#6
11	3341773	1	HOSE - .25 AR 73.0 ST#4 ST#4
12	3342060	1	HOSE - .375 AR 80" ST#6 ST#6
13	3342062	1	HOSE - .25 AR 44.5" ST ORFS ST#4
14	3342575	1	WELD-CONSOLE
15	3343165	1	COLUMN, TILT STEERING
16	3343830	1	SLEEVE- HOSE NYLON 1"-1-1/8" X 18"
17	3400029	3	SCR-HEX 3/8 -16X1.25 ZP
18	3400039	2	SCR-HEX,1/4-20X2.00 ZP
19	3400074	1	NUT-HEX JAM 5/8-18 ZP
20	3400081	2	NUT-HEX 1/4-20 ES ZP
21	3400087	3	WASHER 3/8 ID .81 OD X .065 THK
22	3400089	2	WASHER 1/4 ID .63 OD X .065 THK
23	3400737	3	SCR-HEX M6 X 1.0 X 16

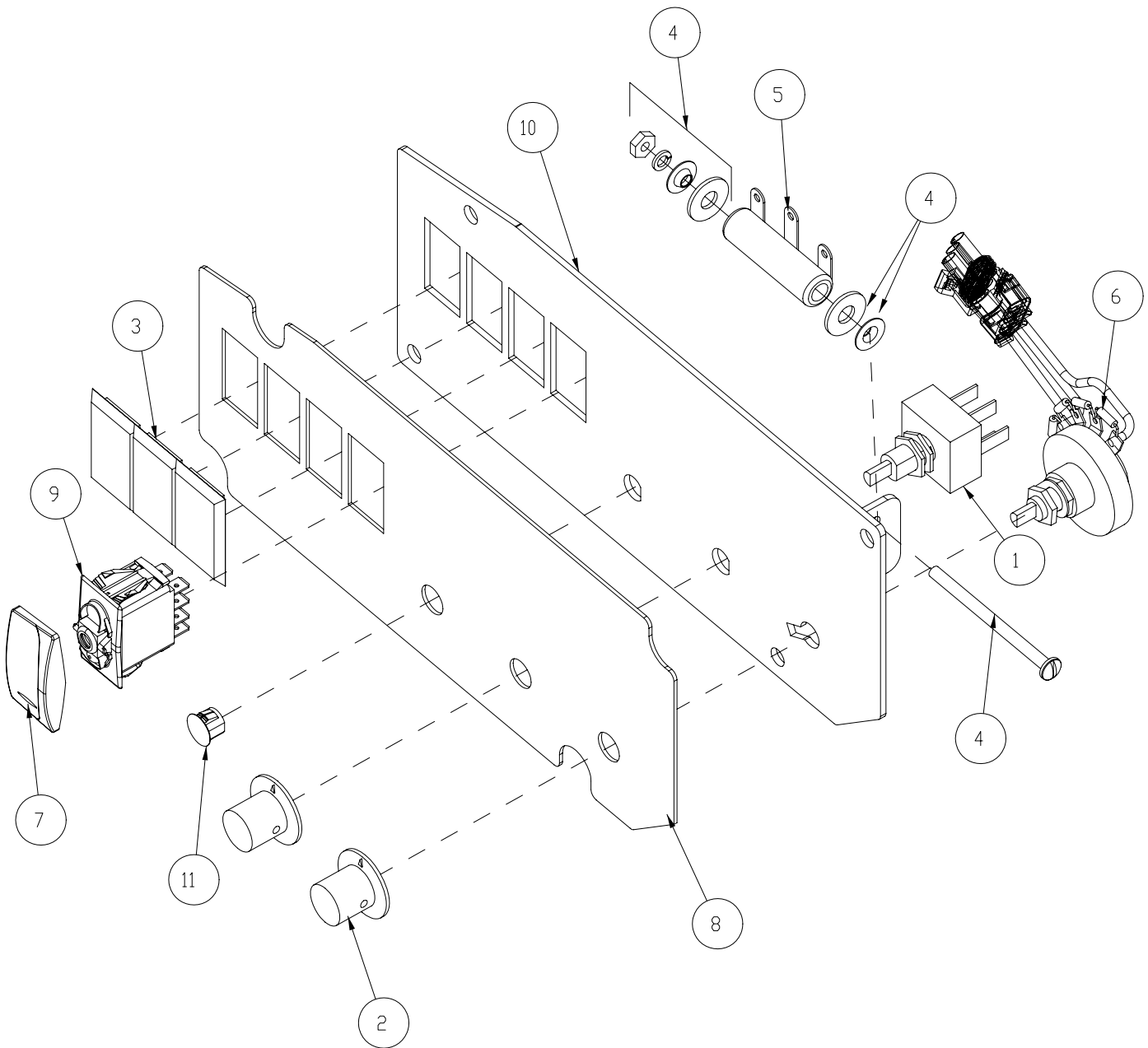
**INSTRUMENT PANEL ASSEMBLY - (GAS & LPG 3342909 REV D) (DIESEL 3343910 REV B)**





<b>INSTRUMENT PANEL ASSEMBLY - (GAS &amp; LPG 3342909 REV D) (DIESEL 3343910 REV B)</b>			
<b>ITEM</b>	<b>PART NO.</b>	<b>REQ'D</b>	<b>DESCRIPTION</b>
1	742748	1	CIRCUIT BREAKER BOOT
2	3343488	1	CIRCUIT BREAKER-30A, MAN RESET W/SCR
3	3300441	1	SWITCH-MOMENTARY STARTER
4	3301669	1	PLUG-HOLE 0.687
5	3316100	1	SWITCH-IGNITION W/O ACC, 3-POS
6	3344038	1	COVER-SWITCH ROCKER BLACK NO LENS
7	3344039	4	COVER-SWITCH ROCKER GREEN NO LENS
8	3342296	1	GAUGE-5 IN 1(AMP, V, HR, TEMP, OIL)
9	3342663	1	DECAL-INSTRUMENT PANEL 1800/5550
	3343911	1	DECAL-CONSOLE, CORE 50 (DIESEL ONLY)
10	3342703	1	SWITCH-ROCKER DPDT ON-OFF-ON NO LENS
11	3344036	5	SWITCH-BASE ROCKER DPST OFF-ON UNLIT
12	3342710	1	PANEL-INSTRUMENT, MAIN
13	3342904	1	ASSY-LIGHT WARNING AMBER
14	3342905	4	ASSY-LIGHT WARNING RED
15	3343016	1	KEY-LATCH 7MM SQUARE
16	3342702	1	SWITCH-ROCKER, DPDT CONTURA NO LENS
17*	3342273	1	SWITCH COVER-BLACK, CLEAR LENS
18*	3342275	4	SWITCH COVER-GREEN, CLEAR LENS
19*	3342705	5	SWITCH BASE-DPST, ON-OFF WITH LIGHT
*NOTE: FOR UNITS MANUFACTURED PRIOR TO 2009			

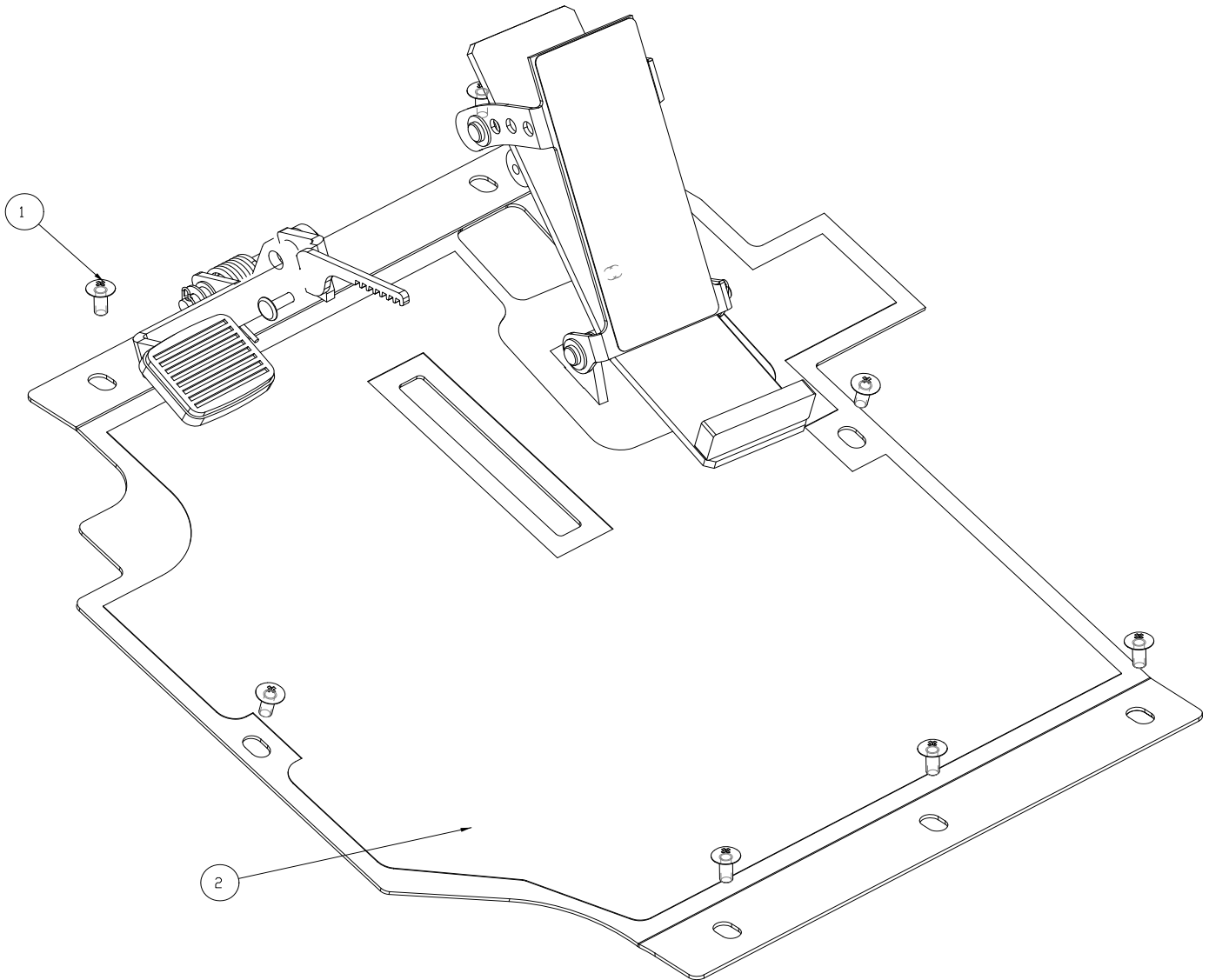
**AUXILIARY CONTROL PANEL ASSEMBLY - 3342713, REVISION F**



**AUXILIARY CONTROL PANEL ASSEMBLY - 3342713, REVISION F**

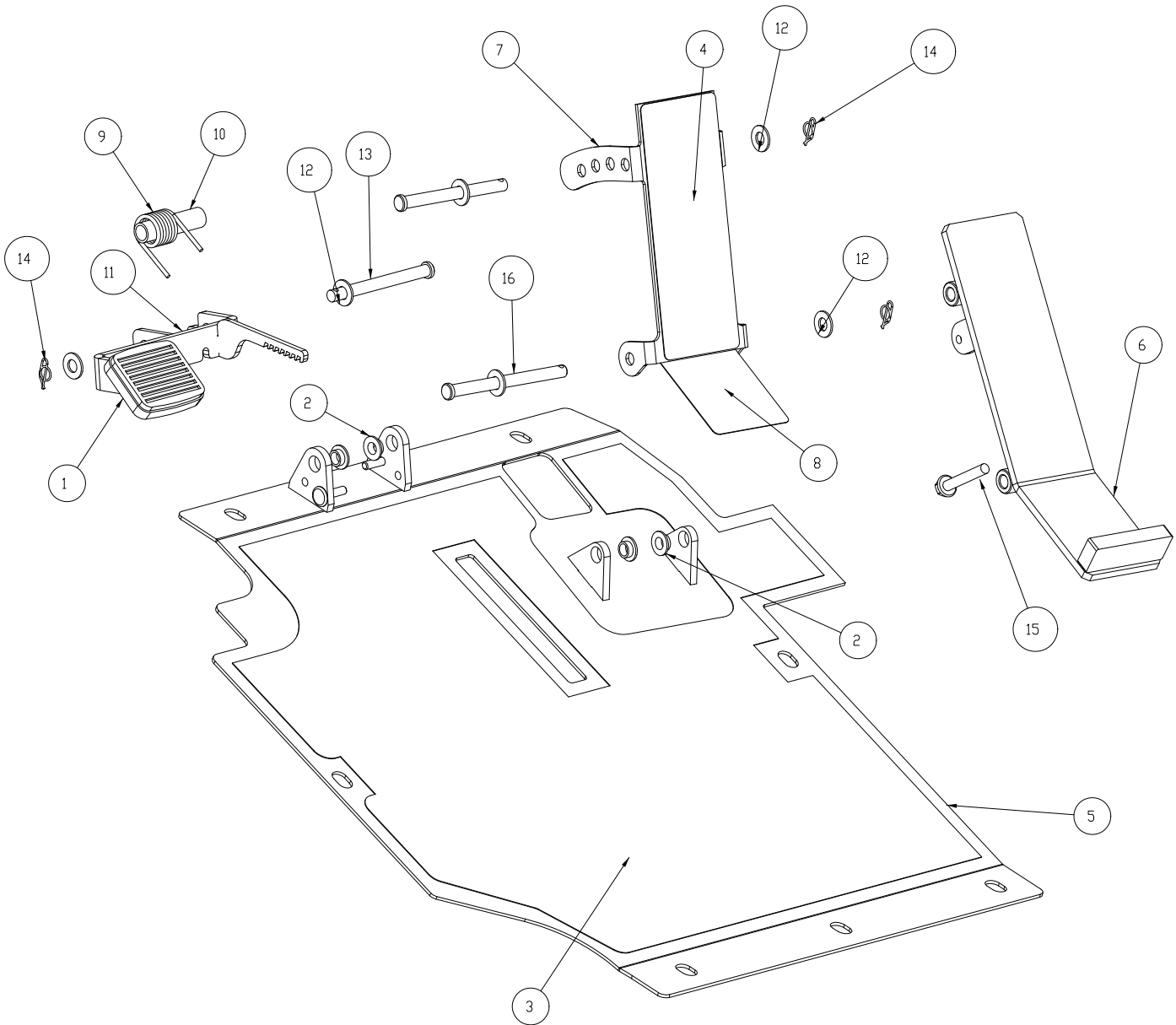
ITEM	PART NO.	REQ'D	DESCRIPTION
1	3303072	1	SWITCH-ROTARY 3-SPD
2	3303073	2	KNOB-ROTARY SWITCH
3	3323529	3	PLUG-CARLING CONTURA SWITCH
4	3323983	1	RESISTOR HARDWARE KIT
5	3323992	1	RESISTOR-ADJUST 25W 3.0 OHM
6	3341133	1	SWITCH-ROTARY SCRUBDECK PRESSURE
7	3342273	1	SWITCH COVER-BLACK, CLEAR LENS
8	3342664	1	DECAL-SIDE PANEL 5550/1800
9	3342704	1	SWITCH BASE-DPDT ON-NONE-ON
10	3342715	1	WELD-AUX PANEL
11	3343688	1	PLUG - D SHAPE, BLACK PLASTIC

**FLOOR BOARD GROUP - 3342647, REVISION \***



FLOOR BOARD GROUP - 3342647, REVISION *			
ITEM	PART NO.	REQ'D	DESCRIPTION
1	710197	7	SCREW TRUSS HEAD 5/16-18 X .75 PH ZP
2	3342642	1	SUB-FLOORPAN 1800 / 5550

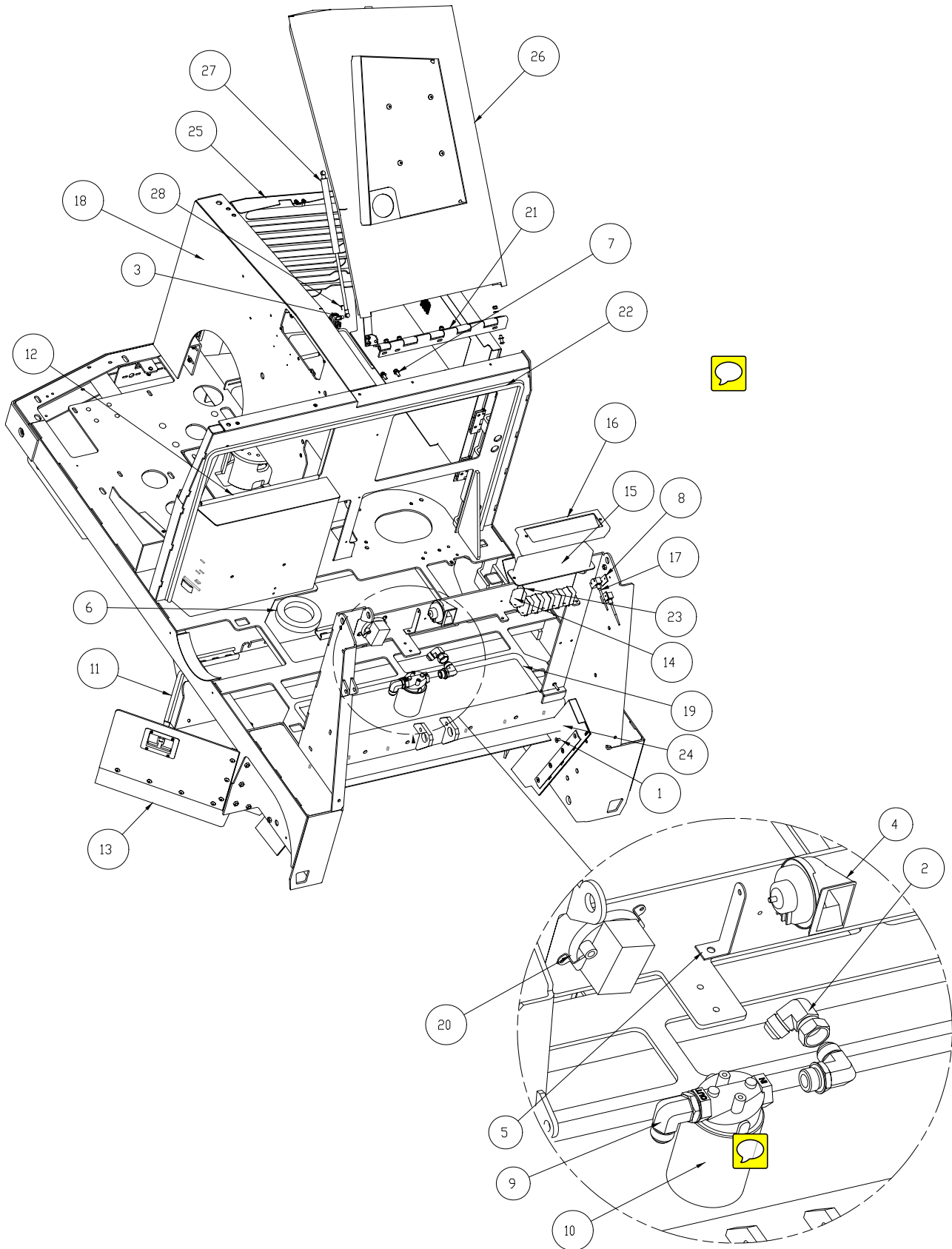
**FLOOR PAN ASSEMBLY - 3342642, REVISION B**





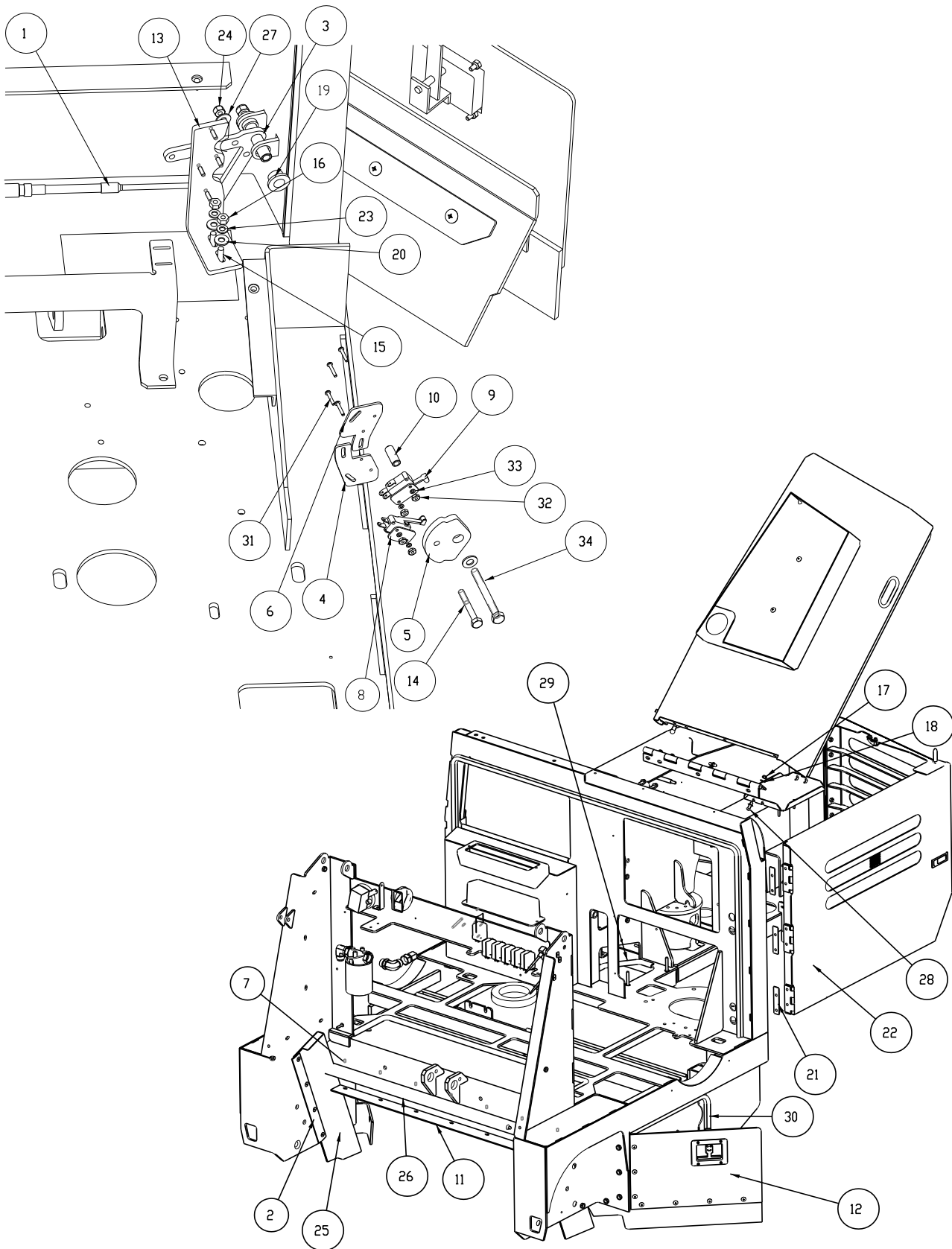
FLOOR PAN ASSEMBLY - 3342642, REVISION B			
ITEM	PART NO.	REQ'D	DESCRIPTION
1	210142	1	PEDAL PAD
2	3300414	4	BUSHING-FLNG 3/8 NYLON
3	3341048	1	ANTI-SLIP PAD-FLOORPAN
4	3341091	1	DECAL-FWD/REV PEDAL
5	3341326	1	WELD-FLOORPAN 5550
6	3342030	1	WELDMENT-FWD/REV PEDAL
7	3342033	1	PLT-FWD/REV ADJ
8	3342051	1	DECAL-FWD/REV PEDAL
9	3342299	1	SPRING-TORSION
10	3342590	1	TUBE-5/8 OD X 14 GA WA X 2.44
11	3342643	1	WELD-BRAKE LOCK PEDAL
12	3400087	6	WASHER 3/8 ID .81 OD X .065 THK
13	3400114	2	PIN-CLEVIS 3/8 X 4.00 ZP
14	3400125	3	RUE RING-1/4 HEAVY ZP
15	3400311	1	SCR-HEX,5/16-18 X 1.75 ZP FULL T
16	3400734	1	PIN-CLEVIS 3/8 X 4.50 ZP

**FRAME GROUP - 3342960 PART 1, REVISION C**



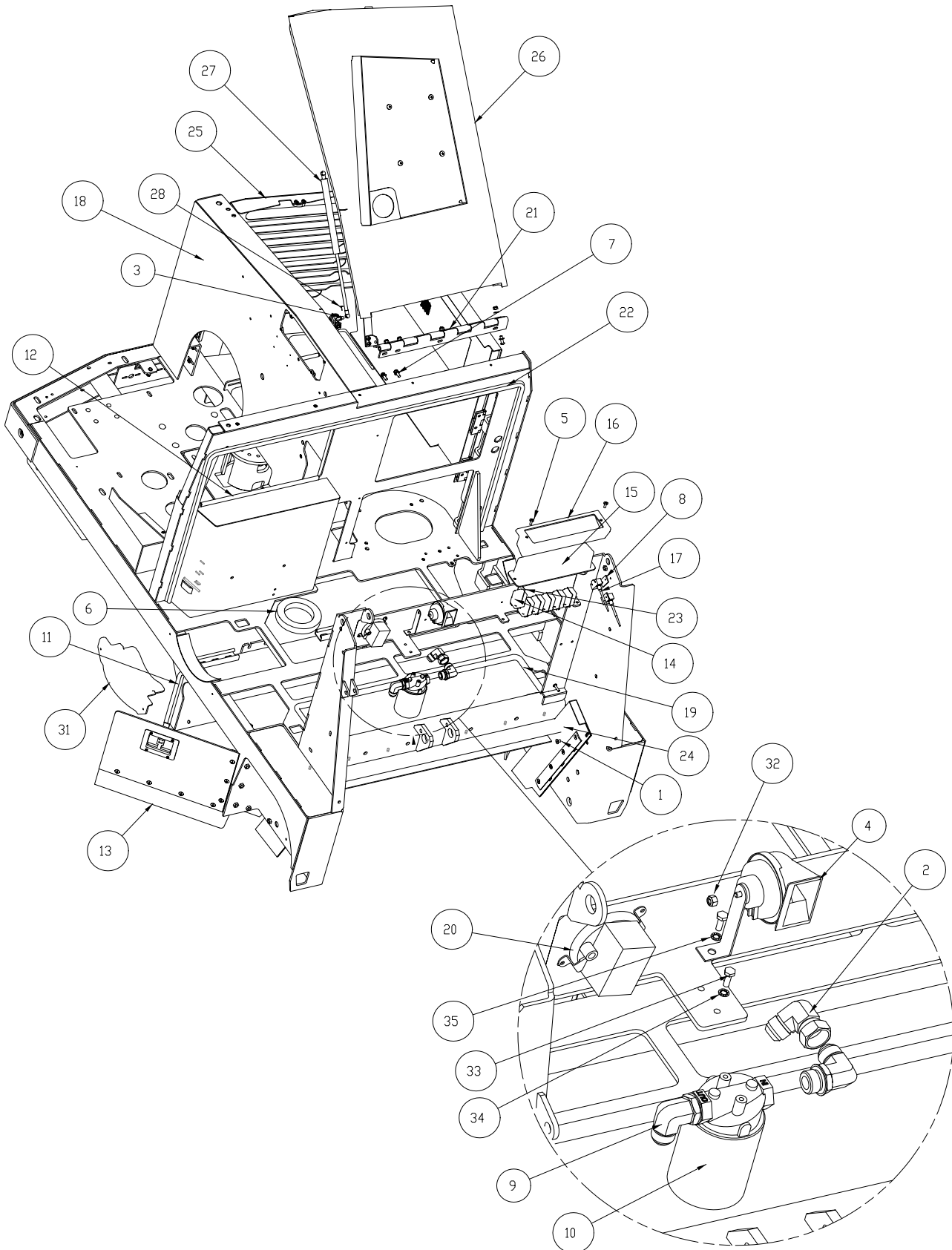
FRAME GROUP - 3342960 PART 1, REVISION C			
ITEM	PART NO.	REQ'D	DESCRIPTION
1	3400259	8	SCREW-FLAT HEAD 5/16-18 X 0.50, SOC ZP
2	3400636	1	FTG-ADAPTOR SWIVEL NUT ELBOW
3	3300376	1	STUD-BALL 10MM
4	3300379	1	HORN
5	710180	5	SCR-MC TR HD 1/4-20x.75 STL ZINC
6	3307005	1	GASKET-IMPELLER SW/A
7	3401069	8	SCREW_BHCS 5/16-18 X 1.0 LG ZP
8	3344090	2	PLT-WHISKER SWITCH COVER 1800/CORE 50
9	3338184	2	FTG-90 ELBOW 12MORB X 12MJIC
10	3339334	1	HYD FILTER ASSY
11	3343239	1	SEAL-BROOM DOOR, 26.5"
12	3343271	1	EDGING, VINYL .1875 X 18
13	3341653	1	SUB-RH BROOM DOOR
14	3342077	6	RELAY-12 VDC TPDT 10 AMP
15	3342227	1	COVER, RELAYS
16	3342228	1	COVER FLANGE, RELAY SWITCHES
17	3342546	2	SWITCH-WHISKER
18	3342548	1	WELD-FRAME MAIN 1800/5550
19	3343272	1	EDGING, VINYL .3125 X 49
20	3342706	1	SWITCH-PRESSURE, SERIES 1900
21	3343276	1	HINGE-WD 1.5 X .179 THK X 19.5 LG
22	3343306	1	WEATHERSTRIPPING, RUBBER, .88 X .69
23	3342926	6	RELAY-RETAINER CLIP
24	3343150	1	SEAL, LEFT HAND HOPPER SIDE
25	3343358	1	SUB-ENG GUARD, REAR (TIER 2 ENGINE) (For machines after SN 757410 7 0221 6(GAS), 757420 7 0193 4(LPG), 757430 9 0104 1 (DSL), or 16904077)
	3342229	1	SUB-ENG COVER, REAR (For machines before SN 757410 7 0221 6(GAS), 757420 7 0193 4(LPG), 757430 9 0104 1 (DSL), or 16904077)
26	3343365	1	SUB-ENG COVER, TOP, 1800
27	3343186	1	SPRING-GAS 8" STROKE, 19.7 LG, 200 LB
28	3343234	2	CLIP-GAS SPRING
29	708	1	RTV SILICONE 10 OZ TUBE (NOT SHOWN)
30	3401390	1	LOCTITE 242 (NOT SHOWN)
31	3342178	2	DRIP SHIELD, SOLUTION TANK 5550
32	3400081	4	NUT-HEX 1/4-20 ES ZP
33	3400042	4	SCR-HEX 1/4-20X.75 ZP
34	3400383	1	WASHER CONICAL SPRING 1/4
35	3400274	1	WASHER-STAR 1/4 ZP INT TEETH

**FRAME GROUP - 3342960 PART 2, REVISION C**



FRAME GROUP - 3342960 PART 2, REVISION C			
ITEM	PART NO.	REQ'D	DESCRIPTION
1	3344024	1	CABLE-ASSEMBLY FWD/REV
2	3300150	2	STRAP- HOPPER SIDE PNTD
3	3344148	1	WELD-LEVER FWE/AFT CABLE
4	3344149	1	PLT - FWD/REV SWITCH BOTT MNT
5	3344150	1	PLT-CAM FWD/REV SWITCH
6	3344151	1	PLT - FWD/REV SWITCH TOP MNT
7	3322188	7	INSERT 1/4-20 X .26 LG ZP
8	3335047	2	CLAMP-SWITCH
9	3344152	2	SWITCH-ROLLER FWD/REV
10	3344154	1	TUBE-KIT FWD/REV STANDOFF
11	3341311	1	STRAP-TOP HOPPER SEAL
12	3341652	1	SUB-LH BROOM DOOR
13	3344155	1	BRKT-PIVOT MOUNT FWD/REV 1800/CORE 50
14	3400039	1	SCR-HEX,1/4-20X2.00 ZP
15	3400040	2	SCR-HEX 1/4-20X1.00Z P
16	3400071	2	NUT-HEX 1/4-20 ZP
17	3400080	8	NUT-HEX 5/16-18 ES ZP
18	3400088	17	WASHER 5/16 ID .688 OD X .065 THK
19	3342632	2	BUSHING-FLNG 1/2 NYLON
20	3400089	2	WASHER 1/4 ID .63 OD X .065 THK
21	3342744	6	SHIM-HINGE
22	3342807	1	ASSY-EC, SIDE, 1800
23	3400103	2	WASHER-LOCK 1/4 SPLIT ZP
24	3400324	1	NUT-HEX 1/4-20-SS-ES
25	3343151	1	SEAL-RIGHT HAND HOPPER SIDE
26	3343152	1	HOPPER SEAL
27	3400383	1	WASHER CONICAL SPRING 1/4
28	3401069	8	SCREW_BHCS 5/16-18 X 1.0 LG ZP
29	3343238	1	EDGING VINYL TRIM
30	3343239	1	SEAL-BROOM DOOR, 26.5"
31	3401433	4	SCR-PAN,#5-40X0.75,PHL ZP
32	3401437	4	NUT-HEX #5-40 ZP
33	3401510	4	WSR-LOCK, #5, ZP
34	3401556	1	SCR-HEX 5/16-18 X 3.0

**FRAME GROUP - 3342960 PART 3, REVISION C**

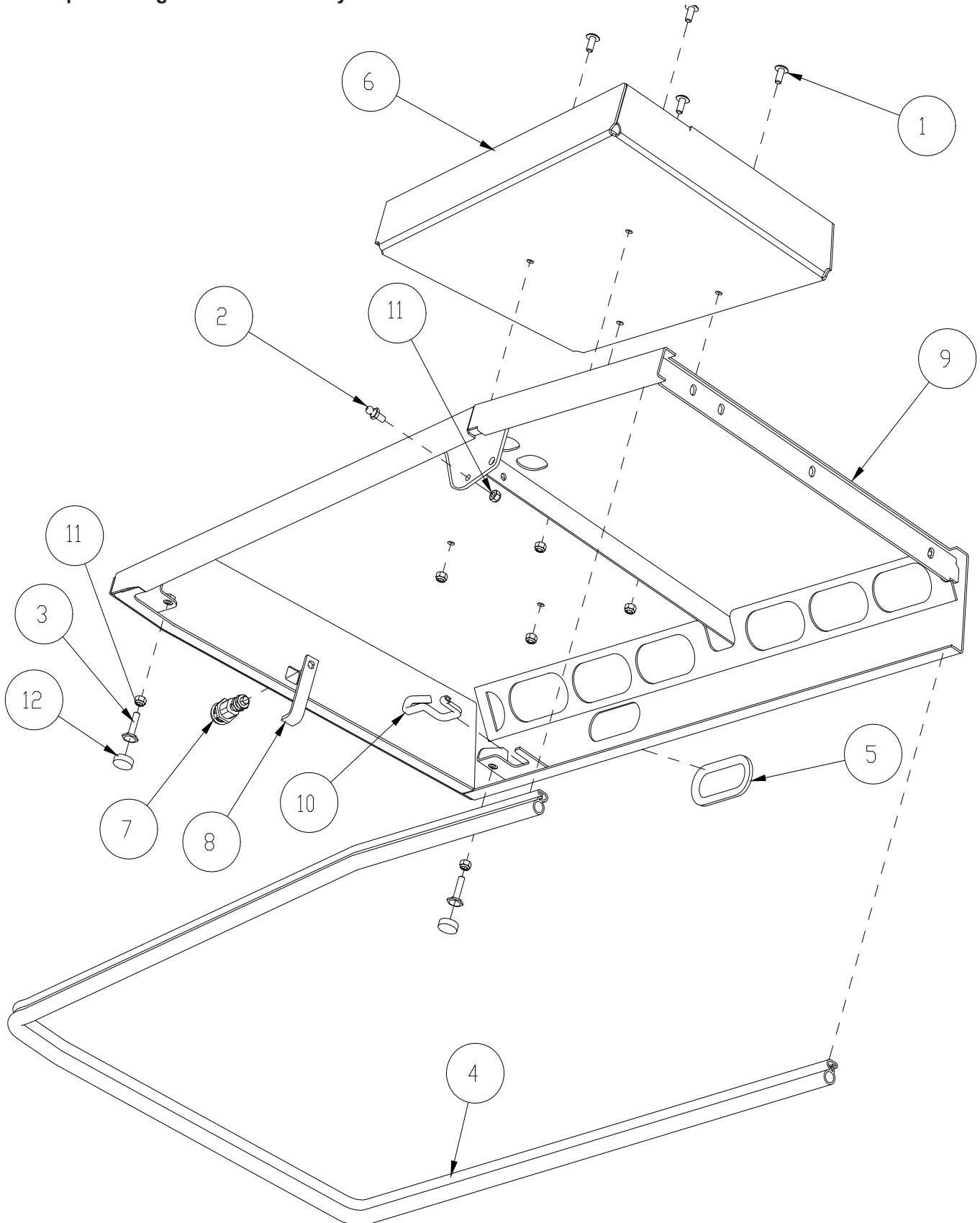


FRAME GROUP - 3342960 PART 3, REVISION C			
ITEM	PART NO.	REQ'D	DESCRIPTION
1	710036	4	SCR-MC 8-32 X 1.50 ST PL
2	3301076	1	HOLD DOWN-BATTERY 2-PIECE
3	3303002	1	HORN-BACK-UP
4	3304624	1	BUMPER-RUBBER CAP
5	3400034	3	SCR-HEX,5/16-18X1.25 ZP
6	3401092	1	LEVELER-3/8-16 X 3.0 LG
7	3339406	1	BATTERY GENERIC
8	3341159	2	ROD-BATTERY TIE DOWN
9	3341162	1	TRAY PAD-BATTERY
10	3341393	1	WELD-SWING FRAME LATCH
11	3342294	1	WELD-SWITCH COVER
12	3342506	1	HEAT SHIELD, BATTERY, 5550
13	3342546	4	SWITCH-WHISKER
14	3342632	2	BUSHING-FLNG 1/2 NYLON
15	3342641	1	ASSY-FUSE PANEL (1800)
16	3342992	1	ASSY-COVER-FUSE PANEL
17	3343283	1	SPRING-COMP .960 X 2.00 ZINC
18	3400071	10	NUT-HEX 1/4-20 ZP
19	3400079	1	NUT-HEX 3/8-16 ES ZP
20	3400080	16	NUT-HEX 5/16-18 ES ZP
21	3400082	4	NUT-HEX #8-32 ES ZP
22	3400085	2	NUT- WING 1/4-20 ZP
23	3400088	24	WASHER 5/16 ID .688 OD X .065 THK
24	3400096	8	WASHER-FLAT #8 ZP
25	3400277	2	WASHER-STAR #8 ZP INT TEETH



**ENGINE COVER, TOP ASSEMBLY - 3343365, REVISION B**

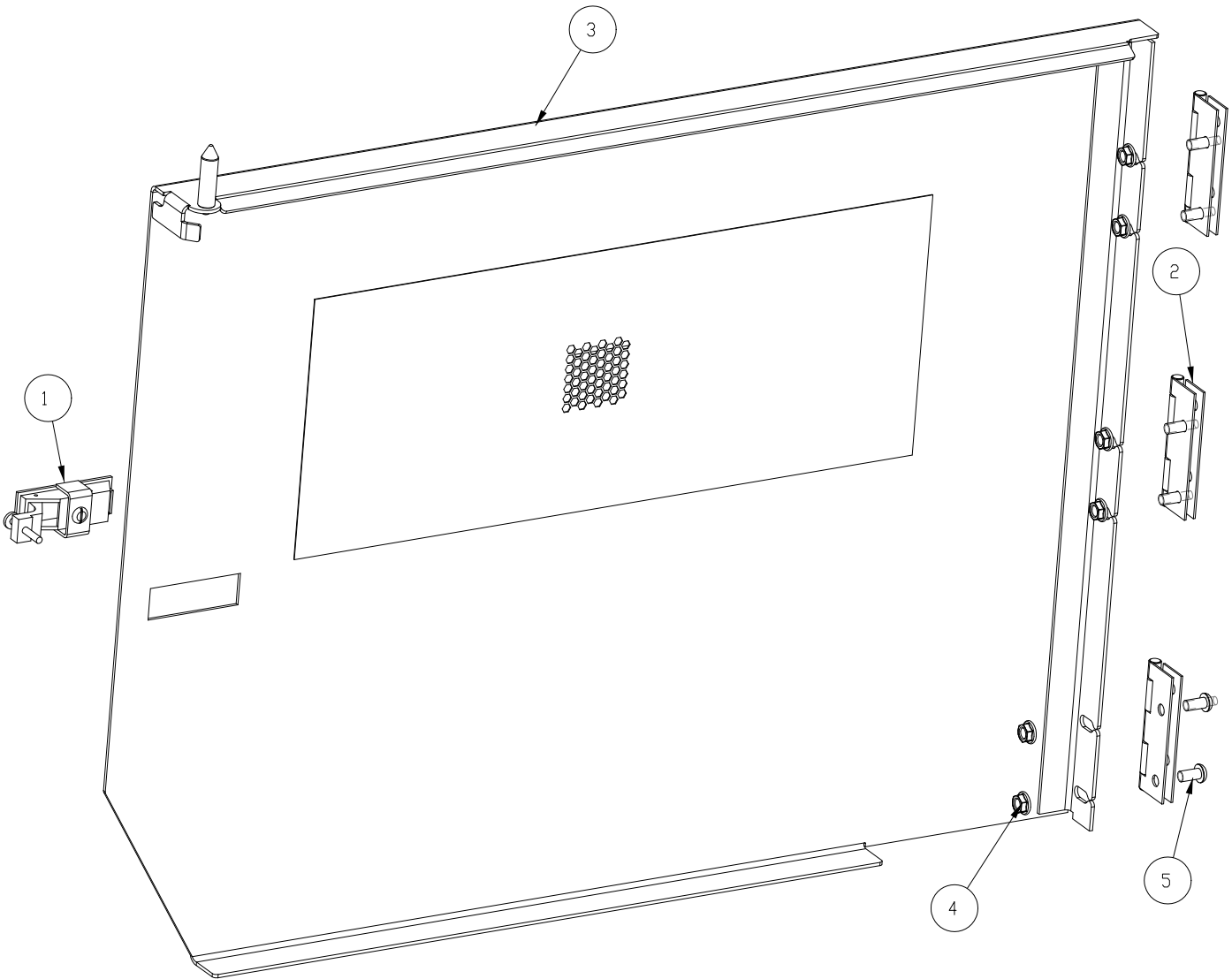
NOTE: Replaces Engine Cover assembly 3342808





<b>ENGINE COVER, TOP ASSEMBLY - 3343365, REVISION B</b>			
<b>ITEM</b>	<b>PART NO.</b>	<b>REQ'D</b>	<b>DESCRIPTION</b>
1	710197	4	SCREW TRUSS HEAD 5/16-18 X
2	3300376	1	STUD-BALL 10MM
3	3307639	2	LEVELER-5/16-18X1.5", 1" D
4	3342831	1	SEAL-TRIM
5	3342832	1	EDGING-VINLY 1/8 X 1/4
6	3342863	1	BOX, EC, TOP
7	3343017	1	LATCH, VISE ACTION, LARGE,
8	3343066	1	PAWL-LATCH, ENG COVER
9	3343366	1	WELD-ENG COVER, TOP, 1800
10	3344115	1	EDGING-VINYL TOP DOOR PIN
11	3400080	7	NUT-HEX 5/16-18 ES ZP
12	3401076	2	CAP-RUBBER, ADJ SCR
<b>NOTE: Replaces Engine Cover assembly 3342808</b>			

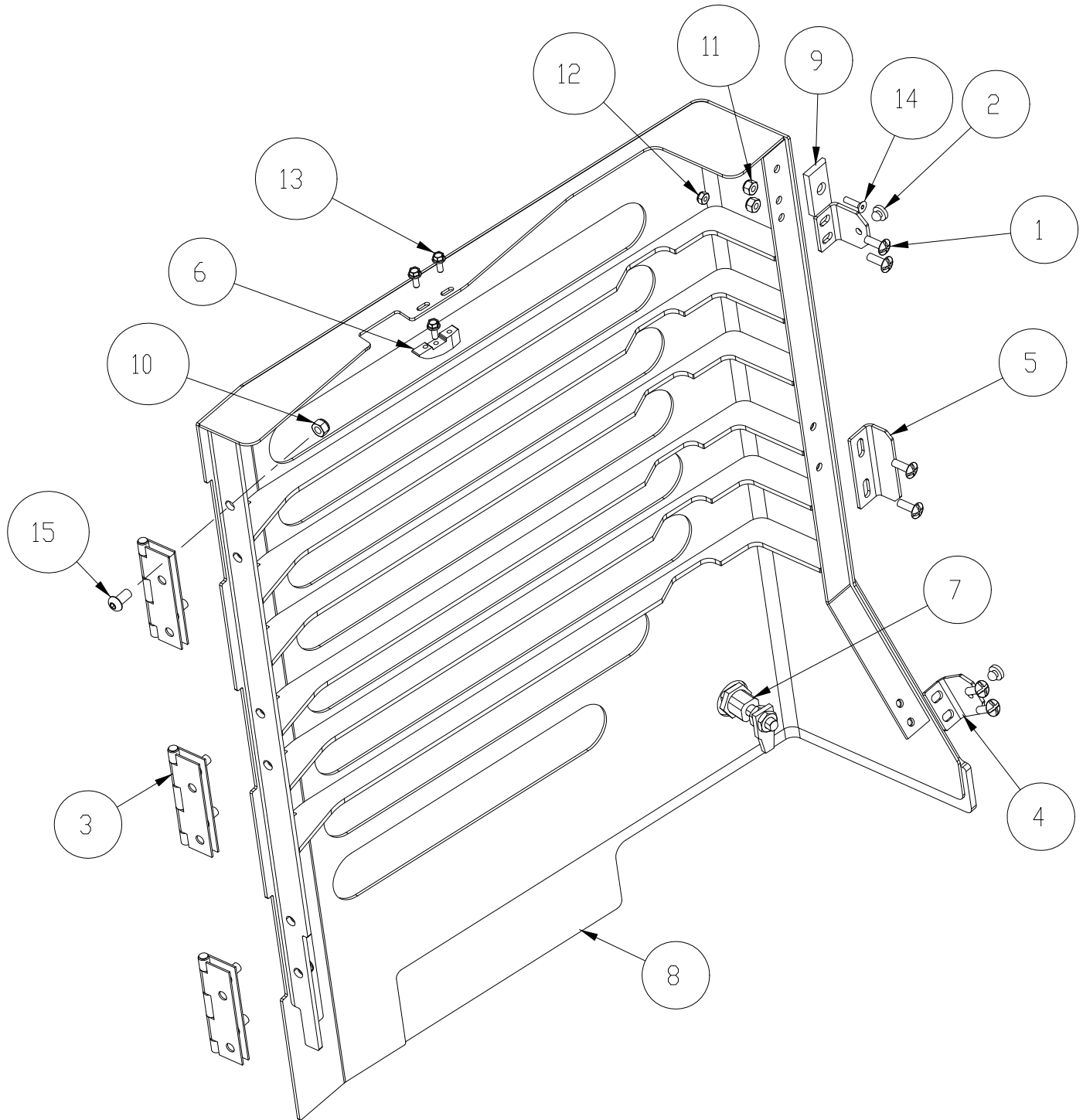
**ENGINE COVER, SIDE ASSEMBLY - 3342807, REVISION A**



ENGINE COVER, SIDE ASSEMBLY - 3342807, REVISION A			
ITEM	PART NO.	REQ'D	DESCRIPTION
1	3300380	1	LATCH ASSY.
2	3307513	3	HINGE-WD 1.25 X .06 W X 4 LG
3	3342822	1	WELD - EC, SIDE, 1800
4	3400390	6	NUT-FLANGE LOCK 5/16-18
5	3401061	6	SCREW_BHCS 5/16-18 X 5/8 LG SS

**REAR GUARD SUB ASSEMBLY (TIER 2 ENGINE) - 3343358, REVISION A**

**NOTE:** For machines after SN 757410 7 0221 6(GAS), 757420 7 0193 4(LPG), 757430 9 0104 1 (DSL), or 16904077



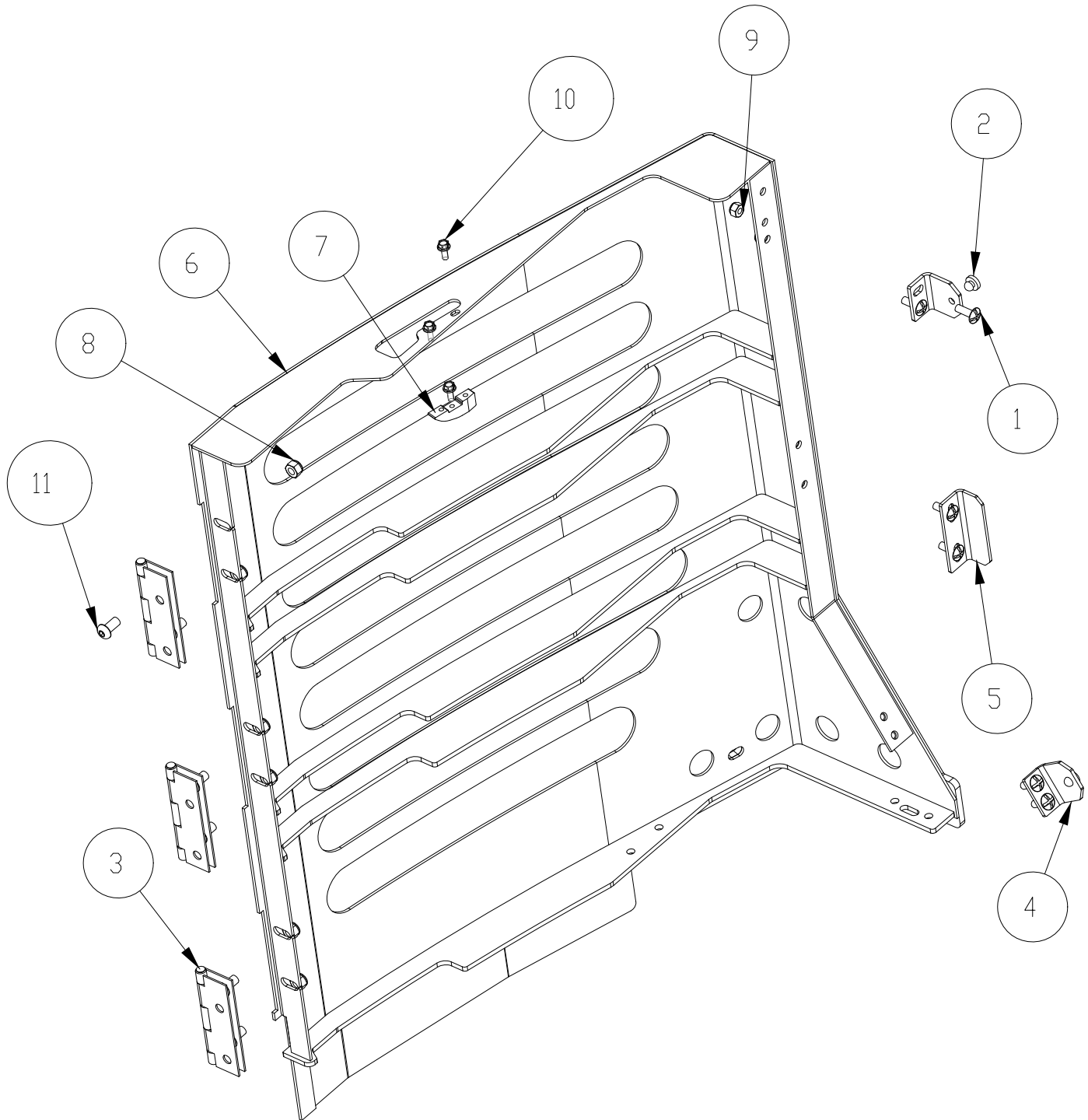
**REAR GUARD SUB ASSEMBLY (TIER 2 ENGINE) - 3343358, REVISION A**

ITEM	PART NO.	REQ'D	DESCRIPTION
1	710180	6	SCR-MC TR HD 1/4-20X.75 STL ZI
2	3300526	2	BUMPER - 1/4 ID X 1/8 THK
3	3307513	3	HINGE-WD 1.25 X .06 W X 4 LG
4	3341362	2	STOP-EC SIDE DOOR
5	3341363	1	DOOR STRIKE-EC SIDE DOOR
6	3342862	1	CATCH-PAWL LATCH
7	3343017	1	LATCH, VISE ACTION, LARGE, 7MM
8	3343340	1	WELD-GUARD-ENG, REAR
9	3343445	1	BUMPER-PLASTIC 1/4
10	3400080	6	NUT-HEX 5/16-18 ES ZP
11	3400081	6	NUT-HEX 1/4-20 ES ZP
12	3400172	1	NUT-HEX JAM #10-32 ES ZP
13	3400315	3	SCR-HEX 10-32 X 1/2 ZP
14	3400724	1	SCREW-FLAT HEAD 10-32 X 0.75,
15	3401061	6	SCREW_BHCS 5/16-18 X 5/8 LG SS

**NOTE: For machines after SN 757410 7 0221 6(GAS), 757420 7 0193 4(LPG), 757430 9 0104 1 (DSL), or 16904077**

**ENGINE COVER, REAR ASSEMBLY - 3342229, REVISION C**

**NOTE:** For machines before SN 757410 7 0221 6(GAS), 757420 7 0193 4(LPG), 757430 9 0104 1 (DSL), or 16904077

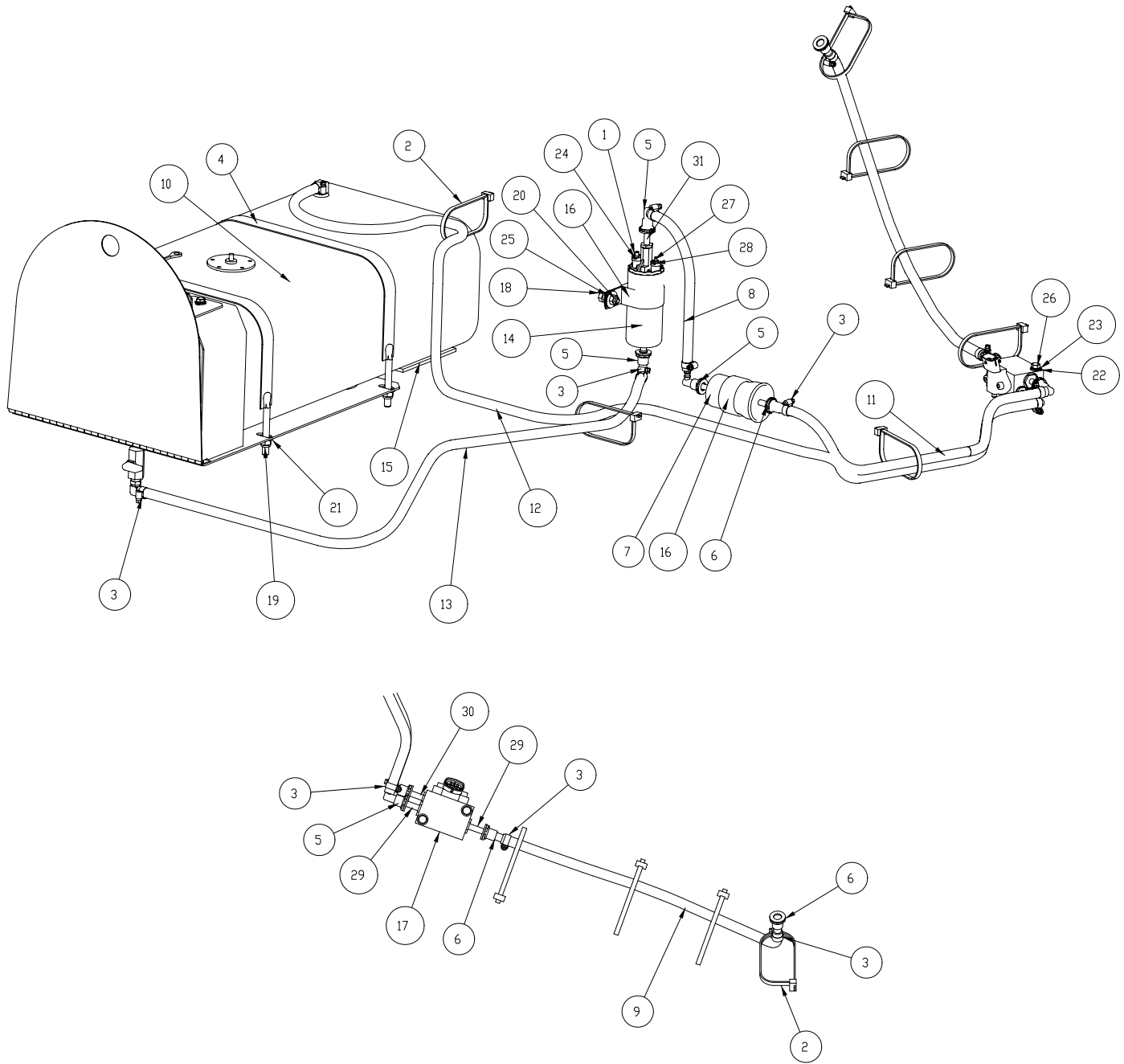


**ENGINE COVER, REAR ASSEMBLY - 3342229, REVISION C**

ITEM	PART NO.	REQ'D	DESCRIPTION
1	710180	6	SCR-MC TR HD 1/4-20X.75 STL
2	3300526	2	BUMPER - 1/4 ID X 1/8 THK
3	3307513	3	HINGE-WD 1.25 X .06 W X 4 L
4	3341362	2	STOP-EC SIDE DOOR
5	3341363	1	DOOR STRIKE-EC SIDE DOOR
6	3342230	1	WELDMENT-REAR DR ENG COVER
7	3342862	1	CATCH-PAWL LATCH
8	3400080	6	NUT-HEX 5/16-18 ES ZP
9	3400081	6	NUT-HEX 1/4-20 ES ZP
10	3400315	3	SCR-HEX 10-32 X 1/2 ZP
11	3401061	6	SCREW_BHCS 5/16-18 X 5/8 LG

**NOTE: For machines before SN 757410 7 0221 6(GAS), 757420 7 0193 4(LPG), 757430 9 0104 1 (DSL), or 16904077**

**FUEL SYSTEM GASOLINE GROUP GM1.6L - 3343553, REVISION A**

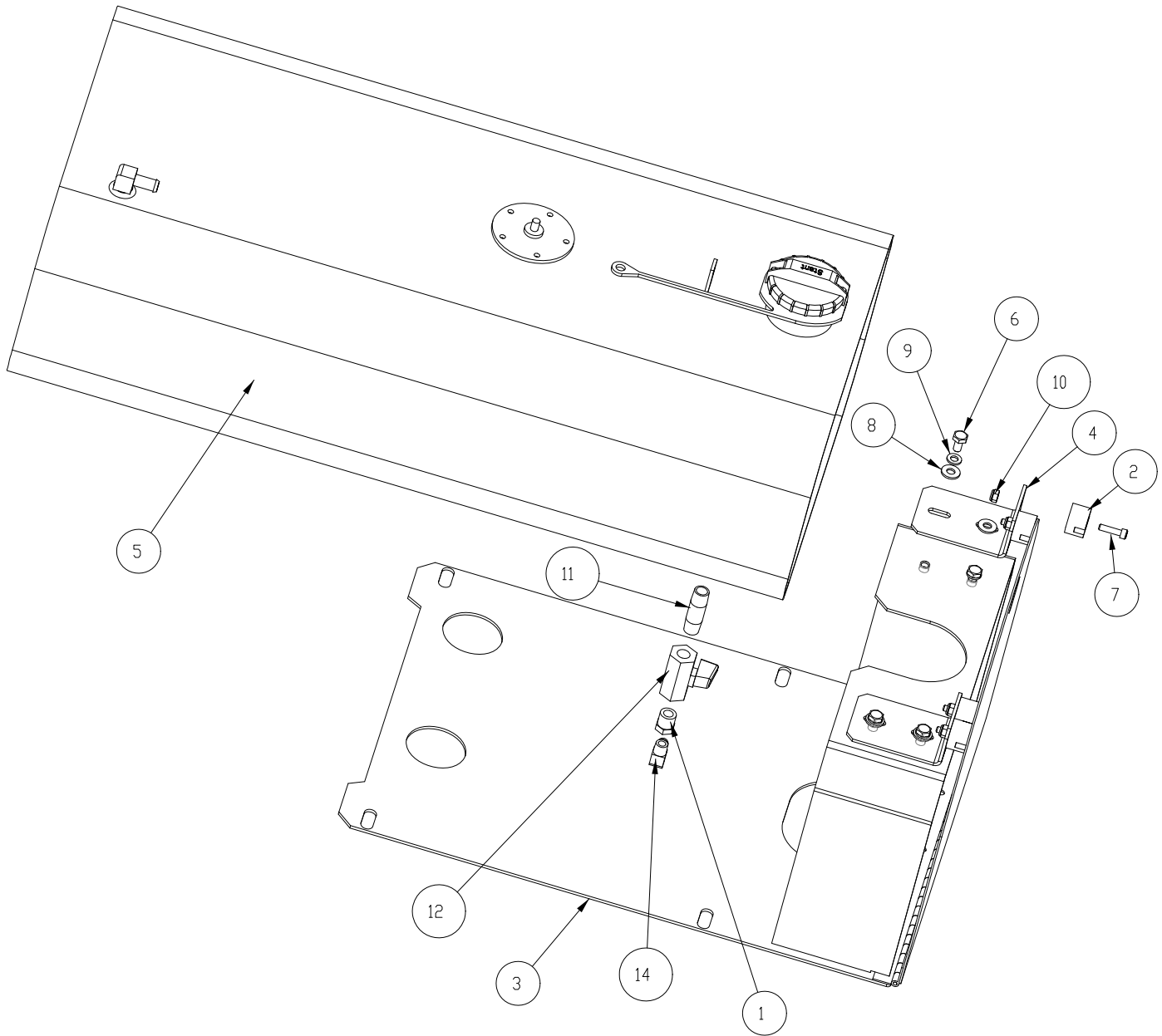




**FUEL SYSTEM GASOLINE GROUP GM1.6L - 3343553, REVISION A**

ITEM	PART NO.	REQ'D	DESCRIPTION
1	712636	1	NUT-HEX 10-32 SS
2	3301358	7	TIE-WIRE, 8 LG
3	3302338	10	CLAMP-HOSE 1/2
4	3341117	2	STRAP-FUEL TANK
5	3342206	5	FTG-FUEL 90 DEG ELL HOSE BA
6	3342207	3	FTG-FUEL HOSE BARB
7	3342209	1	FILTER-FUEL
8	3343338	1	HOSE-FUEL, 5/16 ID X 12 LG,
9	3343360	1	HOSE-FUEL, 5/16 ID X 28 LG,
10	3343473	1	TANK, FUEL, SUB-ASSEMBLY
11	3343516	1	HOSE-FUEL, 5/16 ID X 23 LG,
12	3343517	1	HOSE-FUEL, 5/16 ID X 67 LG,
13	3343518	1	HOSE-FUEL, 5/16 ID X 43 LG,
14	3343536	1	PUMP, FUEL, BOSCH HIGH PRES
15	3343538	1	ISOLATOR - RUBBER, 3/16 THK
16	3343539	2	CLAMP - P TYPE, 2 DIA
17	3343617	1	MANIFOLD-FUELTEMP/RETURN
18	3400035	1	SCR-HEX 5/16-18X1.00 ZP
19	3400079	4	NUT-HEX 3/8-16 ES ZP
20	3400080	1	NUT-HEX 5/16-18 ES ZP
21	3400087	4	WASHER 3/8 ID .81 OD X .06
22	3400089	2	WASHER 1/4 ID .63 OD X .065
23	3400103	2	WASHER-LOCK 1/4 SPLIT ZP
24	3400104	1	WASHER-LOCK # 10 SPLIT ZP
25	3400233	2	WASHER 5/16 ID 1.0 OD X .0
26	3400351	2	SCR-HEX, 1/4-20X2.25 ZP
27	3401072	1	NUT-HEX 4MMX.7P SS
28	3401073	1	WSH-LOCK, 4 MM ZP
29	3401088	2	FTG, -6 STOR-5/16 SAE J2044
30	3401089	1	FTG, -3 STOR-5/16 SAE J2044
31	3401090	1	FITTING & GASKET FOR FUEL P

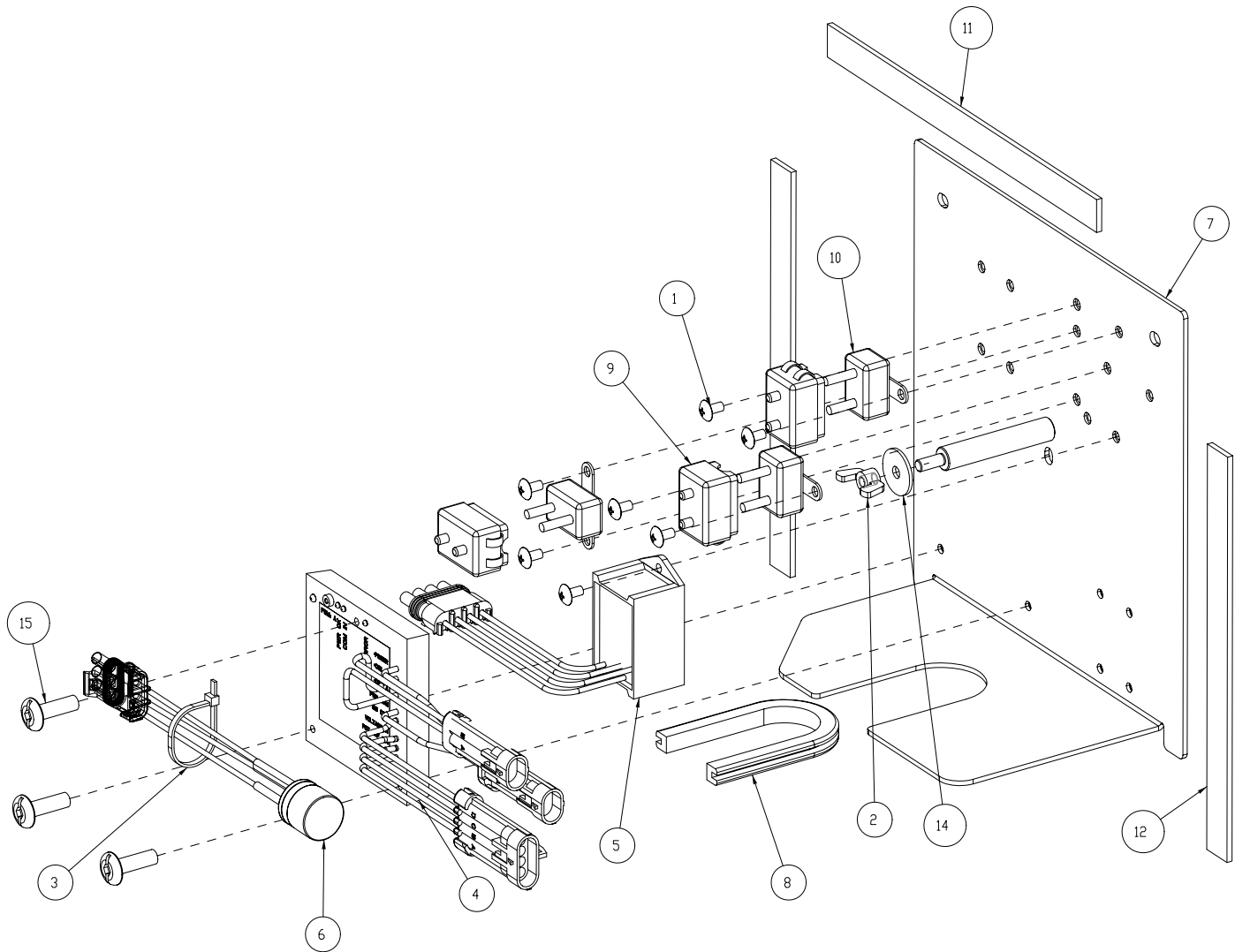
**FUEL TANK SUB ASSEMBLY GM1.6L - 3343473, REVISION B**



**FUEL TANK SUB ASSEMBLY GM1.6L - 3343473, REVISION B**

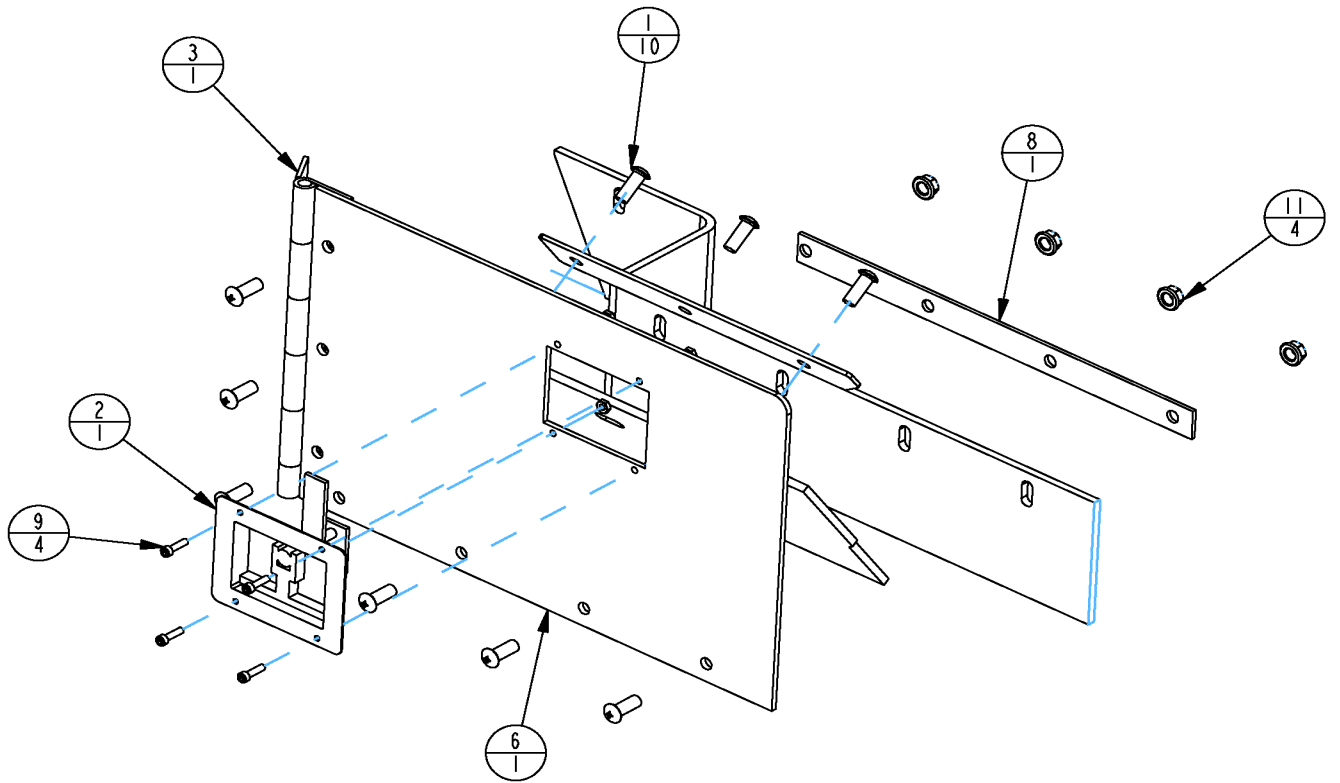
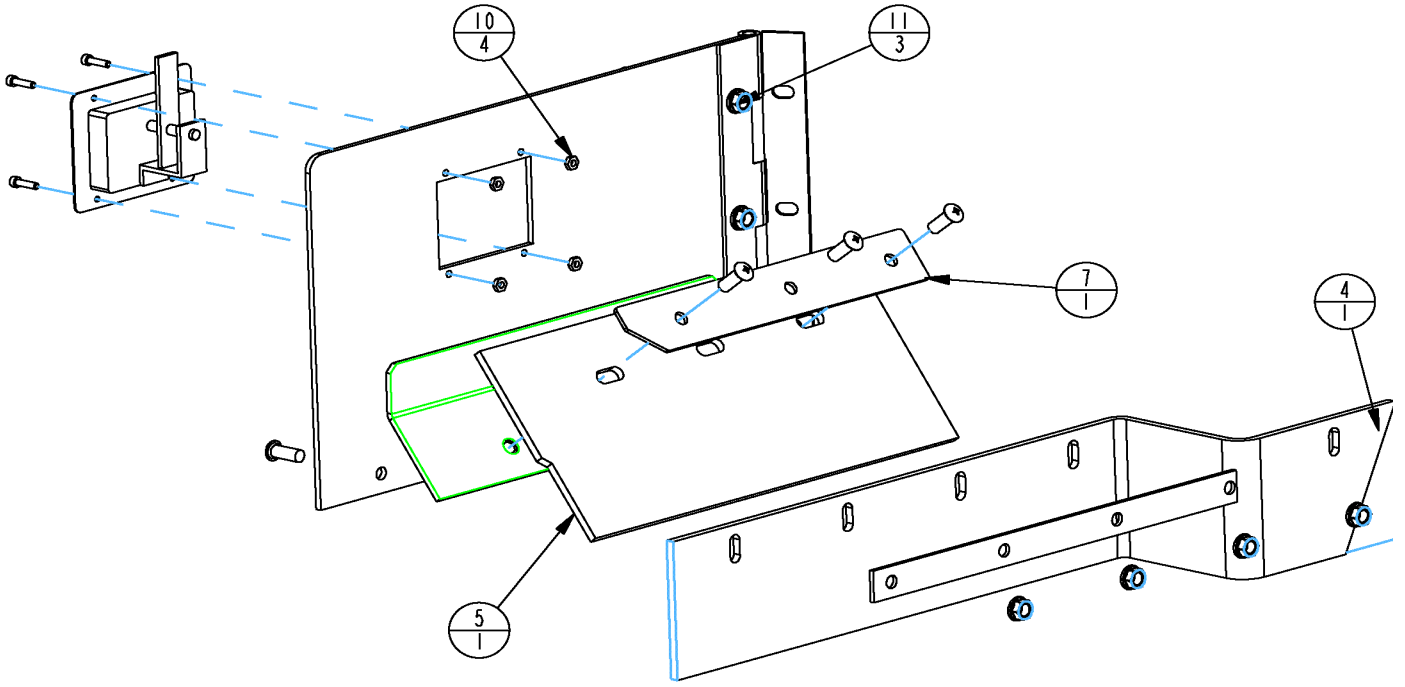
ITEM	PART NO.	REQ'D	DESCRIPTION
1	3308383	1	FTG-REDUCER 1/4 MPT TO 1/8 FPT
2	3341119	4	MAGNET-FUEL DOOR
3	3341572	1	WELD-FUEL DOOR
4	3341577	2	BRKT-MAGNET MNT
5	3343337	1	FUEL TANK - 10 GAL
6	3400043	4	SCR-HEX 1/4-20X.50 ZP
7	3400048	4	SCR-SOC 10-32 X 0.75 ZP
8	3400089	4	WASHER 1/4 ID .63 OD X .065 THK
9	3400103	4	WASHER-LOCK 1/4 SPLIT ZP
10	3400172	4	NUT-HEX JAM #10-32 ES ZP
11	3400498	1	FTG-NIPPLE 1/4 MPT
12	3400499	1	VALVE-MINATURE 1/4 FPT BALL
13	3401122	0.1	00SEALANT-THREADED PIPE, 565 PST
14	3402006	1	FTG-90 DEG 5/16 BARB TO 1/4 NPT

**FUSE PANEL ASSEMBLY - 3342641, REVISION \***



FUSE PANEL ASSEMBLY - 3342641, REVISION *			
ITEM	PART NO.	REQ'D	DESCRIPTION
1	710153	7	SCR-MC 10-32X.63 TH ZINC
2	711368	1	NUT-WING 1/4-20 NYLOC PL
3	3302267	1	TIE-WIRE
4	3341132	1	VALVE-DRIVER-PRESSURE
5	3342093	1	TIMER - 10 SECOND OFF DELAY, 5 A CONTACT
6	3342272	1	OPC OFF DELAY TIMER
7	3342289	1	WELD-FUSE PANEL MNT
8	3342640	1	GROMMET- 2-1/8" ID
9	3342910	3	BOOT-INSULATOR-RED, CIRCUIT BRKR
10	3342912	3	CIRCUIT BREAKER, 15A, 12V
11	3342913	1	GASKET- 1/8 X 3/4 X 9-3/4
12	3342914	2	GASKET- 1/8 X 3/4 X 9-1/4
13	3342916	1	ADHESIVE, 3M SCOTCH GRIP 1357
14	3400090	1	WASHER 1/4 ID 1.0 OD X .074 THK
15	3400428	3	SCREW- PAN, #6-32 X 1.0 , SLT ZP

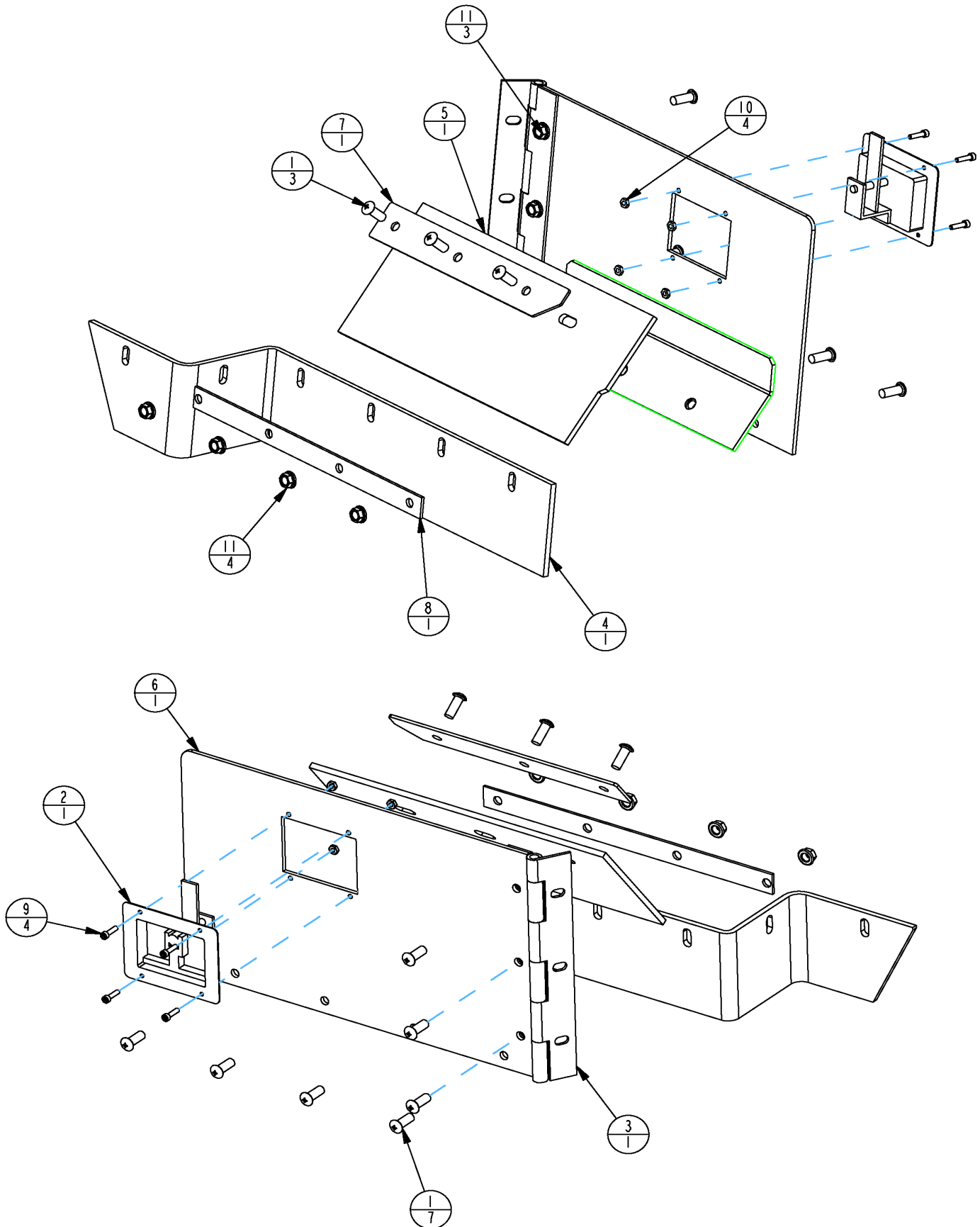
**BROOM DOOR, LEFT HAND ASSEMBLY - 3341652, REVISION \***



**BROOM DOOR, LEFT HAND ASSEMBLY - 3341652, REVISION \***

ITEM	PART NO.	REQ'D	DESCRIPTION
1	400790	10	SCR-THM 3/8-16X1.00 SS
2	3318595	1	LATCH- T-HANDLE
3	3318694	1	HINGE- 0.125 X 3.0 X 11.12
4	3341083_LH	1	FLAP-BROOM DOOR
5	3341085	1	INNER FLAP-MB DOOR
6	3341470	1	WELD-LH BROOM DOOR
7	3341485	1	STRAP-MB DOOR INNER FLAP
8	3341486	1	STRAP-MB DOOR SIDE FLAP
9	3400048	4	SCR-SOC 10-32 X 0.75 ZP
10	3400172	4	NUT-HEX JAM 10-32 ES ZP
11	3400392	7	NUT-FLANGE LOCK 3/8-16

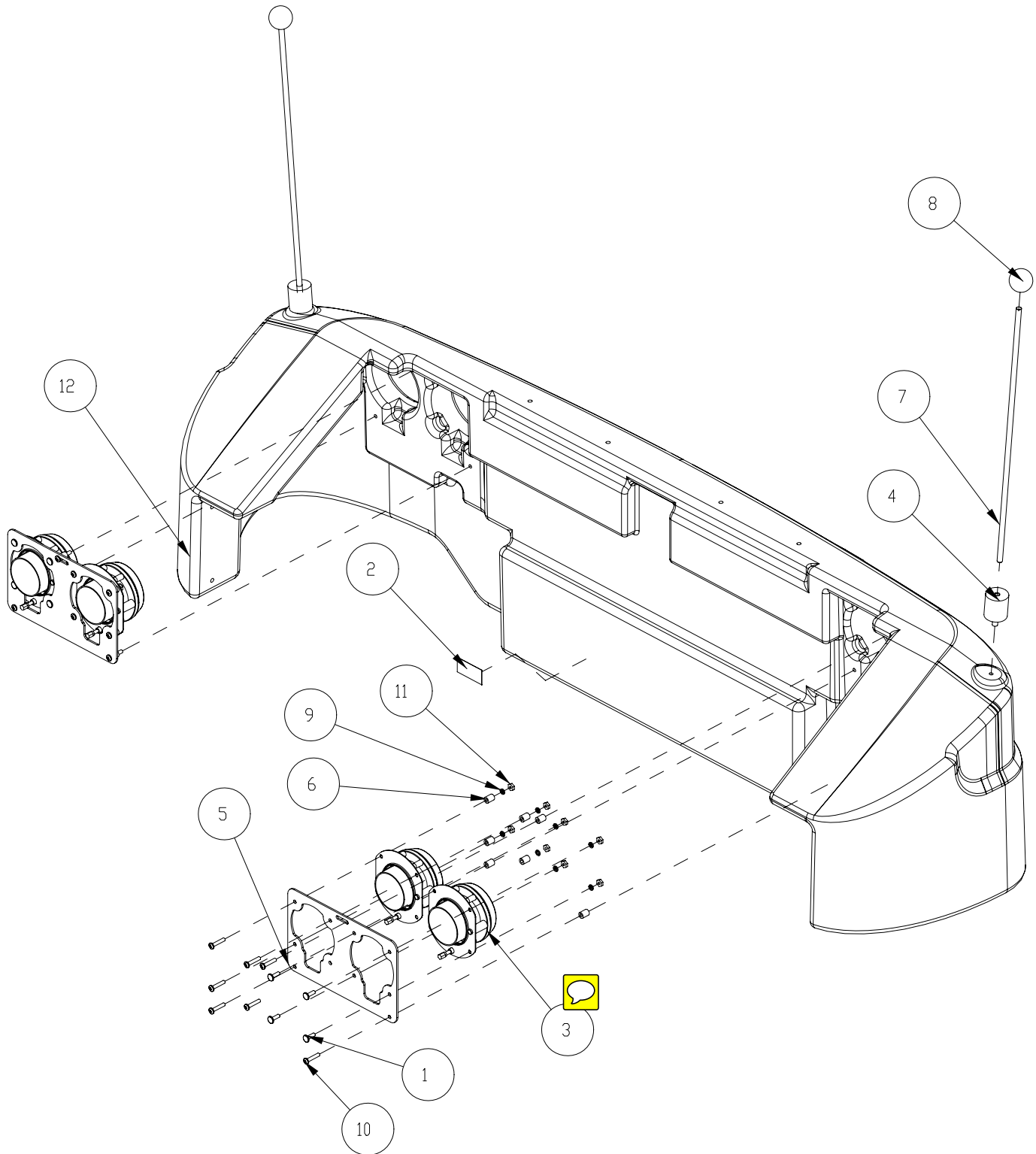
**BROOM DOOR, RIGHT HAND ASSEMBLY - 3341653, REVISION \***





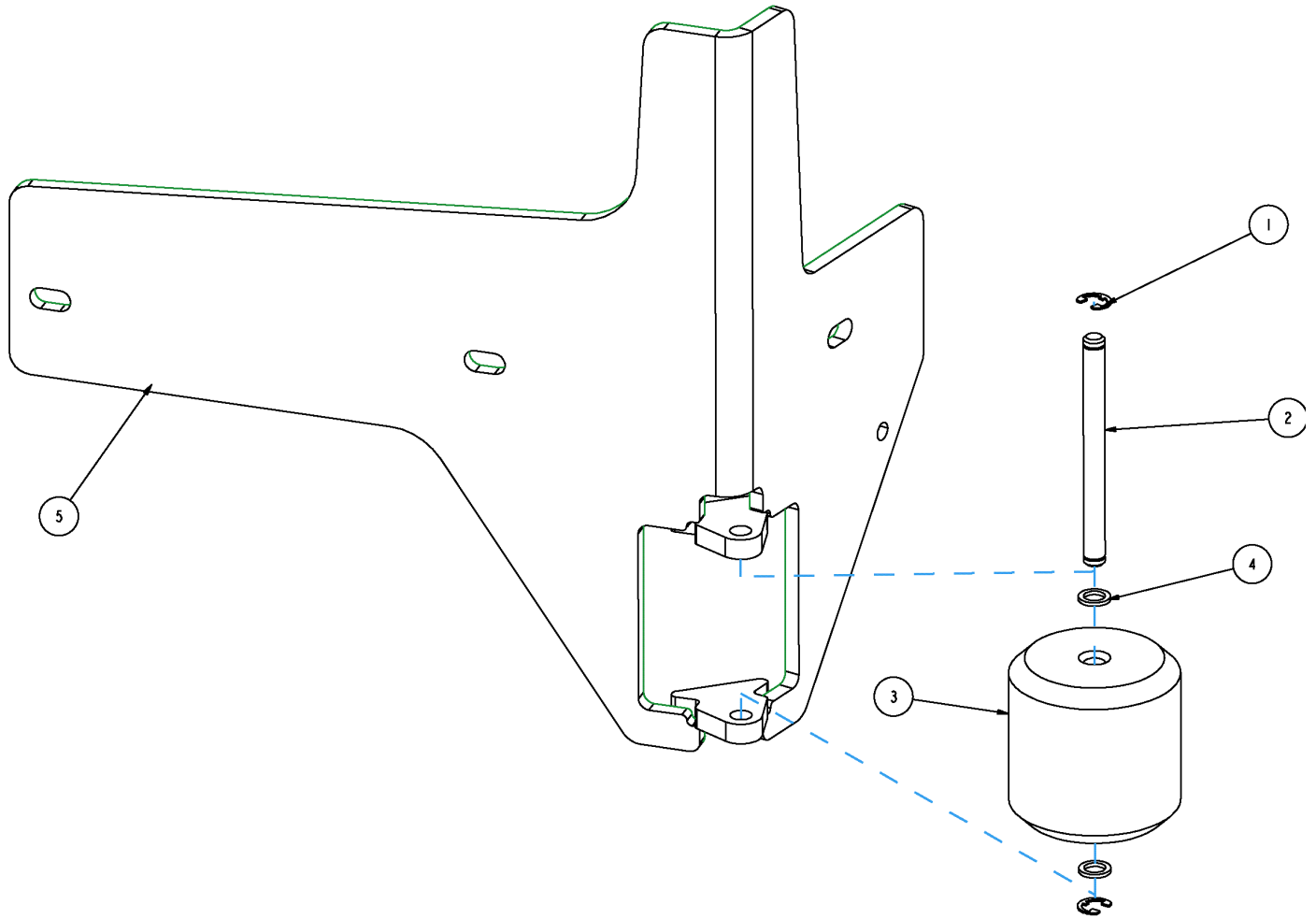
BROOM DOOR, RIGHT HAND ASSEMBLY - 3341653, REVISION *			
ITEM	PART NO.	REQ'D	DESCRIPTION
1	400790	10	SCR-THM 3/8-16X1.00 SS
2	3318595	1	LATCH- T-HANDLE
3	3318694	1	HINGE- 0.125 X 3.0 X 11.12
4	3341083	1	FLAP-BROOM DOOR
5	3341085	1	INNER FLAP-MB DOOR
6	3341477	1	WELD-RH BROOM DOOR
7	3341485	1	STRAP-MB DOOR INNER FLAP
8	3341486	1	STRAP-MB DOOR SIDE FLAP
9	3400048	4	SCR-SOC 10-32 X 0.75 ZP
10	3400172	4	NUT-HEX JAM 10-32 ES ZP
11	3400392	7	NUT-FLANGE LOCK 3/8-16

**FRONT BUMPER ASSEMBLY - 3342803, REVISION B**



FRONT BUMPER ASSEMBLY - 3342803, REVISION B			
ITEM	PART NO.	REQ'D	DESCRIPTION
1	712536	8	SCR-MC 10-24 X .62 TH SS
2	3303495	1	DECAL-QUALITY CHECK
3	3342287	4	LIGHT-HELLA HEAD (CAP & LIGHT
4	3342539	2	ISOLATOR-IMP MNT
5	3342867	2	PLATE- MNT, HEAD LIGHT, 1800
6	3342868	14	SPACER-NYLON, .375 OD X .194 ID
7	3342993	2	ROD, 5/16 DIA, DBL END THRD
8	3342994	2	BALL, 1-3/8 DIA, PLASTIC
9	3400104	16	WASHER-LOCK # 10 SPLIT ZP
10	3400401	14	SCR-PAN #10-24 X 1" SS PHMS
11	3400480	16	NUT-HEX 10-24 ZP
12	3342478HK	1	BUMPER-HAKO 1800LPG GRAY PLASTIC

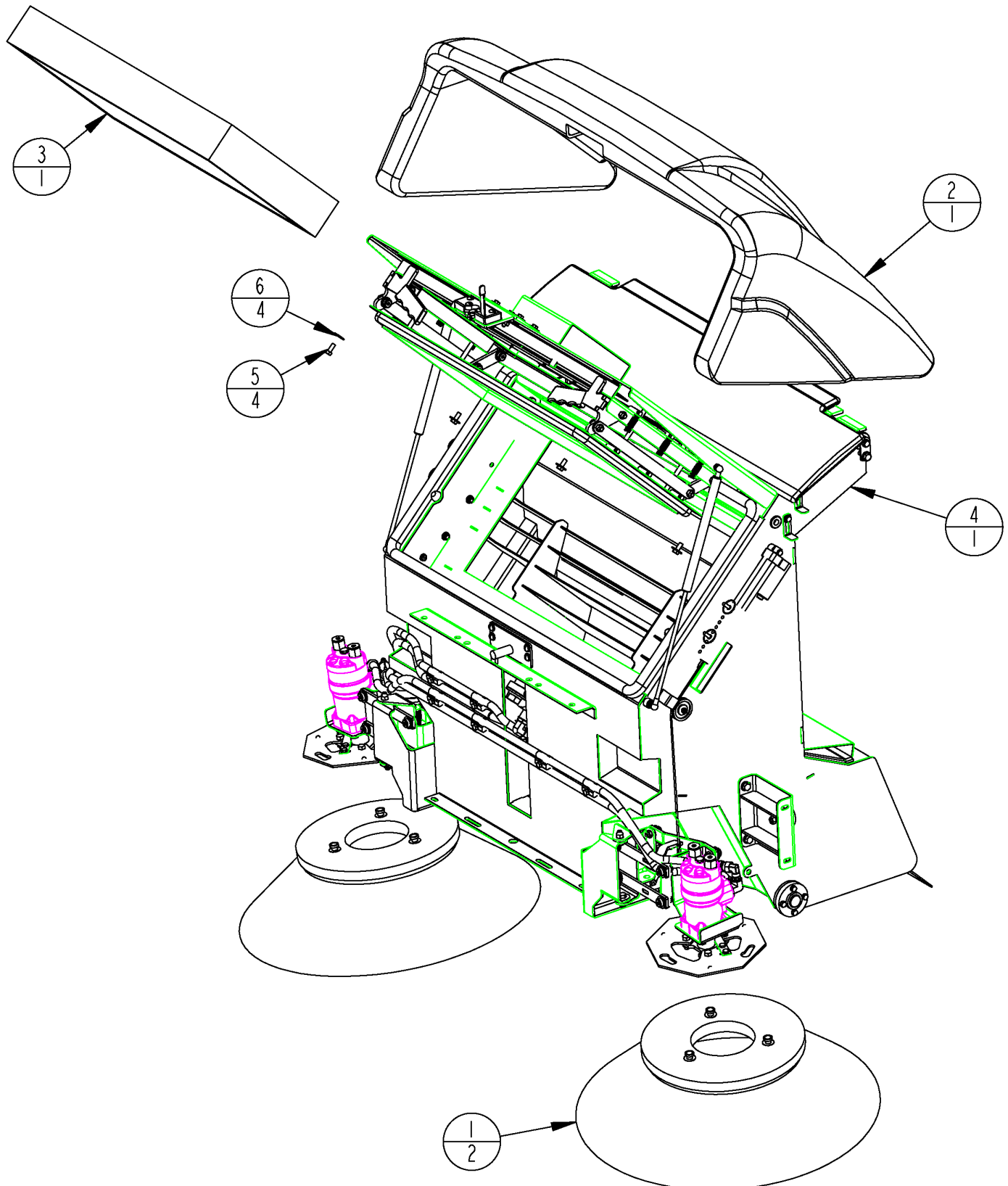
**REAR BUMPER, RIGHT HAND ASSEMBLY - 3341669, REVISION \***



**REAR BUMPER, RIGHT HAND ASSEMBLY - 3341669, REVISION \***

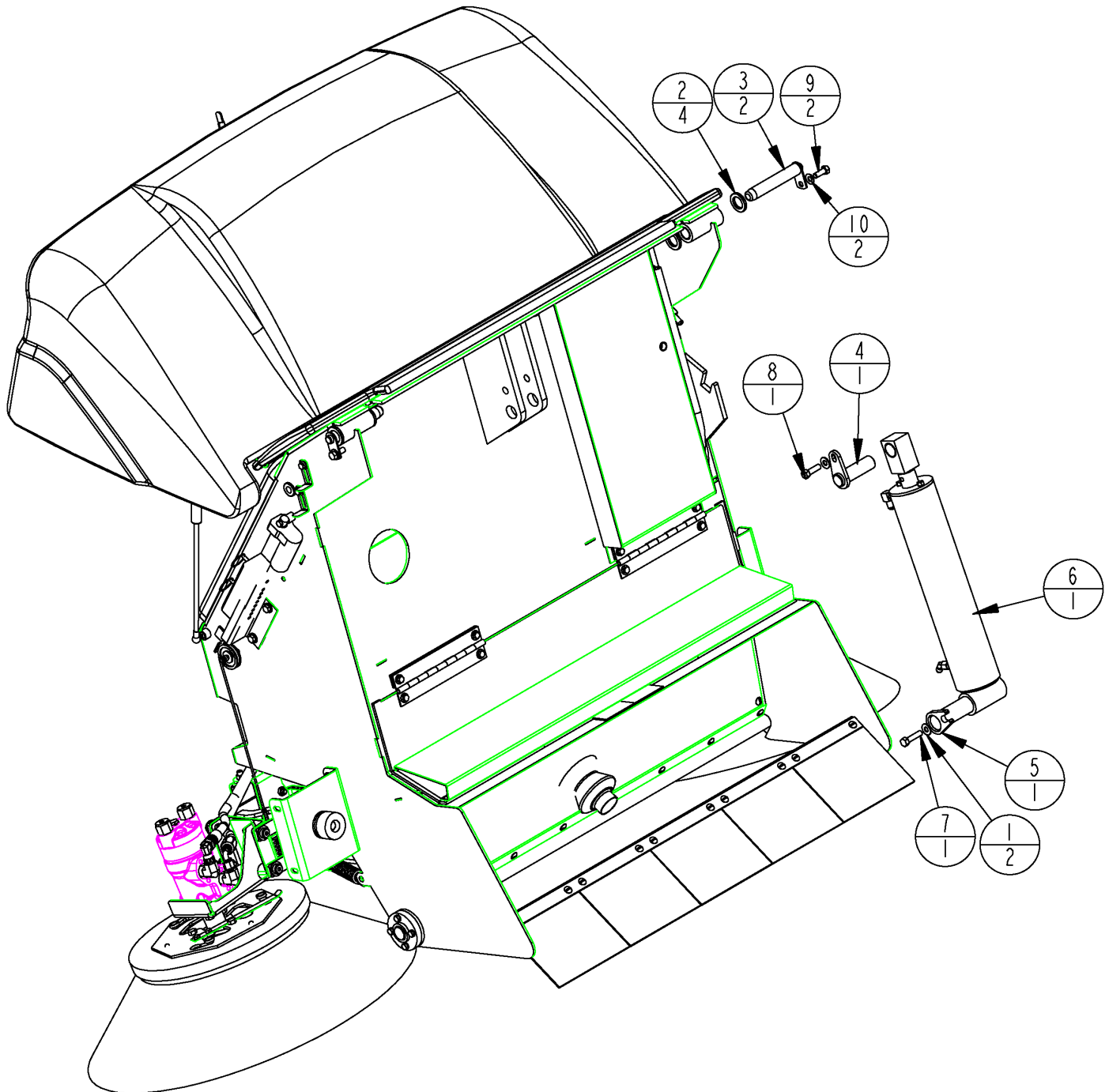
ITEM	PART NO.	REQ'D	DESCRIPTION
1	711713	2	RETAINING RING - "E" TYPE EXT .500
2	3341052	1	PIN-BUMPER GUARD
3	3341053	1	ROLL-BUMPER GUARD
4	3341054	2	SPCAER-BUMPER GUARD
5	3341491	1	WELD-BUMPER GUARD RH

**HOPPER GROUP - 3342962, REVISION \***



HOPPER GROUP - 3342962, REVISION *			
ITEM	PART NO.	REQ'D	DESCRIPTION
1	3300307	2	SIDE BROOM-24" POLY
2	3341005_HK	1	COVER-HOPPER MAJOR
3	3342511	1	FILTER-HOPPER HAKO 1800
4	3342802	1	SUB-HOPPER 5550 HAKO
5	3400036	4	BOLT-HH 5/16-18X3/4
6	3400233	4	WASHER 5/16 ID 1.0 OD X .065 THK

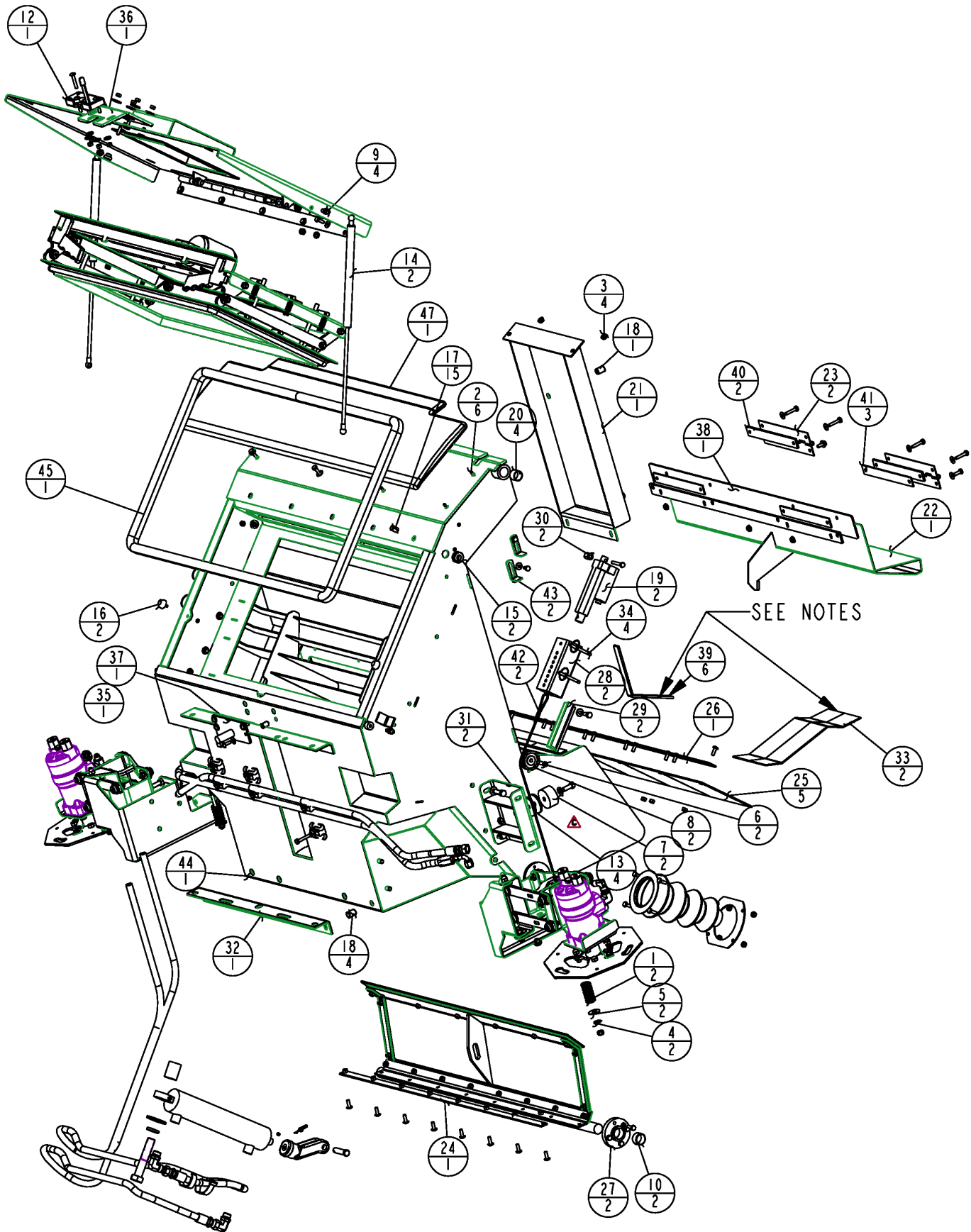
**HOPPER GROUP - 3342962, REVISION \* (CONTINUED)**





HOPPER GROUP - 3342962, REVISION * (CONTINUED)			
ITEM	PART NO.	REQ'D	DESCRIPTION
1	712301	2	WSR-FLAT .37 X .87 X .06
2	3341035	4	SPACER-HOPPER PIVOT
3	3341315	2	WELD-HOPPER PIN
4	3342717	1	WELD-PIN HOPPER CYL
5	3342974	1	WELD-PIN LOWER LIFT CYL.
6	3343262	1	CYLINDER, HOPPER LIFT ASSEMBLY
7	3400028	1	SCR-HEX 3/8 -16X1.50 ZP
8	3400029	1	SCR-HEX 3/8 -16X1.25 ZP
9	3400030	2	SCREW-HHM 3/8-16 X 1.0 LG ZP
10	3400385	2	WASHER CONICAL SPRING 3/8

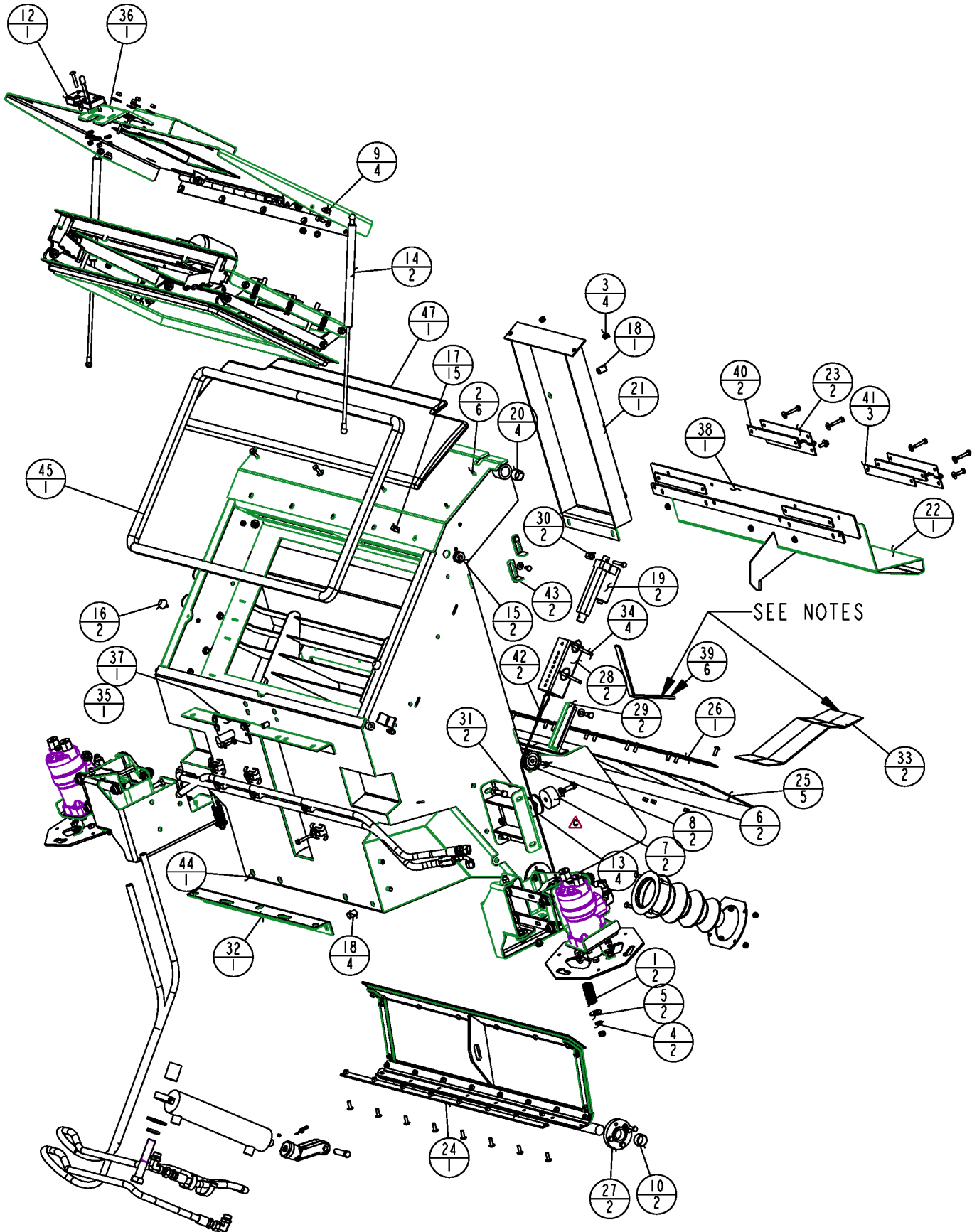
**HOPPER ASSEMBLY - 3342802, REVISION D**



**HOPPER ASSEMBLY - 3342802, REVISION D**

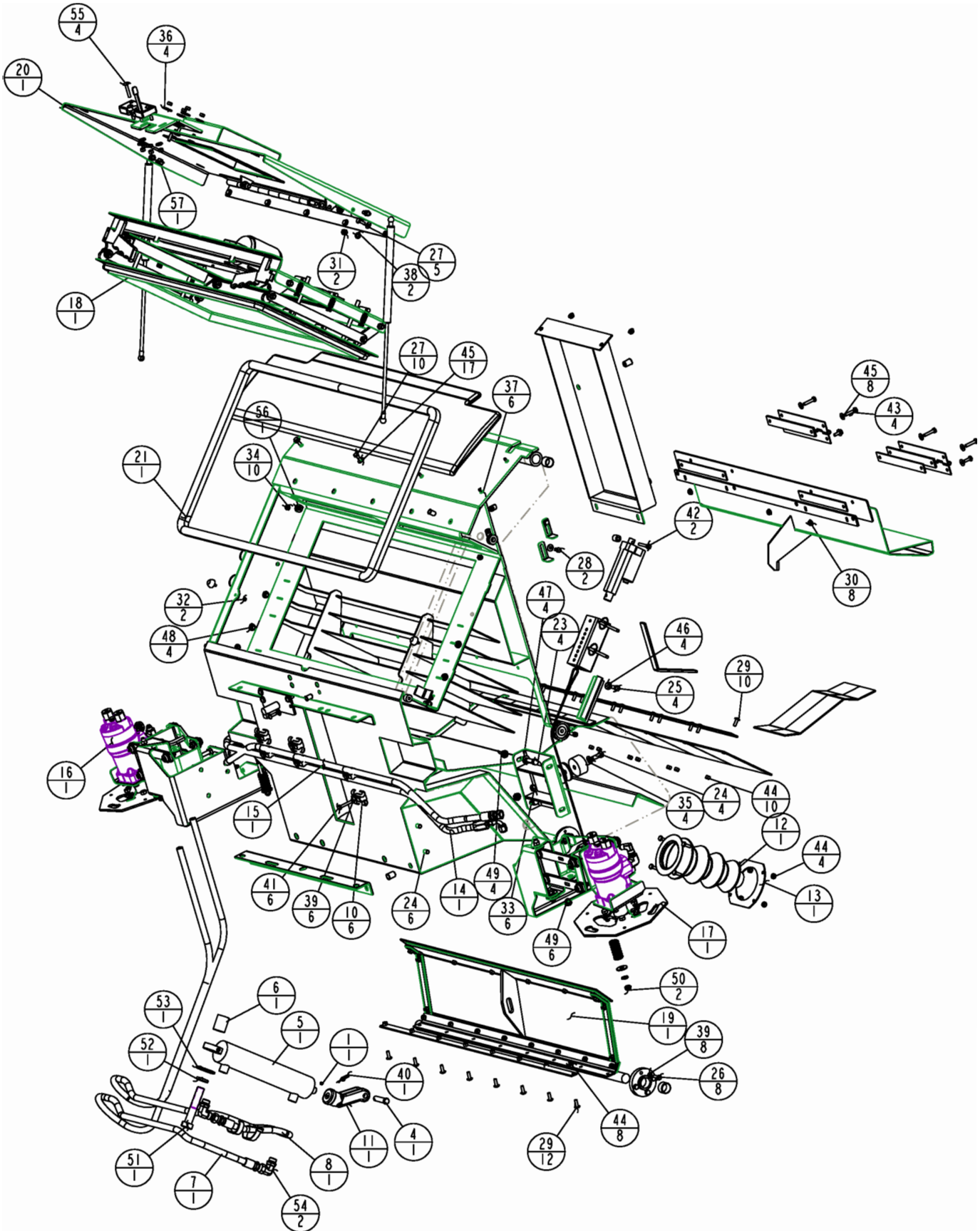
ITEM	PART NO.	REQ'D	DESCRIPTION
1	260137	2	COMPRESSION SPRING
2	711161	6	SCR-HI/LO 10 X 3/4 STL BLK ZINC
3	711425	4	NUT, HEX 1/4-20 WIZNUT
4	711506	2	WSR-FLT .344 X .690 X .062 STL ZINC
5	711507	2	WSR-FLAT .37 X 1.12 X .06
6	712070	2	BLT, SHLDR 5/16 X .75
7	3300338	2	BUMPER-RUBBER
8	3300368	2	PULLEY-PLASTIC
9	3300376	4	STUD-BALL 10MM
10	3300837	2	BEARING-1.125 OD X 1" ID X .75 DU
11	3302493	2	TIE-WIRE
12	3307247	1	LATCH-ROTARY
13	3307818	4	SPACER-SHOCK DISK PLTD
14	3308767	2	GAS SPRING-8" STROKE
15	3311564	2	GROMMET-1/2 ID RUBBER
16	3312413	2	BUMPER-RUBBER 0.88 DIA X 10-32
17	3322188	15	INSERT 1/4-20 UNC
18	3322189	5	INSERT 3/8-16 UNC
19	3332704	2	ACTUATOR-LINEAR 1.82 STROKE 12VDC
20	3341034	4	BEARING-7/8 ID X 1" OD X 3/4 LG.
21	3341867	1	WELDMENT-AIR CHAMBER
22	3341871	1	WELDMENT-CLEAN OUT DOOR
23	3341896	2	HINGE-HOPPER CLEAN-OUT DOOR
24	3341906	1	STRAP-DOOR PIVOT SEAL
25	3341907	5	SEAL-HOPPER DOOR
26	3341908	1	STRAP-HOPPER FLAP
27	3341909	2	HOUSING-DUMP DOOR BEARING
28	3341913	2	BLOCK-SIDE BROOM LIFT
29	3341914	2	BRKT-SIDE BROOM LIFT
30	3341916	2	SPACER-ACTUATOR MOUNT
31	3341917	2	WELDMENT-BUMPER MOUNT
32	3341977	1	ANGLE-BUMPER MOUNT
33	3341983	2	SEAL-HOPPER CLEAN-OUT
34	3342044	4	PIN-QUICK RELEASE 1/4 X 1.60
35	3342067	1	HOSE-.38 AR 82.0 ST#6 90#6

### HOPPER ASSEMBLY - 3342802, REVISION D



HOPPER ASSEMBLY - 3342802, REVISION D			
ITEM	PART NO.	REQ'D	DESCRIPTION
36	3342116	1	PLATE-LATCH BRKT
37	3342120	1	WELD-STRIKER
38	3342124	1	FLAP-DOOR HINGE
39	3342156	6	SEAL-HOPPER DUST SHORT
40	3342180	2	SHIM-CLEANOUT DOOR 7 GA
41	3342183	3	SHIM-CLEANOUT DOOR 12 GA
42	3342540	2	CABLE-SIDE BRM LIFT, HAKO 1800
43	3342592	2	ACTUATOR-SWITCH
44	3342610	1	WELD-HOPPER HAKO
45	3343124	1	SEAL, HOPPER DOOR
46	3343164	1	ADHESIVE, LOCTITE 435
47	3341006HK	1	COVER-HAKO ORANGE PLASTIC HOPP

**HOPPER ASSEMBLY - 3342802, REVISION D (CONTINUED)**

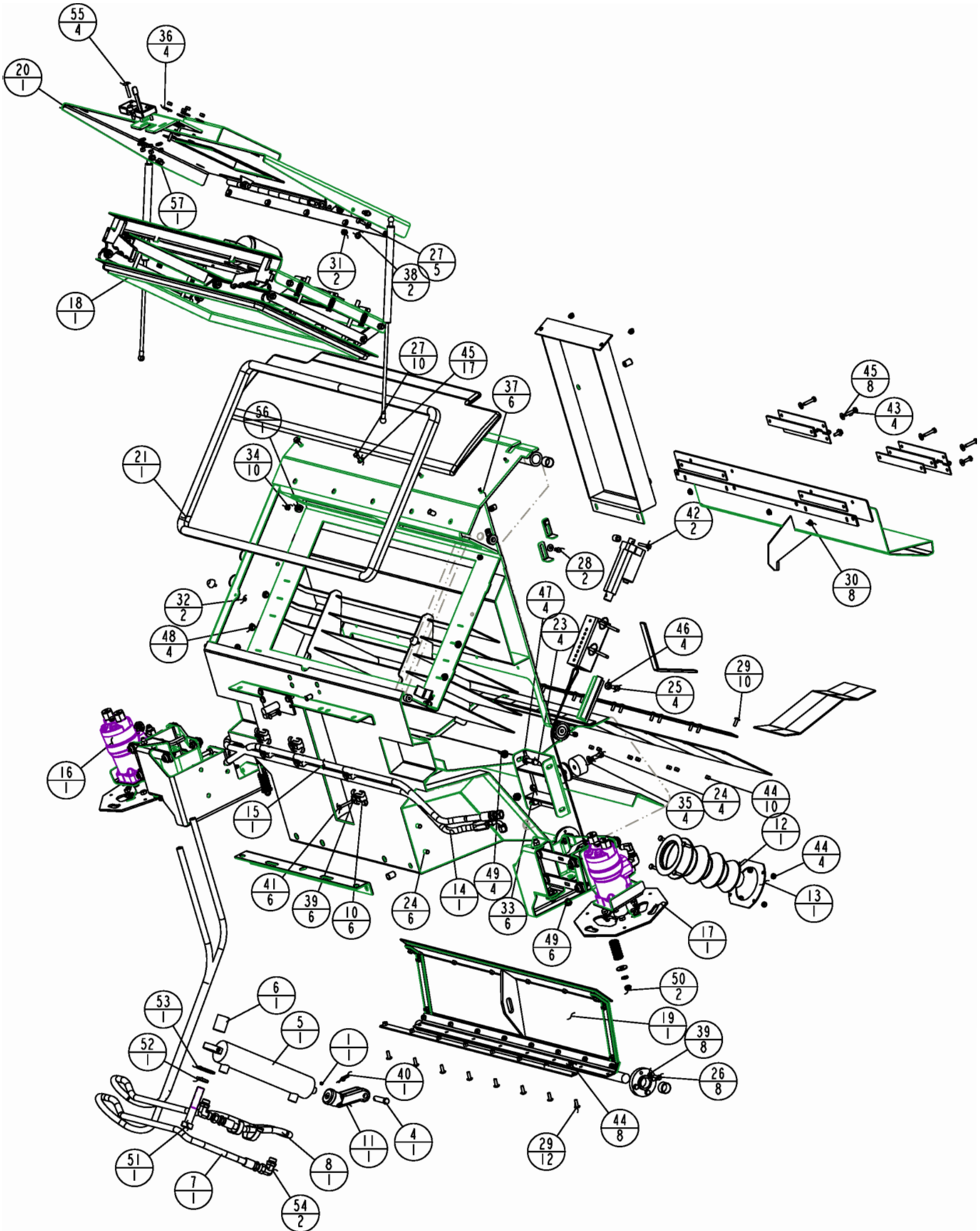




**HOPPER ASSEMBLY - 3342802, REVISION D (CONTINUED)**

ITEM	PART NO.	REQ'D	DESCRIPTION
1	711011	1	SCR-SK 1/4-20 X .25 - CUP PT. SET SCR
2	3302493	2	TIE-WIRE
3	3307818	4	SPACER-SHOCK DISK PLTD
4	3308225	1	PIN-CLEVIS 1/2 X 2.00 ZP
5	3318452	1	CYL-2" BORE X 8" STROKE
6	3341911	1	SPACER-CYLINDER MOUNT
7	3341975	1	HOSE-.375 AR 93.0 ST #6 ST #6
8	3341976	1	HOSE-.375 AR 102.0 ST#6 ST#6
9	3342156	6	SEAL-HOPPER DUST SHORT
10	3342611	6	RETAINER-HOSE 5/8 PLASTIC
11	3342612	1	CLEVIS-HOPPER DOOR HAKO
12	3342613	1	BELLOWS-DUMP DOOR HAKO
13	3342707	1	MNT-BELLOWS
14	3342791	1	HOSE-.38 AR 133" 90#6 ST#6
15	3342792	1	HOSE-.38 AR 61" ST#6 90#6
16	3342843	1	ASSY-SIDE BROOM RH (HAKO)
17	3342844	1	ASSY-SIDE BROOM LH (HAKO)
18	3342940	1	SUB-FILTER SHAKER 1800/5550
19	3342995	1	SUB-HOPPER DUMP DOOR 5550/1800
20	3342996	1	ASSY - HOPPER LID 5550/1800
21	3343124	1	SEAL, HOPPER DOOR
22	3343164	1	ADHESIVE, LOCTITE 435
23	3400029	4	SCR-HEX 3/8 -16X1.25 ZP
24	3400030	10	SCREW-HHM 3/8-16 X 1.0 LG ZP
25	3400036	4	BOLT-HH 5/16-18X3/4
26	3400041	8	SCREW-HHM 1/4-20 X .875 LG ZP
27	3400042	15	SCR-HEX 1/4-20X.75 ZP
28	3400043	2	SCR-HEX 1/4-20X.50 ZP
29	3400059	22	SCR-THM 1/4-20 X 0.75 TRUSS SLOTTED SS
30	3400063	8	NUT-FLANGE LOCK 1/4-20 ZP
31	3400070	2	NUT, HEX 5/16-18 ZP
32	3400072	2	NUT-HEX # 10-32 ZP
33	3400079	6	NUT-HEX 3/8-16 ES ZP
34	3400081	10	NUT-HEX 1/4-20 ES ZP
35	3400087	4	WASHER 3/8 ID .81 OD X .065 THK

**HOPPER ASSEMBLY - 3342802, REVISION D (CONTINUED)**

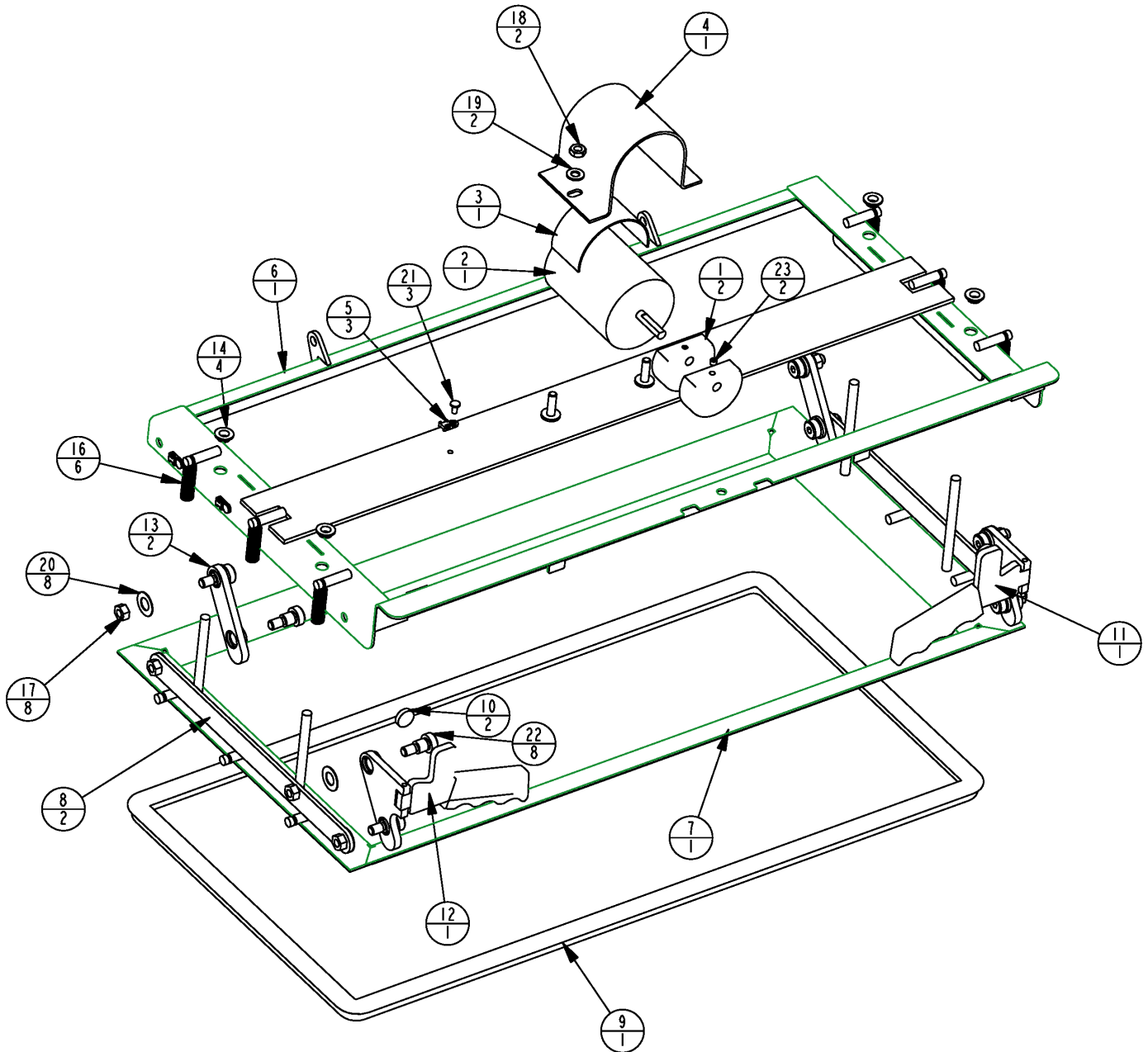




**HOPPER ASSEMBLY - 3342802, REVISION D (CONTINUED)**

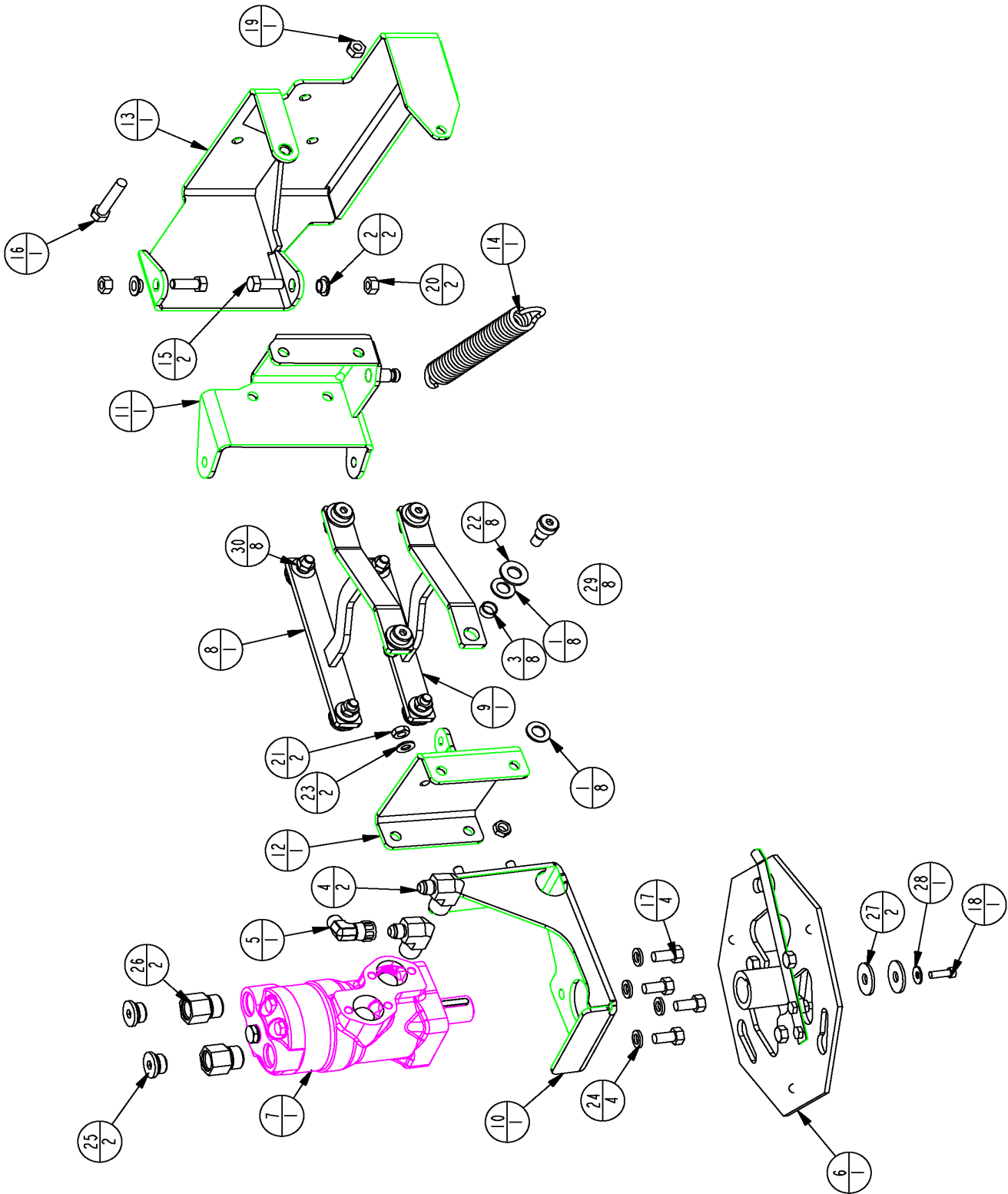
ITEM	PART NO.	REQ'D	DESCRIPTION
36	3400090	4	WASHER 1/4 ID 1.0 OD X .074 THK
37	3400095	6	WASHER .22 ID .50 OD X .049 THK
38	3400102	2	WASHER-LOCK 5/16 SPLIT ZP
39	3400103	14	WASHER-LOCK 1/4 SPLIT ZP
40	3400124	1	PIN-COTTER 5/8 RUE-RING
41	3400149	6	SCREW-HHM 1/4-20 X 1.5 LG
42	3400173	2	SCREW-HHM 1/4-20 X 1.75 LG ZP
43	3400227	4	SCREW-HHM 1/4-20 X 1.25 LG ZP
44	3400324	22	NUT, HEX 1/4-20 NYLOC SS
45	3400383	25	WASHER CONICAL SPRING 1/4
46	3400384	4	WASHER CONICAL SPRING 5/16
47	3400385	4	WASHER CONICAL SPRING 3/8
48	3400390	4	NUT-FLANGE LOCK 5/16-18
49	3400392	10	NUT-FLANGE LOCK 3/8-16
50	3400420	2	NUT-HEX NYLOC 5/16-24
51	3400421	1	SCR-HEX 3/4-10 X 4.00 ZP
52	3400435	1	WASHER-LOCK 3/4 SPLIT ZP
53	3400440	1	WASHER-FLAT .812 ID X 2.0 OD X .148 THK
54	3400634	2	FTG-ADAPTOR 90° ELBOW 1/2-20
55	3400732	4	SCR-THM 1/4-20 X 1.50 TRUSS SLOTTED ZP
56	3400793	1	FTG-90 DEG 3/8 BARB TO 1/4 NPT
57	3402074	1	KNOB-KNURLED 1/4-20
58	3341006HK	1	COVER-HAKO ORANGE PLASTIC HOPP

**FILTER SHAKER ASSEMBLY - 3342940, REVISION A**



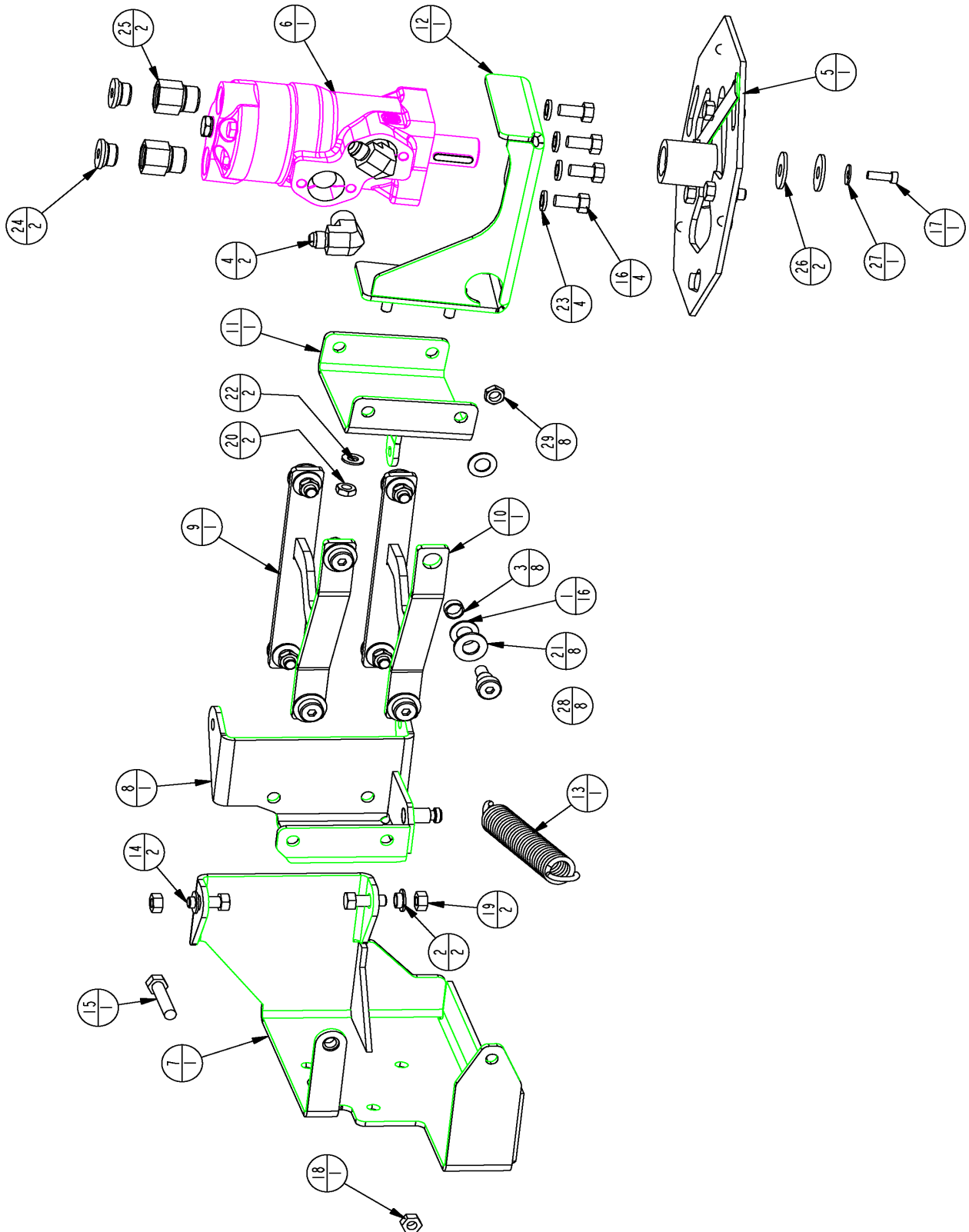
FILTER SHAKER ASSEMBLY - 3342940, REVISION A			
ITEM	PART NO.	REQ'D	DESCRIPTION
1	301053	2	WEIGHT-ECCENTRIC
2	3300424	1	MOTOR-FILTER SHAKER
3	3300904	1	MOUNT-NEOPRENE SHAKER MTR
4	3300915	1	RETAINER SHAKER MOTOR
5	3302472	3	MOUNT-WIRE TIE LOW PROFILE
6	3341875	1	WELD-UPPER FILTER FRAME
7	3341884	1	WELD-LOWER FILTER FRAME
8	3341893	2	LINK-FILTER RELEASE
9	3342161	1	SEAL-5550 FILTER RETAINER
10	3342193	2	MAGNET-3/4 DIA X 3/16 THK
11	3343034	1	ASSY-CAM, FILTER RELEASE, LH
12	3343035	1	ASSY-CAM, FILTER RELEASE, RH
13	3343043	2	ASSY-CAM, FILTER RELEASE, REAR
14	3343046	4	BUSHING-FLNG 25/64, NYLON
15	3343184	1	ADHESIVE- ACRYLIC, LOCTITE, 330, 250 ML
16	3347664	6	SPRING-EXT 0.5 OD X .063 WIRE X 2.5 LG.
17	3400079	8	NUT-HEX 3/8-16 ES ZP
18	3400080	2	NUT-HEX 5/16-18 ES ZP
19	3400088	2	WASHER 5/16 ID .688 OD X .065 THK
20	3400178	8	BEARING-THRUST .531 ID X 1.00 OD
21	3400484	3	RIVET-AVDEL 3/16 X .602
22	3400720	8	SCR-HSS 1/2 DIA X .50 BLK OX
23	3400826	2	SCR-SET 1/4-28 X .25 - CUP PT. SET SCR

**SIDE BROOM, LEFT HAND ASSEMBLY - 3342844, REVISION A**



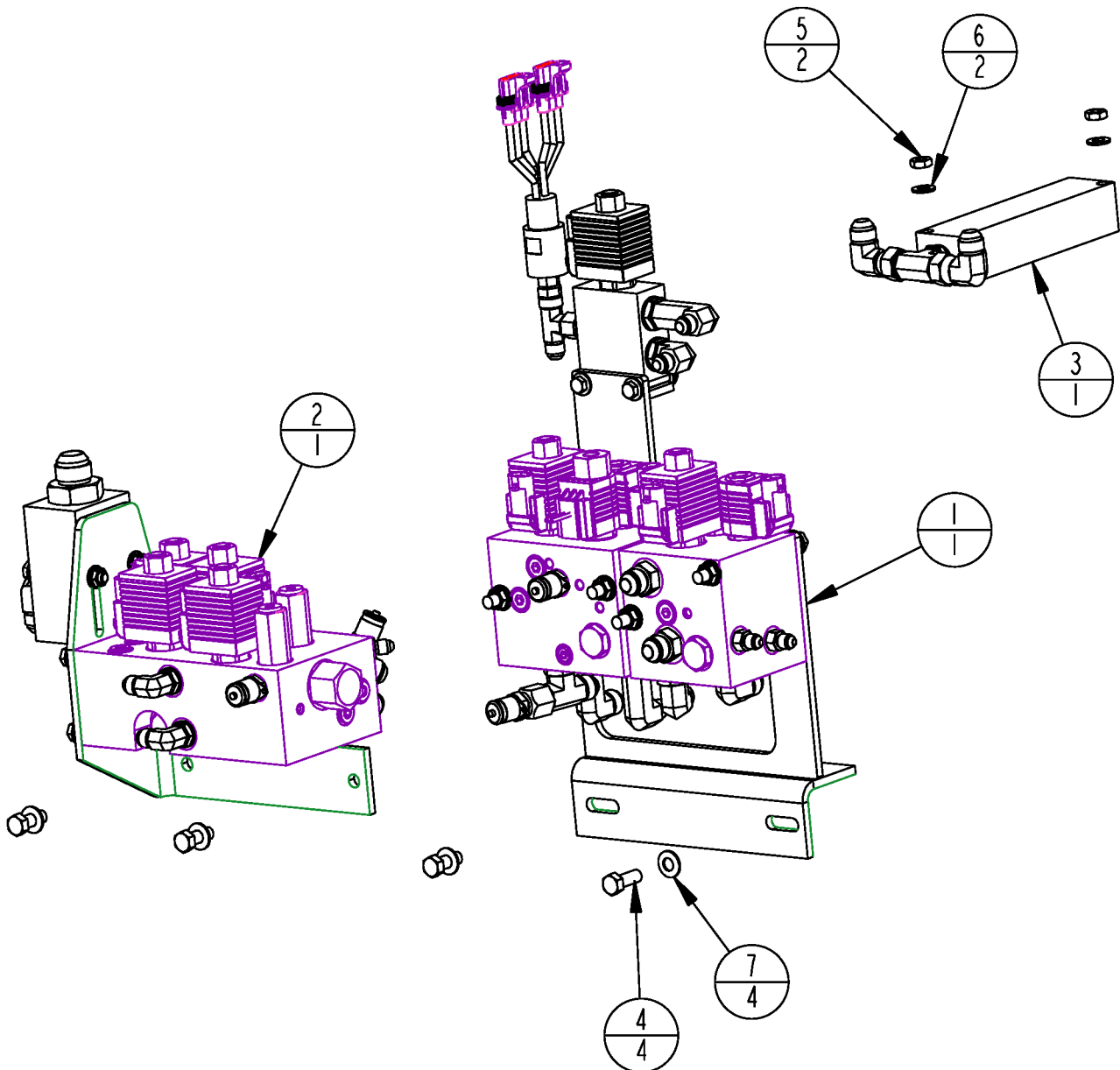
SIDE BROOM, LEFT HAND ASSEMBLY - 3342844, REVISION A			
ITEM	PART NO.	REQ'D	DESCRIPTION
1	711592	16	WSR-FLAT .50 X .9 X .075 NYL
2	3300414	2	BUSHING-FLNG 3/8 NYLON
3	3300431	8	BUSHING-.499 ID X .594 OD (X.250
4	3306223	2	FTG-90 EL 1/2MP X 6JIC
5	3332426	1	FTG-C5506X6 SWNLE 90 DEG#6
6	3339019	1	ASSY-BROOM DRIVE PLATE LH
7	3341147	1	MOTOR-HYD 11.8 CIR SIDE BROOM 5550
8	3342835	1	WELD-SIDE BROOM UPPER ARM
9	3342836	1	WELD-SIDE BROOM LOWER ARM
10	3342838	1	WELD-SIDE BROOM MNT LH
11	3342839	1	WELD-SIDE BROOM PIVOT LH
12	3342840	1	WELD-SIDE BROOM ADJUST LH
13	3342841	1	WELD-SIDE BROOM MOUNT LH
14	3343304	1	SPRING, .1625X1.03X6.5X142LB, COMP.
15	3400030	2	SCREW-HHM 3/8-16 X 1.0 LG ZP
16	3400031	1	SCR-HEX 3/8 -16X2.00 ZP
17	3400032	4	SCR-HEX 3/8-16X.75 ZP
18	3400049	1	SCR=SOC 1/4-20 X .75 ZP
19	3400068	1	NUT-HEX 3/8-16 ZP
20	3400079	2	NUT-HEX 3/8-16 ES ZP
21	3400080	2	NUT-HEX 5/16-18 ES ZP
22	3400086	8	WASHER-FLAT 1/2 STANDARD ZP
23	3400088	2	WASHER 5/16 ID .688 OD X .065 THK
24	3400101	4	WASHER-LOCK 3/8 SPLIT ZP
25	3400164	2	FTG-PLUG 3/4-16 O-RING
26	3400166	2	FTG-ADAPTER 7/8-14 EXT X 3/4-16
27	3400278	2	WASHER-FENDER 3/8 ZP
28	3400383	1	WASHER CONICAL SPRING 1/4
29	3400720	8	SCR-HSS 1/2 DIA X .50 BLK OX
30	3401053	8	NUT-HEX, JAM, 3/8-16, NYLON, ZP, SS

**SIDE BROOM, RIGHT HAND ASSEMBLY - 3342843, REVISION A**



SIDE BROOM, RIGHT HAND ASSEMBLY - 3342843, REVISION A			
ITEM	PART NO.	REQ'D	DESCRIPTION
1	711592	16	WSR-FLAT .50 X .9 X .075 NYL
2	3300414	2	BUSHING-FLNG 3/8 NYLON
3	3300431	8	BUSHING-.499 ID X .594 OD (X.250
4	3306223	2	FTG-90 EL 1/2MP X 6JIC
5	3339018	1	ASSY-BROOM DRIVE PLATE RH
6	3341147	1	MOTOR-HYD 11.8 CIR SIDE BROOM 5550
7	3342833	1	WELD-SIDE BROOM MNT RH
8	3342834	1	WELD-SIDE BROOM PIVOT RH
9	3342835	1	WELD-SIDE BROOM UPPER ARM
10	3342836	1	WELD-SIDE BROOM LOWER ARM
11	3342837	1	WELD-SIDE BROOM ADJUST RH
12	3342842	1	WELD-SIDE BROOM MNT RH
13	3343304	1	SPRING, .1625X1.03X6.5X142LB, COMP.
14	3400030	2	SCREW-HHM 3/8-16 X 1.0 LG ZP
15	3400031	1	SCR-HEX 3/8 -16X2.00 ZP
16	3400032	4	SCR-HEX 3/8-16X.75 ZP
17	3400049	1	SCR=SOC 1/4-20 X .75 ZP
18	3400068	1	NUT-HEX 3/8-16 ZP
19	3400079	2	NUT-HEX 3/8-16 ES ZP
20	3400080	2	NUT-HEX 5/16-18 ES ZP
21	3400086	8	WASHER-FLAT 1/2 STANDARD ZP
22	3400088	2	WASHER 5/16 ID .688 OD X .065 THK
23	3400101	4	WASHER-LOCK 3/8 SPLIT ZP
24	3400164	2	FTG-PLUG 3/4-16 O-RING
25	3400166	2	FTG-ADAPTER 7/8-14 EXT X 3/4-16
26	3400278	2	WASHER-FENDER 3/8 ZP
27	3400383	1	WASHER CONICAL SPRING 1/4
28	3400720	8	SCR-HSS 1/2 DIA X .50 BLK OX
29	3401053	8	NUT-HEX, JAM, 3/8-16, NYLON, ZP, SS

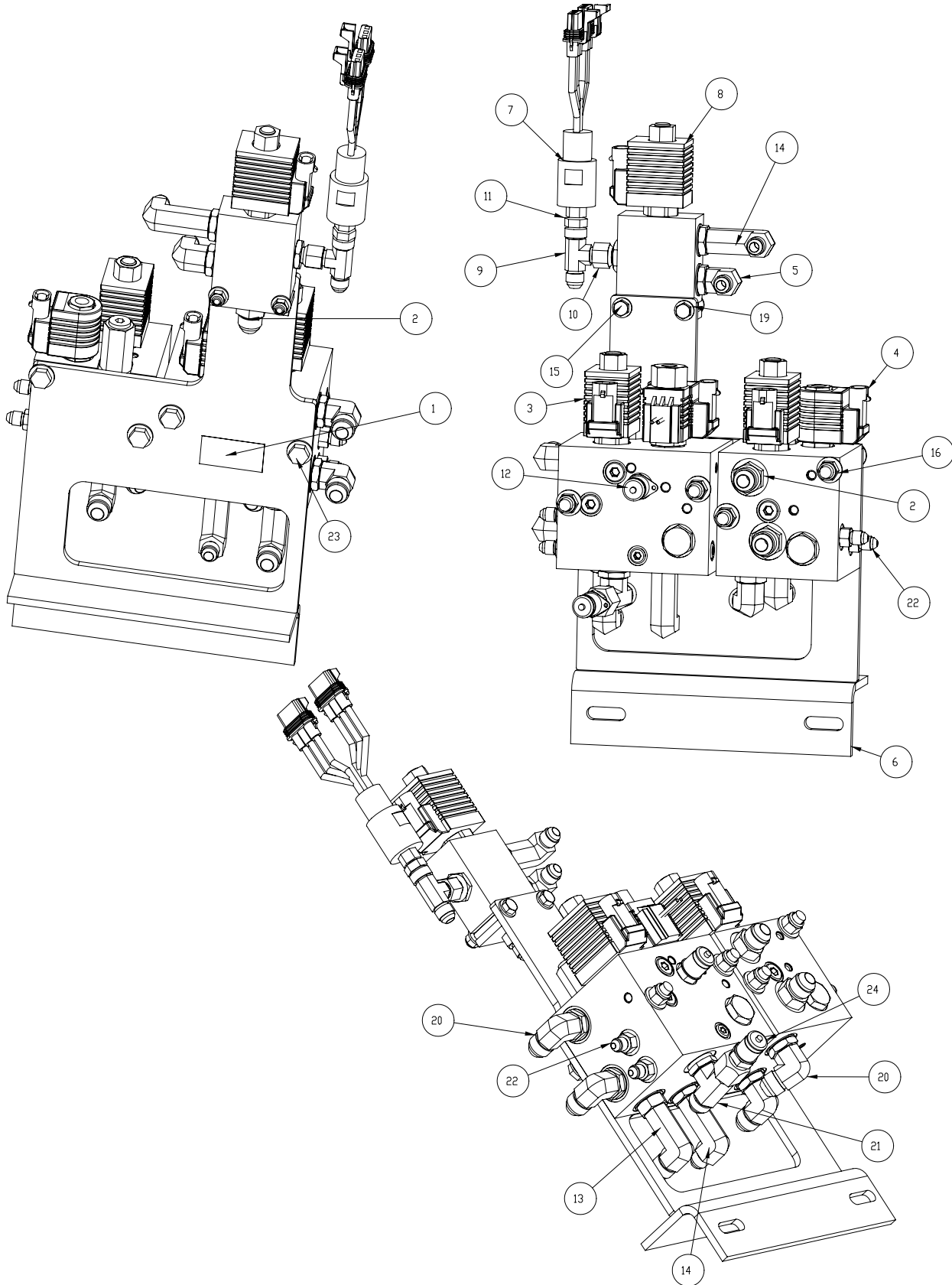
**HYDRAULIC VALVE GROUP - 3342966, REVISION \***





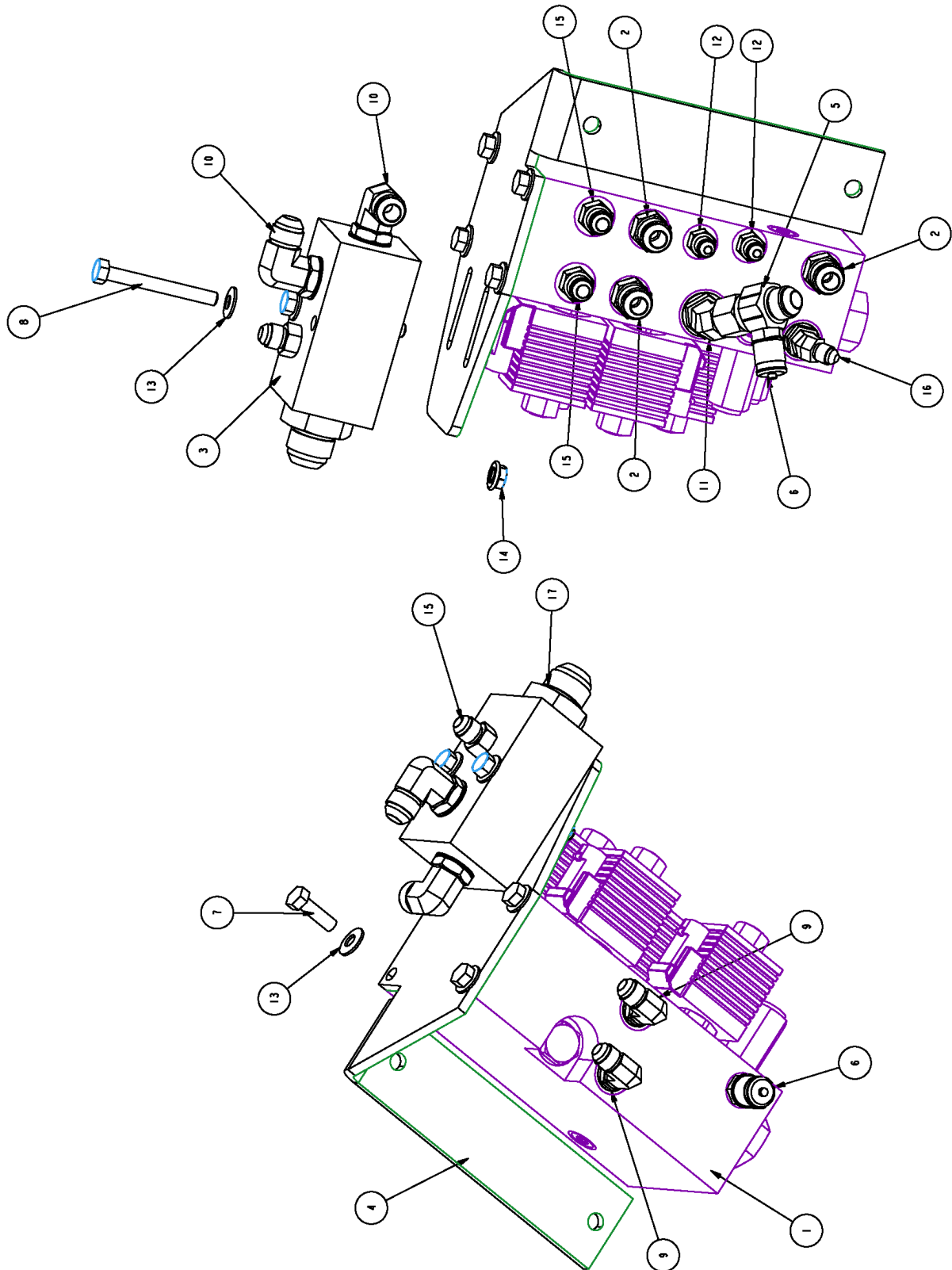
HYDRAULIC VALVE GROUP - 3342966, REVISION *			
ITEM	PART NO.	REQ'D	DESCRIPTION
1	3341693	1	SUB-MANIFOLD BLOCK LH 5550
2	3341694	1	SUB-MANIFOLD BLOCK RH 5550
3	3341695	1	ASSY-MANIFOLD CASE DRAIN
4	3400030	4	SCREW-HHM 3/8-16 X 1.0 LG ZP
5	3400080	2	NUT-HEX 5/16-18 ES ZP
6	3400088	2	WASHER 5/16 ID .688 OD X .065 THK
7	3400385	4	WASHER CONICAL SPRING 3/8

**MANIFOLD BLOCK, LEFT HAND ASSEMBLY - 3341693, REVISION D**



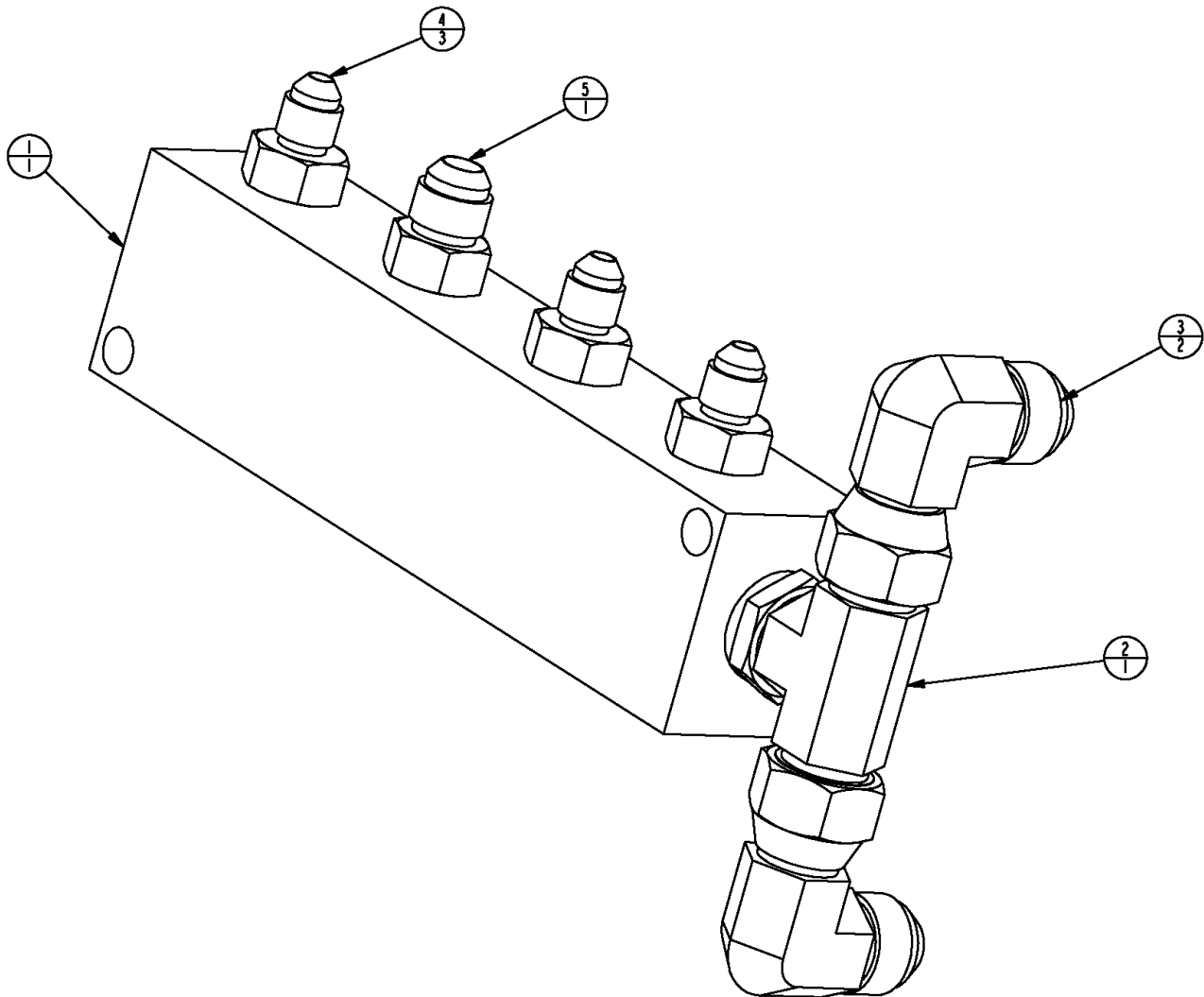
MANIFOLD BLOCK, LEFT HAND ASSEMBLY - 3341693, REVISION D			
ITEM	PART NO.	REQ'D	DESCRIPTION
1	3303495	1	DECAL-QUALITY CHECK
2	3304899	3	FTG-STR CONN 3/4-16 TO #8
3	3321435	1	VALVE-MANIFOLD 5550 SCRUB
4	3321436	1	VALVE-MANIFOLD 5550 SQUEEGEE
5	3341130	1	FTG-90 6MJIC X 8MORB
6	3341632	1	WELDMENT HYD MANIFOLD MNT 2
7	3342043	1	SWITCH_PRESSURE DUMP DOOR
8	3342072	1	VALVE-HOPPER DOOR
9	3342089	1	FTG-TEE 6JIC X 4FP
10	3342090	1	FTG-6JIC SWIVEL X 8MORB
11	3342091	1	FTG-BUSHING 4MP X 2FP
12	3342205	1	COUPLING-TEST 4MORB
13	3342828	1	FTG-90 EL LONG 3/4-16 MORB X -8JIC
14	3342829	2	FTG-90 LONG 6MJIC X 8MORB
15	3400039	2	SCR-HEX,1/4-20X2.00 ZP
16	3400079	4	NUT-HEX 3/8-16 ES ZP
17	3400081	2	NUT-HEX 1/4-20 ES ZP
18	3400087	8	WASHER 3/8 ID .81 OD X .065 THK
19	3400089	4	WASHER 1/4 ID .63 OD X .065 THK
20	3400154	4	FTG-90 EL 3/4-16 MORB X -8JIC
21	3400161	1	FTG-TEE 3/4-16 MORB X -8JIC
22	3400212	4	FTG-4MORB X 4JIC
23	3402075	4	SCR-HEX 3/8-16 X 4.50 ZP
24	3342203	1	COUPLING-TEST 8FJIC SWIVEL

**MANIFOLD BLOCK, RIGHT HAND ASSEMBLY - 3341694, REVISION B**



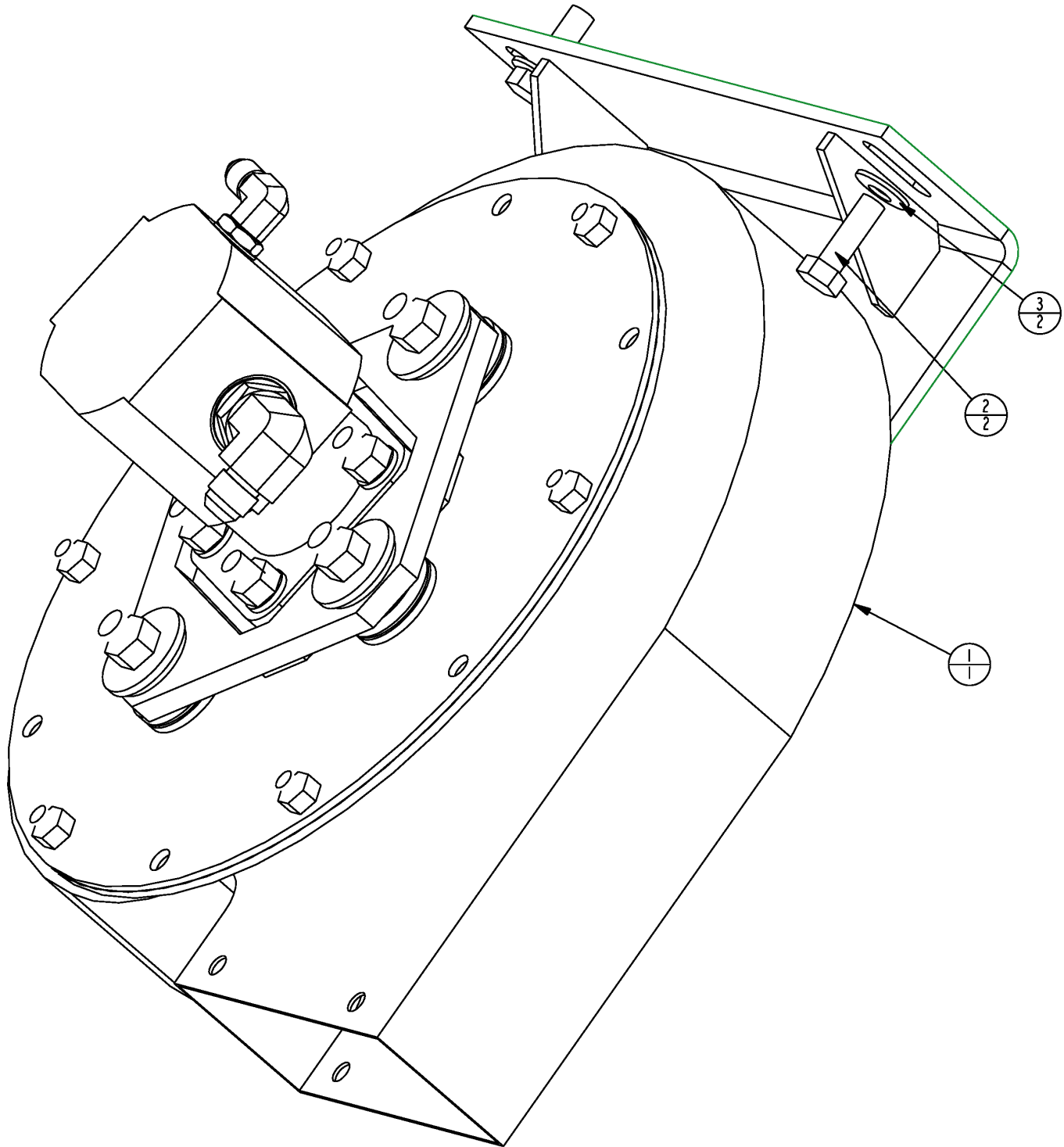
<b>MANIFOLD BLOCK, RIGHT HAND ASSEMBLY - 3341694, REVISION B</b>			
<b>ITEM</b>	<b>PART NO.</b>	<b>REQ'D</b>	<b>DESCRIPTION</b>
1	3321434	1	HYDRAULIC MANIFOLD BLOCK
2	3341125	3	FTG-STR CONN 9/16-18 TO #8
3	3341313	1	MANIFOLD-HYD RETURN LINE
4	3341635	1	PLT-HYD MANIFOLD MOUNT2
5	3342204	1	FTG-GAUGE PORT -8 JIC
6	3342205	2	COUPLING-TEST 4MORB
7	3400035	4	SCR-HEX 5/16-18X1.00 ZP
8	3400037	2	SCREW-HHM 5/16-18 X 2.75 LG ZP
9	3400153	2	FTG-90 6MJIC X 6MORB
10	3400154	2	FTG-90 EL 3/4-16 MORB X -8JIC
11	3400157	1	FTG-45 3/4-16 TO #8
12	3400212	2	FTG-4MORB X 4JIC
13	3400384	6	WASHER CONICAL SPRING 5/16
14	3400390	2	NUT-FLANGE LOCK 5/16-18
15	3400635	3	FTG-STR 6MJIC 6MOR
16	3401050	1	FTG-45 DEG 9/16-18 TO #4
17	3402003	1	FTG-ADAPTER STRAIGHT 12MJIC X 16MORB

**MANIFOLD CASE DRAIN ASSEMBLY - 3341695, REVISION \***



MANIFOLD CASE DRAIN ASSEMBLY - 3341695, REVISION *			
ITEM	PART NO.	REQ'D	DESCRIPTION
1	3341314	1	MANIFOLD-HYD CASE DRAIN
2	3400161	1	FTG-TEE 3/4-16 MORB X -8JIC
3	3400244	2	FTG-90 SWIVEL 8JIC
4	3400264	3	FTG-STR 4MJIC X 6MORB
5	3400635	1	FTG-STR 6MJIC 6MOR

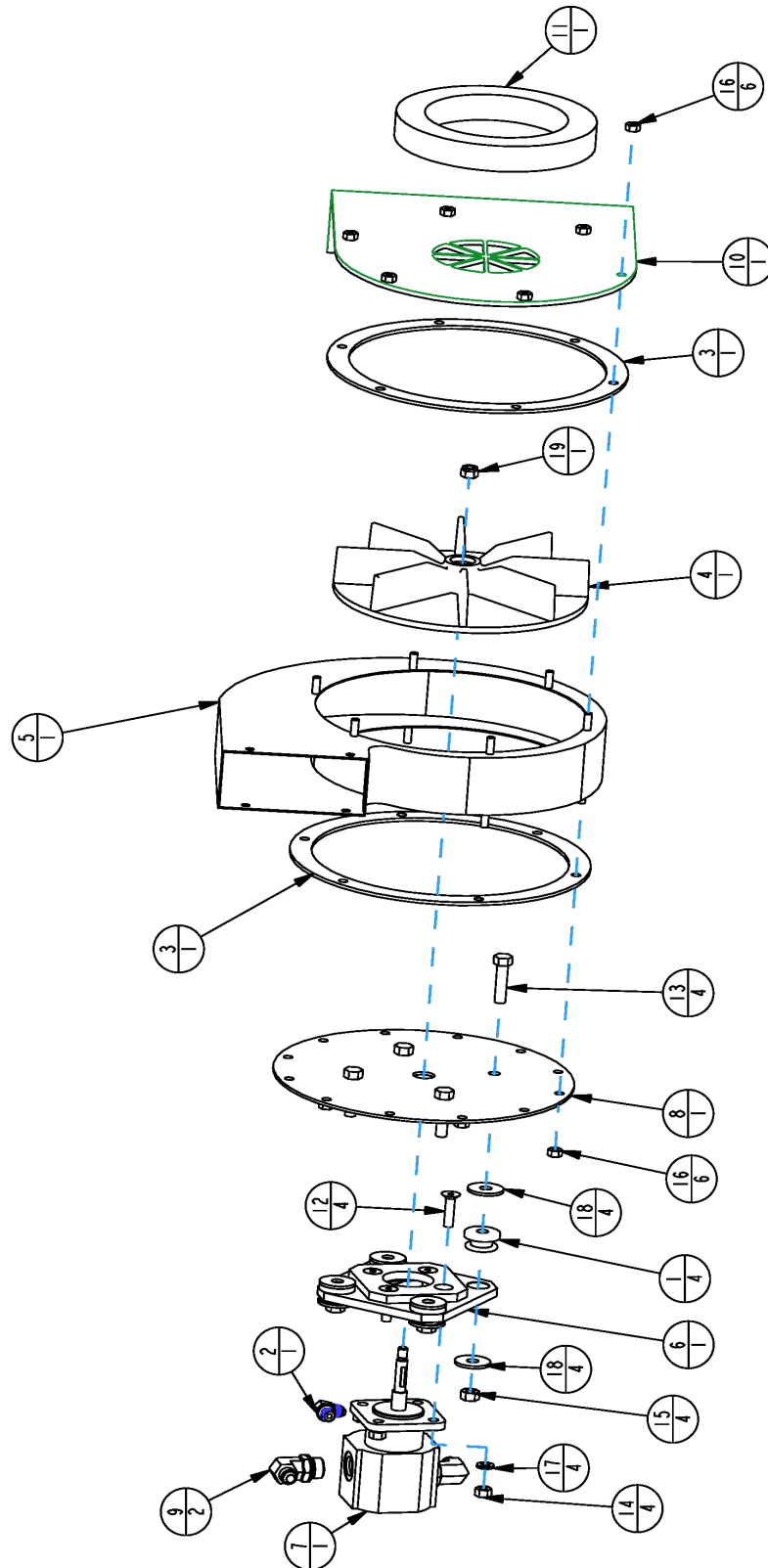
IMPELLER, DUST CONTROL GROUP - 3342651, REVISION \*





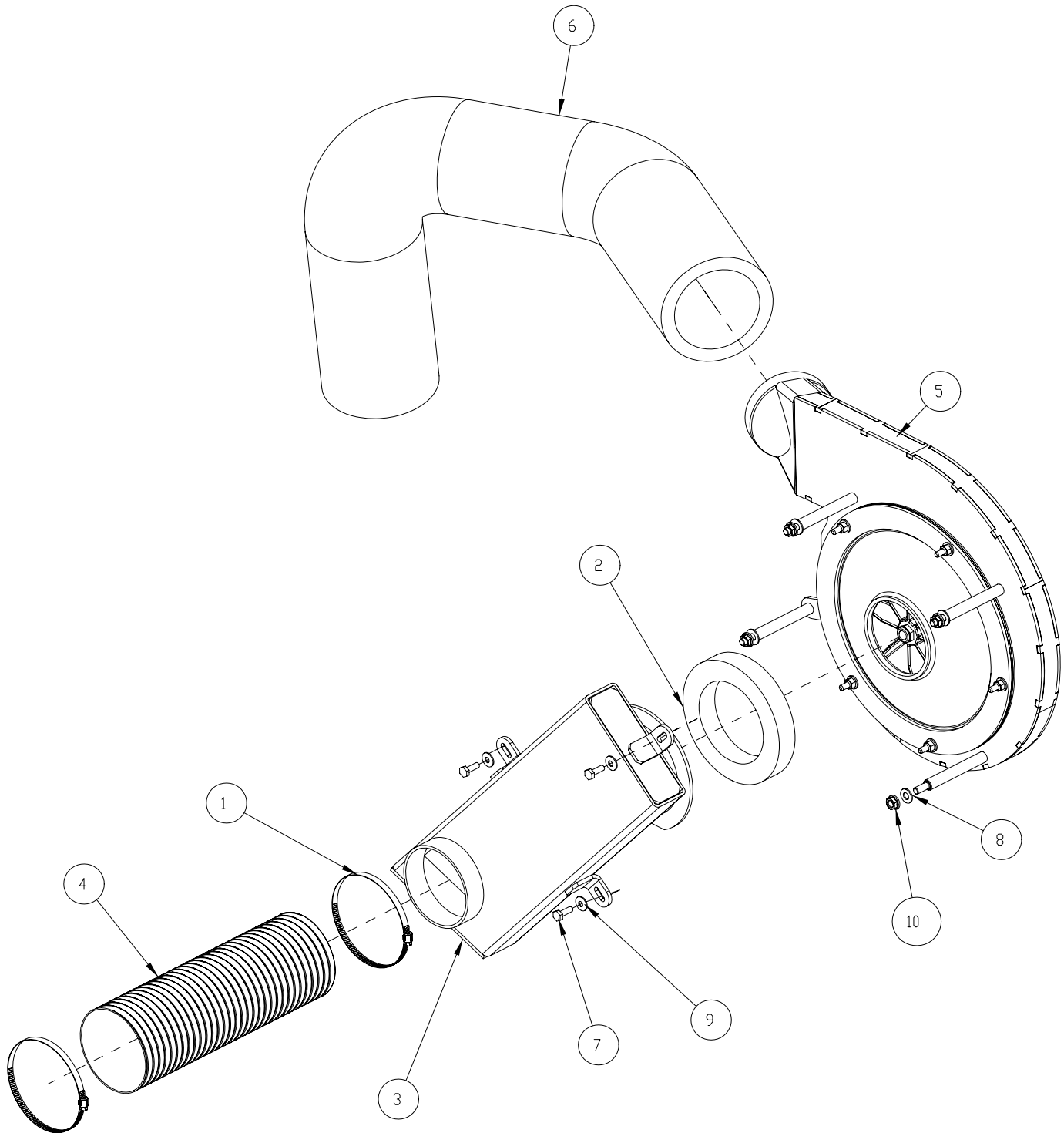
IMPELLER, DUST CONTROL GROUP - 3342651, REVISION *			
ITEM	PART NO.	REQ'D	DESCRIPTION
1	3341659	1	SUB-IMPELLER DUST CTRL
2	3400035	2	SCR-HEX 5/16-18X1.00 ZP
3	3400384	2	WASHER CONICAL SPRING 5/16

**IMPELLER, DUST CONTROL ASSEMBLY - 3341659, REVISION A**



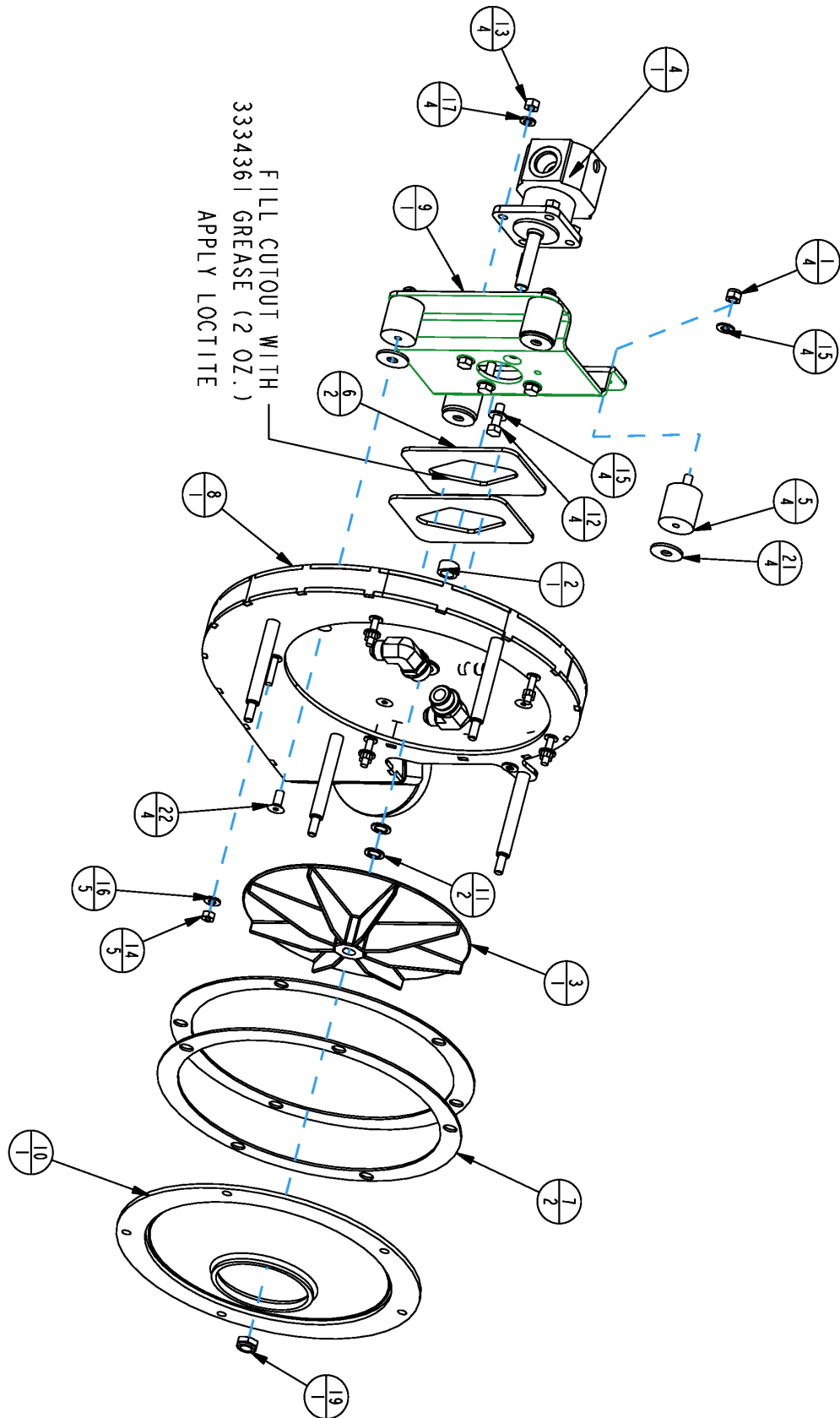
IMPELLER, DUST CONTROL ASSEMBLY - 3341659, REVISION A			
ITEM	PART NO.	REQ'D	DESCRIPTION
1	3300465	4	MOUNT-ISO IMP MNT
2	3302407	1	FTG-90 EL 4MORB X 4MJIC
3	3304183	2	GASKET-IMPELLER
4	3307003	1	BLADE-IMPELLER
5	3307004	1	SHROUD-IMPELLER
6	3307152	1	WELD-MOTOR MNT IMP
7	3316832	1	MOTOR-HYD IMP 0.323 CIR
8	3322121	1	MNT-IMPELLER MOTOR
9	3341130	2	FTG-90 6MJIC X 8MORB
10	3341509	1	WELD-IMP BRKT
11	3343141	1	GASKET-PORON, DUST IMPELLER
12	3400016	4	SCREW-FLAT HEAD 5/16-18 X 1.25, SOC ZP
13	3400028	4	SCR-HEX 3/8 -16X1.50 ZP
14	3400070	4	NUT, HEX 5/16-18 ZP
15	3400079	4	NUT-HEX 3/8-16 ES ZP
16	3400081	12	NUT-HEX 1/4-20 ES ZP
17	3400102	4	WASHER-LOCK 5/16 SPLIT ZP
18	3400278	8	WASHER-FENDER 3/8 ZP
19	3400420	1	NUT-HEX NYLOC 5/16-24

IMPELLER, SQUEEGEE GROUP - 3343242, REVISION A



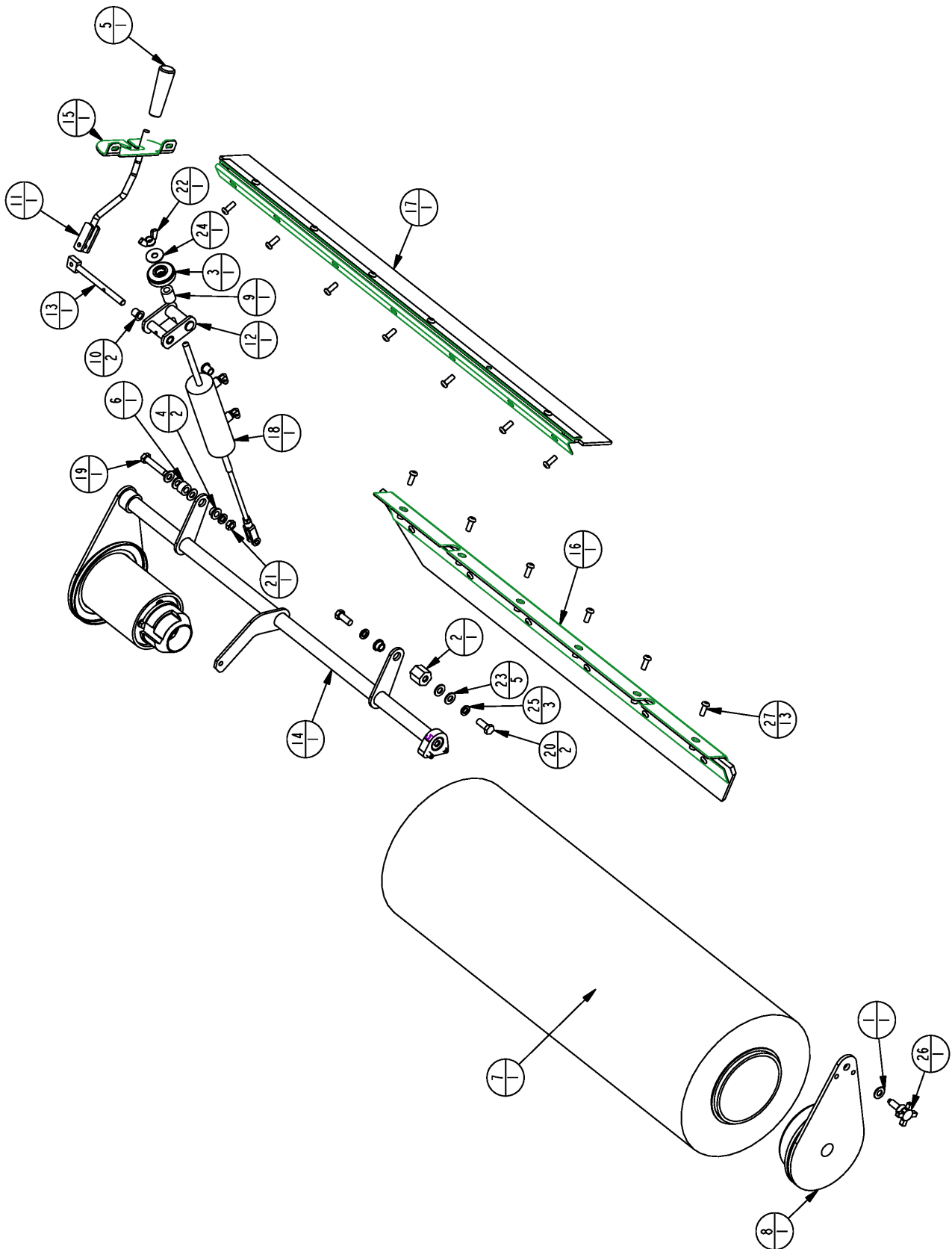
IMPELLER, SQUEEGEE GROUP - 3343242, REVISION A			
ITEM	PART NO.	REQ'D	DESCRIPTION
1	3300351	2	HOSE CLAMP 4 1/2
2	3307005	1	GASKET-IMPELLER SW/A
3	3341513	1	WELD-AIR PLENUM
4	3341520	1	HOSE, IMPELLER
5	3342662	1	IMPELLER ASSY-SQUEEGEE
6	3342793	1	HOSE-IMPELLER EXHAUST, REDUCED
7	3400042	3	SCR-HEX 1/4-20X.75 ZP
8	3400384	3	WASHER CONICAL SPRING 5/16
9	3400383	3	WASHER CONICAL SPRING 1/4
10	3400390	4	NUT-FLANGE LOCK 5/16-18

**IMPELLER, SQUEEGEE ASSEMBLY - 3342662, REVISION A**



IMPELLER, SQUEEGEE ASSEMBLY - 3342662, REVISION A			
ITEM	PART NO.	REQ'D	DESCRIPTION
1	711374	4	NUT-NYLOC 5/16-18
2	3306827	1	SPACER-HYD IMPELLER
3	3341155	1	BLADE-IMPELLER 5550
4	3342510	1	MOTOR-HYD IMP 0.162 CIR
5	3342539	4	ISOLATOR-IMP MNT
6	3342543	2	GASKET-MOTOR MOUNT
7	3342723	2	GASKET-IMPELLER TOP
8	3342727	1	WELD-IMPELLER HSG
9	3342728	1	MOUNT-IMP MOTOR
10	3342749	1	WELD-IMPELLER TOP
11	3342941	2	SHIM-ARBOR, .75 OD X .50 ID X .062 THK
12	3400035	4	SCR-HEX 5/16-18X1.00 ZP
13	3400070	4	NUT, HEX 5/16-18 ZP
14	3400081	5	NUT-HEX 1/4-20 ES ZP
15	3400088	8	WASHER 5/16 ID .688 OD X .065 THK
16	3400089	5	WASHER 1/4 ID .63 OD X .065 THK
17	3400102	4	WASHER-LOCK 5/16 SPLIT ZP
18	3400155	2	FTG-90 EL 8JIC X 10MORB
19	3400188	1	NUT-JAM 1/2-20 NYLOC ZP
20	3400212	1	FTG-4MORB X 4JIC
21	3400278	4	WASHER-FENDER 3/8 ZP
22	3400297	4	SCREW-FLAT HEAD 5/16-18 X 3/4, SOC ZP

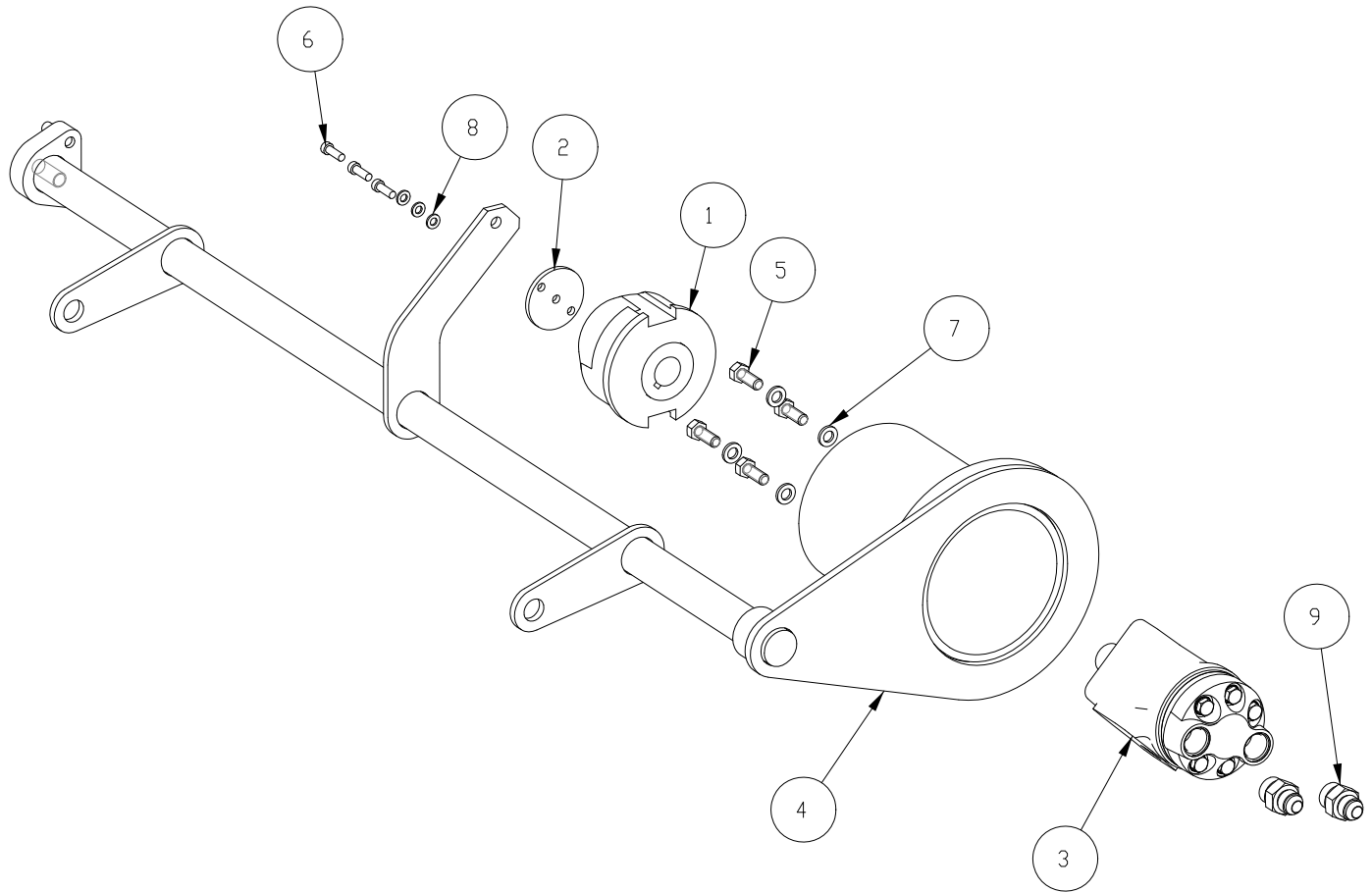
**MAIN BROOM GROUP - 3342652, REVISION \***





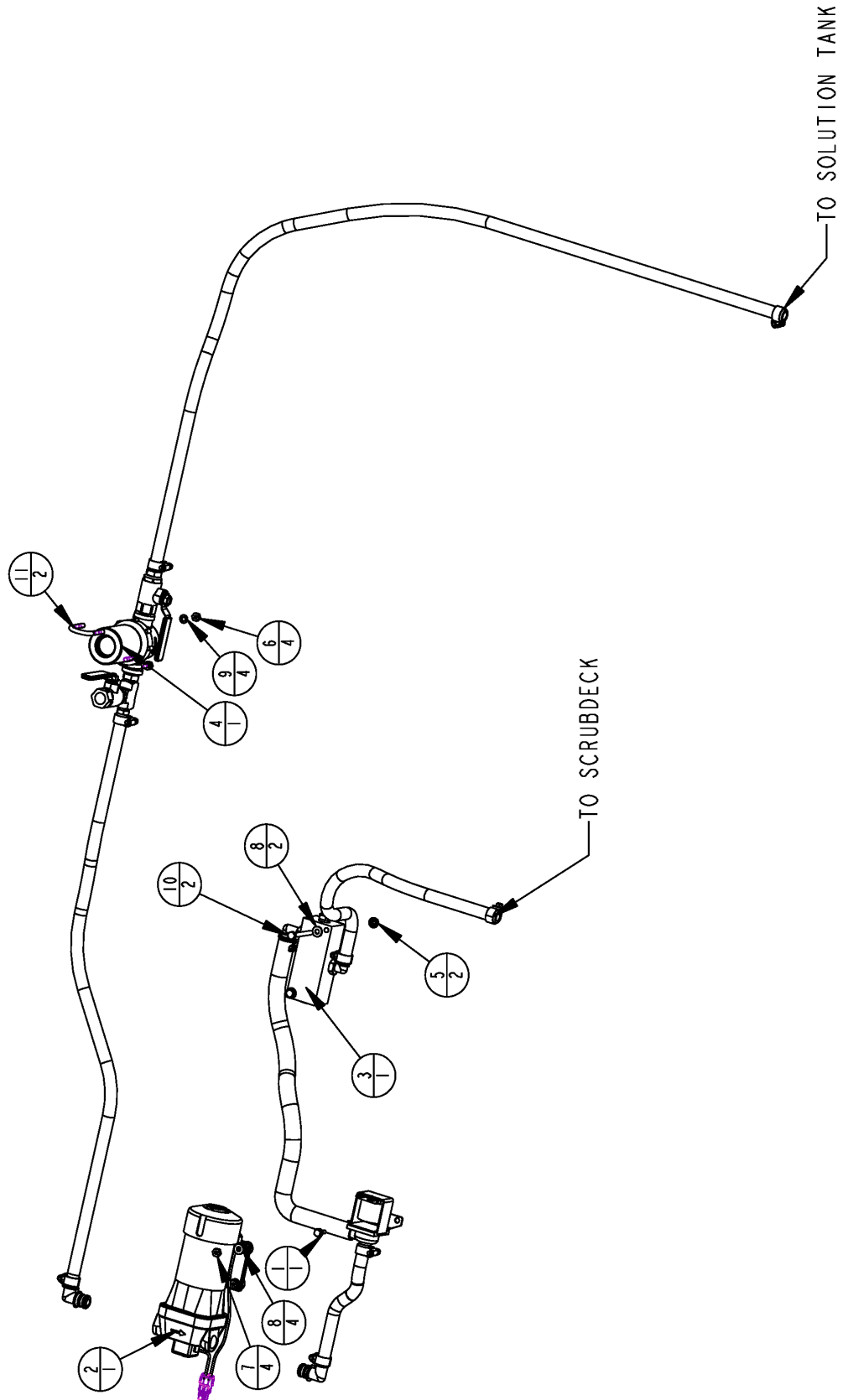
MAIN BROOM GROUP - 3342652, REVISION *			
ITEM	PART NO.	REQ'D	DESCRIPTION
1	711509	1	WSR-FLAT 1/2 (.54X1.082X.087)
2	3300064	1	BLOCK-ADJUSTMENT FINISH BROOM
3	3300352	1	KNOB-MAIN BROOM LIFT ADJ
4	3300432	2	BUSHING-BRONZE FLANGED 1/2" ID
5	3300558	1	KNOB-TAPERED #145 BLACK
6	3301440	1	SPACER-MAIN BROOM PLTD
7	3305662	1	BROOM-42" PROEX & WIRE
8	3305833	1	ASSY-BROOM IDLER SUB
9	3307181	1	SPACER-MAIN BROOMPLTD
10	3308376	2	BUSHING-FLG 1/2 X 5/8 X 3/4
11	3341473	1	WELD-MB FLOAT ARM
12	3341474	1	WELD-MB YOKE
13	3341476	1	WELD-MB YOKE PIN
14	3341654	1	SUB-5550 MB
15	3342505	1	RET-MB FLOAT ARM
16	3343077	1	SEAL, MAIN BROOM
17	3343078	1	SEAL, MAINBROOM
18	3343157	1	BROOM LIFT CYLINDER ASSEMBLY
19	3400019	1	SCR-HEX 1/2-13 X 2.50 ZP
20	3400022	2	SCR-HEX 1/2-13 X 1.25 ZP
21	3400065	1	NUT-HEX 1/2-13 ZP
22	3400084	1	NUT-WING 1/2-13 ZP
23	3400086	5	WASHER-FLAT 1/2 STANDARD ZP
24	3400091	1	WASHER-FENDER 1/2 ZP
25	3400098	3	WASHER-LOCK 1/2 SPLIT ZP
26	3400748	1	KNOB-HAND 1/2-13 X 1.5
27	3400790	13	SCREW BH 3/8-16 X 1.0 LG

**MAIN BROOM ASSEMBLY - 3341654, REVISION C**



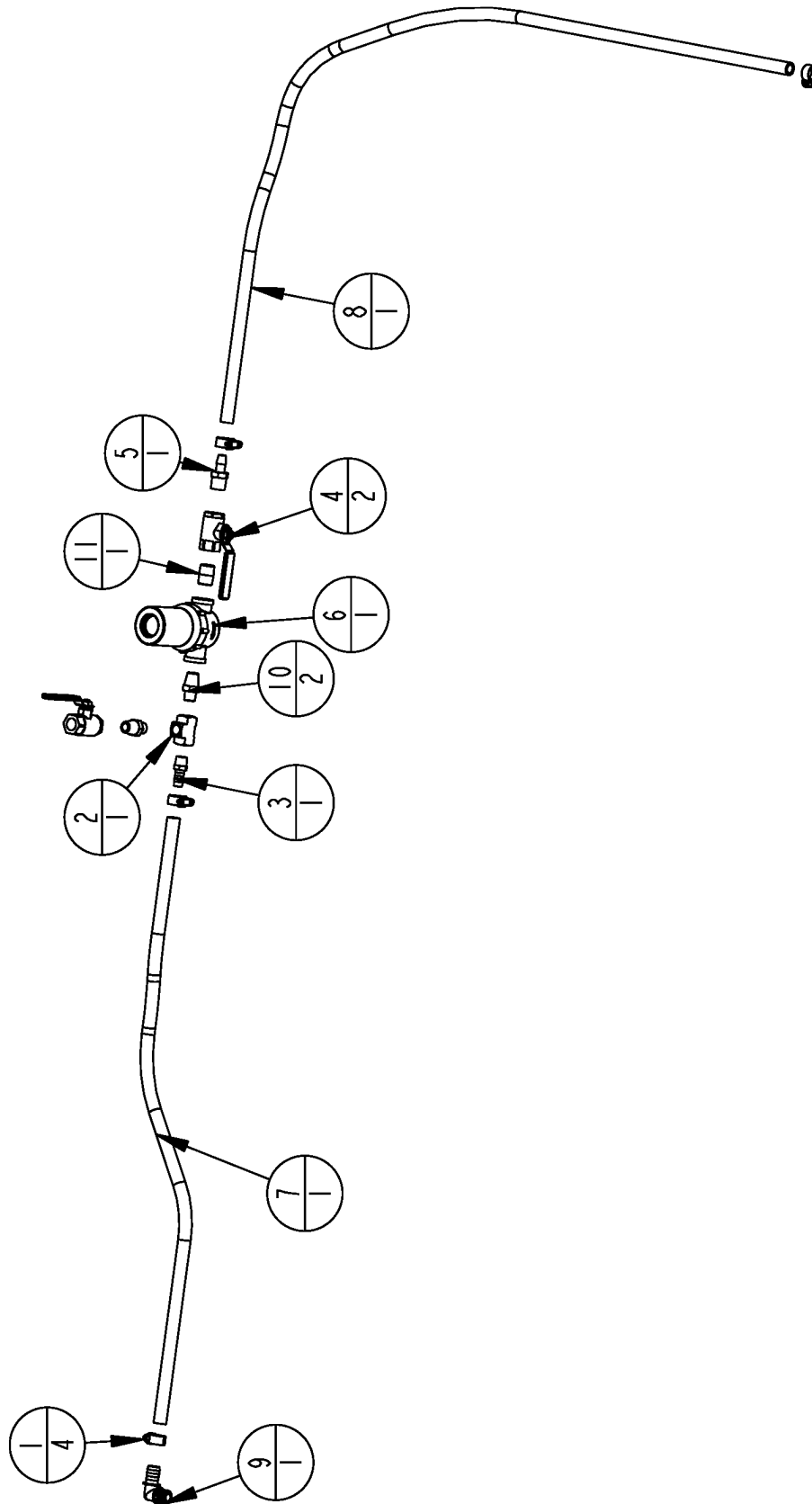
MAIN BROOM ASSEMBLY - 3341654, REVISION C			
ITEM	PART NO.	REQ'D	DESCRIPTION
1	3301050	1	HUB-MAIN BROOM-DRIVE PNTD
2	3301285	1	RETAINER-DRIVE HUB FIN
3	3341152	1	MOTOR-HYD 3.0 CIR MB 5
4	3341479	1	WELD-MAIN BROOM MNT
5	3400030	4	SCREW-HHM 3/8-16 X 1.0 LG
6	3400049	3	SCR=SOC 1/4-20 X .75 ZP
7	3400101	4	WASHER-LOCK 3/8 SPLIT ZP
8	3400103	3	WASHER-LOCK 1/4 SPLIT ZP
9	3400151	2	FTG-7/8-14 STOR TO 3/4-16

**MAIN PLUMBING GROUP - 3343156, REVISION \***



MAIN PLUMBING GROUP - 3343156, REVISION *			
ITEM	PART NO.	REQ'D	DESCRIPTION
1	3311374	1	SCR-HEX 1/4-14 X .75 LG SELF TAP
2	3342895	1	SUB-FLOJET 12 V PUMP W/PACKARD
3	3343154	1	SUB-SOLUTION VALVE/MANIFOLD
4	3343155	1	SUB-SOLUTION FILTER/ BALL VALV
5	3400063	2	NUT-FLANGE LOCK 1/4-20 ZP
6	3400071	4	NUT-HEX 1/4-20 ZP
7	3400081	4	NUT-HEX 1/4-20 ES ZP
8	3400089	6	WASHER 1/4 ID .63 OD X .065 THK
9	3400103	4	WASHER-LOCK 1/4 SPLIT ZP
10	3400433	2	SCR-HEX,1/4-20X2.50 ZP
11	3401981	2	U-BOLT 1/4-20

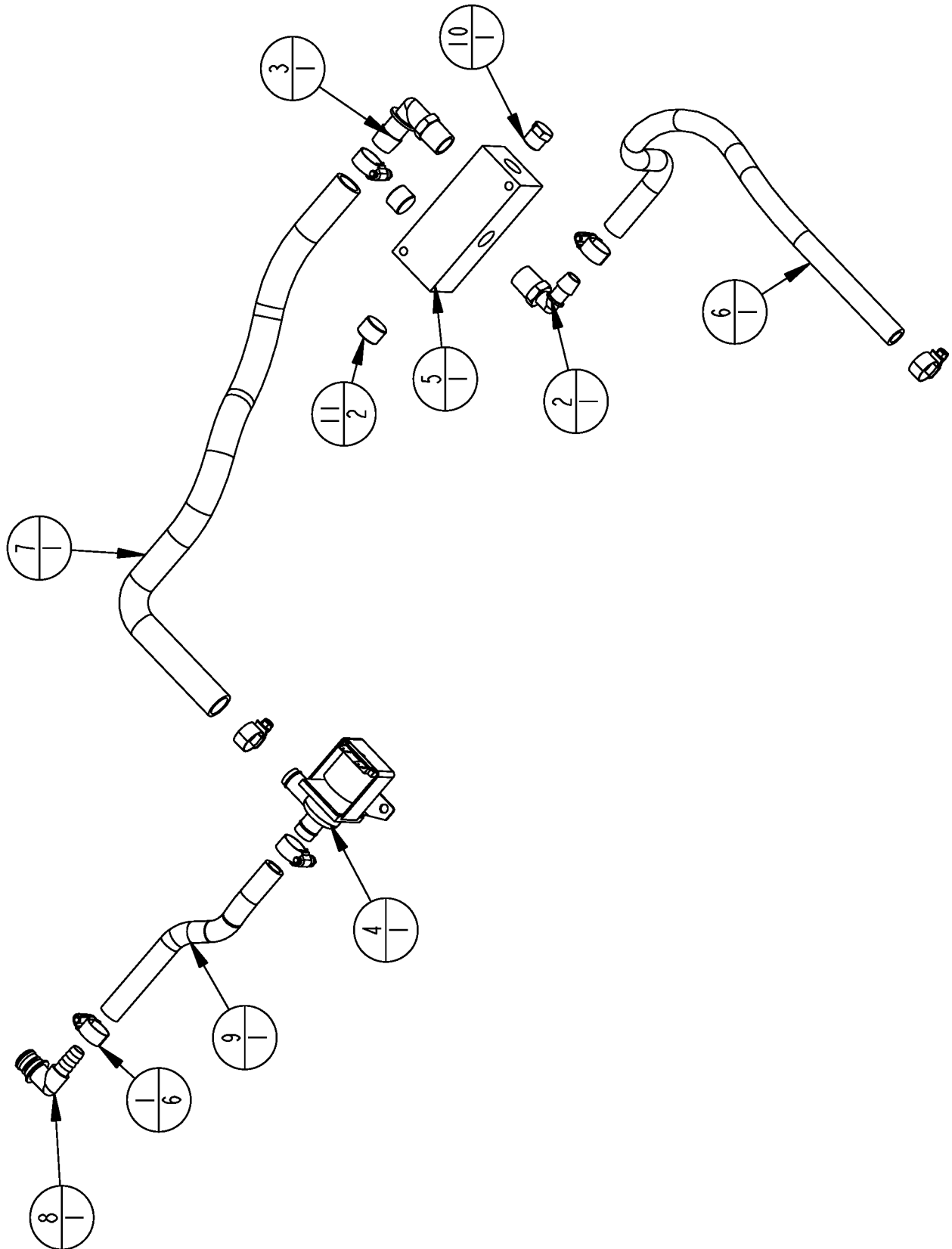
**SOLUTION FILTER ASSEMBLY - 3343155, REVISION \***



**SOLUTION FILTER ASSEMBLY - 3343155, REVISION \***

ITEM	PART NO.	REQ'D	DESCRIPTION
1	3302144	4	CLAMP-HOSE 1/2
2	3303303	1	FTG-TEE 3/8 FPT
3	3307829	1	FTG-HOSE BARB 1/2 X 3/8 MPT
4	3313199	2	VALVE-BALL 1/2 FPT BRASS
5	3315534	1	FTG-1/2 ID X 1/2 MPT
6	3323501	1	FILTER-40 MESH INLINE
7	3341604	1	HOSE-PLUMBING PRE PUMP
8	3341605	1	HOSE-PLUMBING PRE FILTER
9	3343153	1	FTG-3/4 90 HOSE BARB ORING FTG
10	3383329	2	FITTING-1/2MPT 3/8MPT BRASS
11	3383465	1	FITTING BRASS NIPPLE 1/2MPT

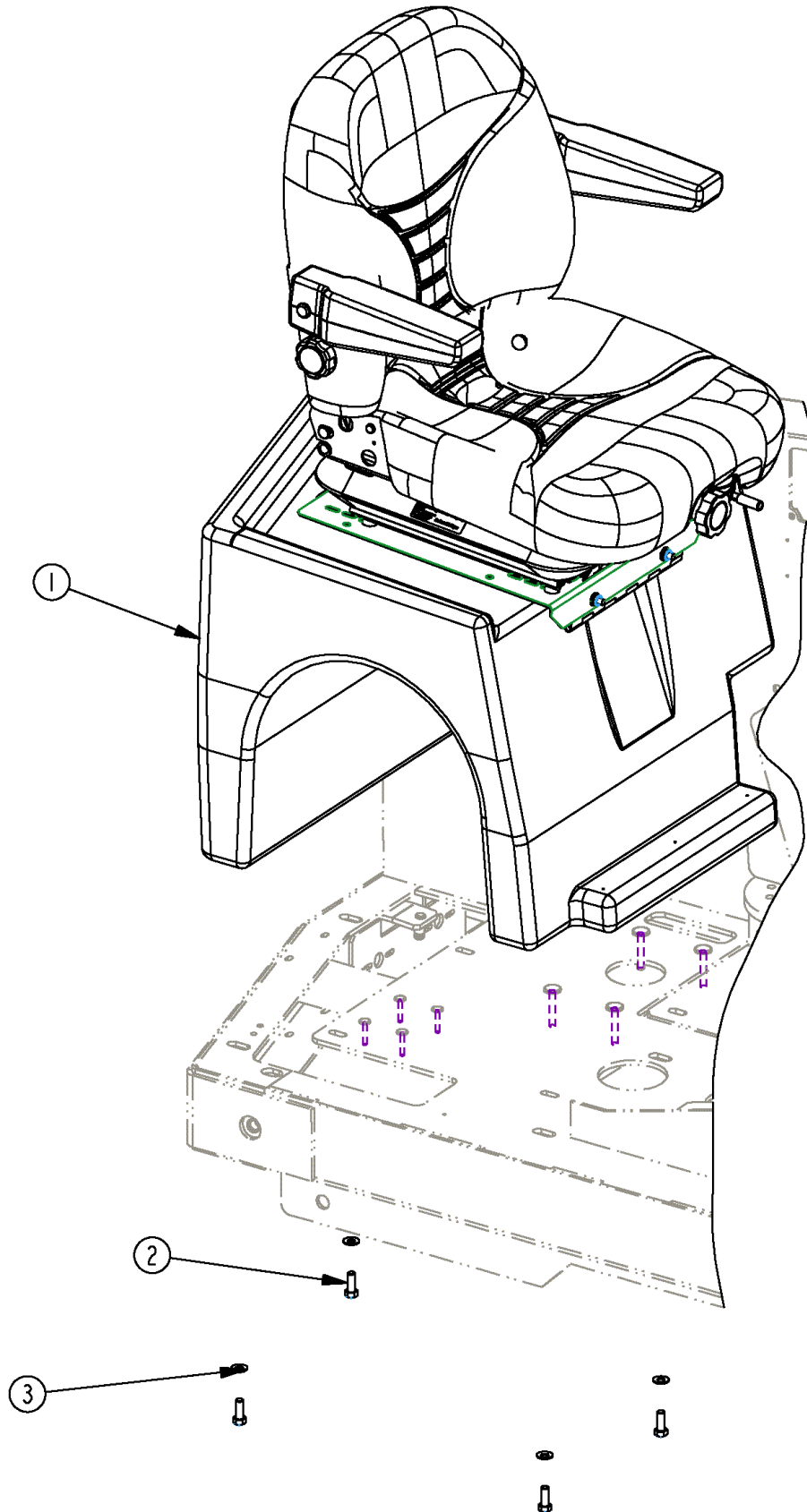
**SOLUTION VALVE ASSEMBLY - 3343154, REVISION \***





SOLUTION VALVE ASSEMBLY - 3343154, REVISION *			
ITEM	PART NO.	REQ'D	DESCRIPTION
1	3302144	6	CLAMP-HOSE 1/2
2	3315535	1	FTG-90 DEG 1/2 ID X 1/2 MPT
3	3315536	1	FTG-90 DEG 1/2 ID X 1/2 MPT
4	3322671	1	VALVE-SOL SHUTOFF SOLENOID 12V
5	3341108	1	MANIFOLD-PLUMBING
6	3341602	1	HOSE-PLUMBING POST MANIFOLD
7	3341603	1	HOSE-PLUMBING POST PUMP
8	3342083	1	FTG-1/2 90 HOSE BARB ORING FTG
9	3342088	1	HOSE-SOLENOID TO PUMP FTGS.
10	3400194	1	FTG-PIPE PLUG 3/8 MPT HEX
11	3400217	2	FTG-PIPE PLUG HEX SOC 1/2 MPT

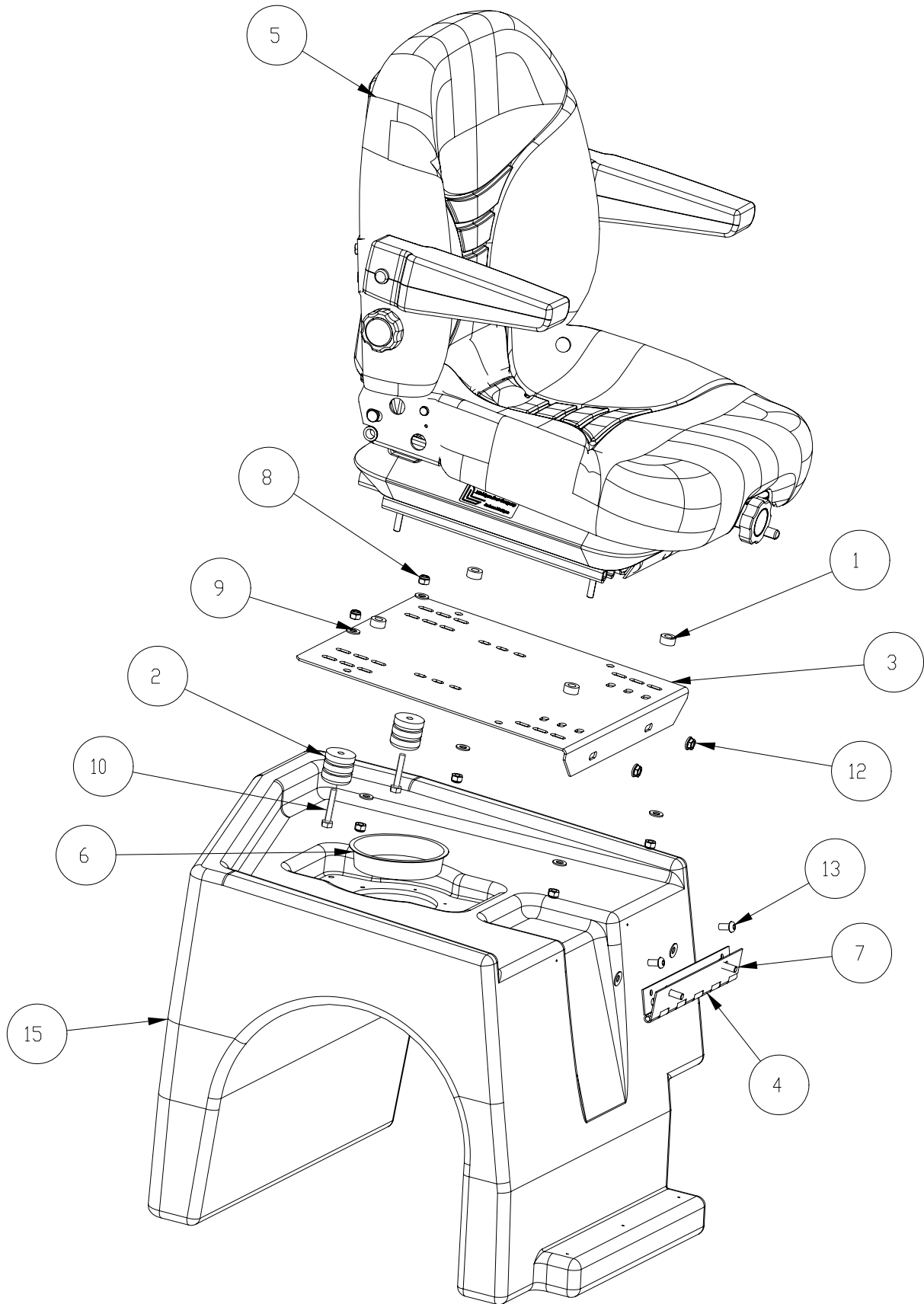
SEAT GROUP - 3342657, REVISION \*



**SOLUTION VALVE ASSEMBLY - 3343154, REVISION \***

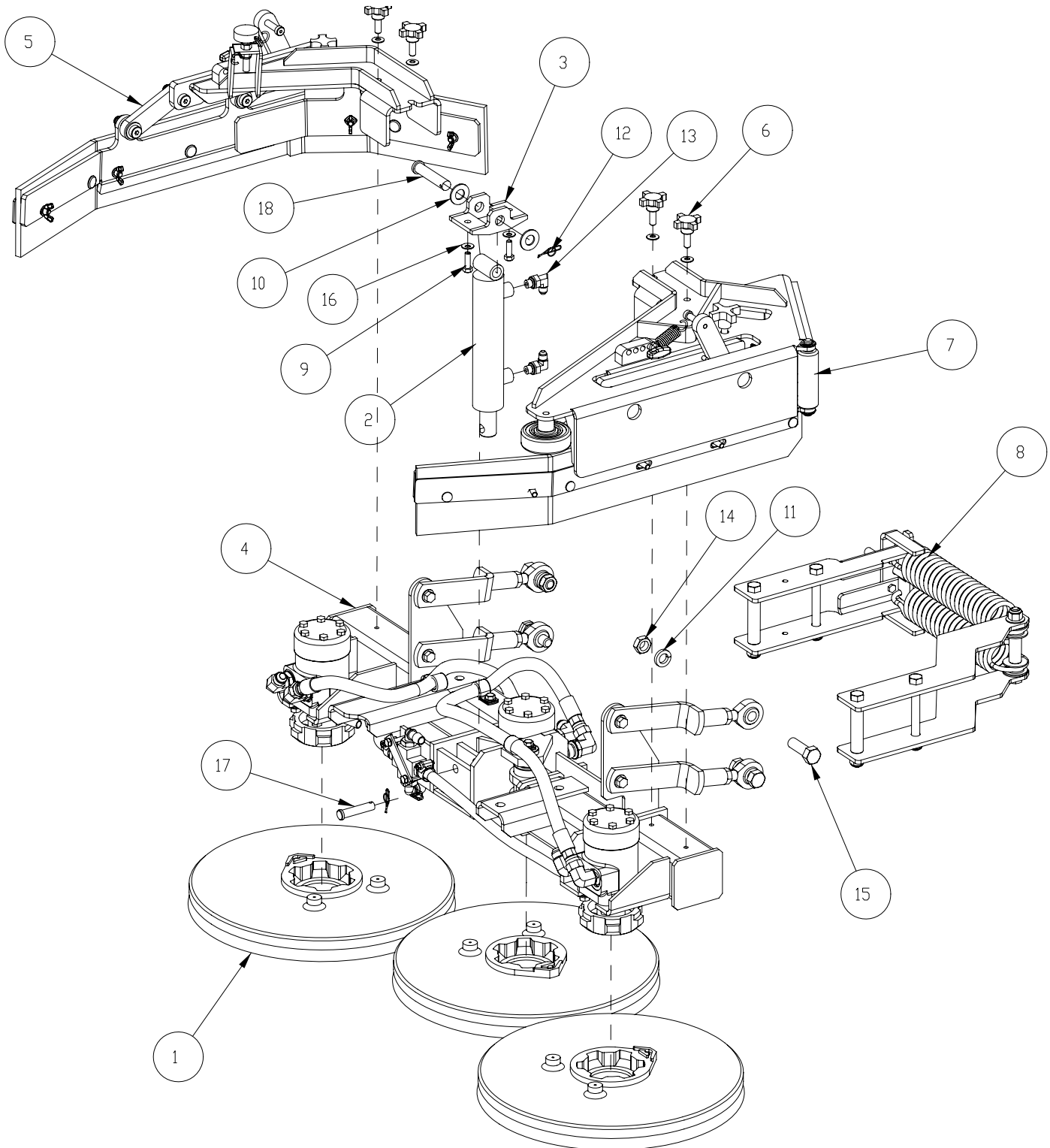
ITEM	PART NO.	REQ'D	DESCRIPTION
1	3342806	1	SUB-SEAT CLIP. HAKO 1800
2	3400030	4	SCREW-HHM 3/8-16 X 1.0 LG ZP
3	3400385	4	WASHER CONICAL SPRING 3/8

**SEAT CLIP ASSEMBLY - 3342806, REVISION B**



SEAT CLIP ASSEMBLY - 3342806, REVISION B			
ITEM	PART NO.	REQ'D	DESCRIPTION
1	3301085	4	SPACER-FRONT BUMPER PLTD
2	3302482	6	BUMPER-SEAT MOUNT
3	3309027	1	MOUNT-SEAT UNIVERSAL
4	3309028	1	UNIVERSAL SEAT MNT HINGE
5	3342103	1	SEAT-5300 SERIES MICHIGAN
6	3342189	1	PLUG, PLASTIC 5550 REAR SEAT C
7	3400036	2	BOLT-HH 5/16-18X3/4
8	3400080	6	NUT-HEX 5/16-18 ES ZP
9	3400088	6	WASHER 5/16 ID .688 OD X .065
10	3400311	2	SCR-HEX,5/16-18 X 1.75 ZP FULL
11	3400384	2	WASHER CONICAL SPRING 5/16
12	3400390	2	NUT-FLANGE LOCK 5/16-18
13	3401061	2	SCREW_BHCS 5/16-18 X 5/8 LG SS
14	3401390	1	LOCTITE 242
15	341004HK	1	SEAT CLIP/SOAP TANK

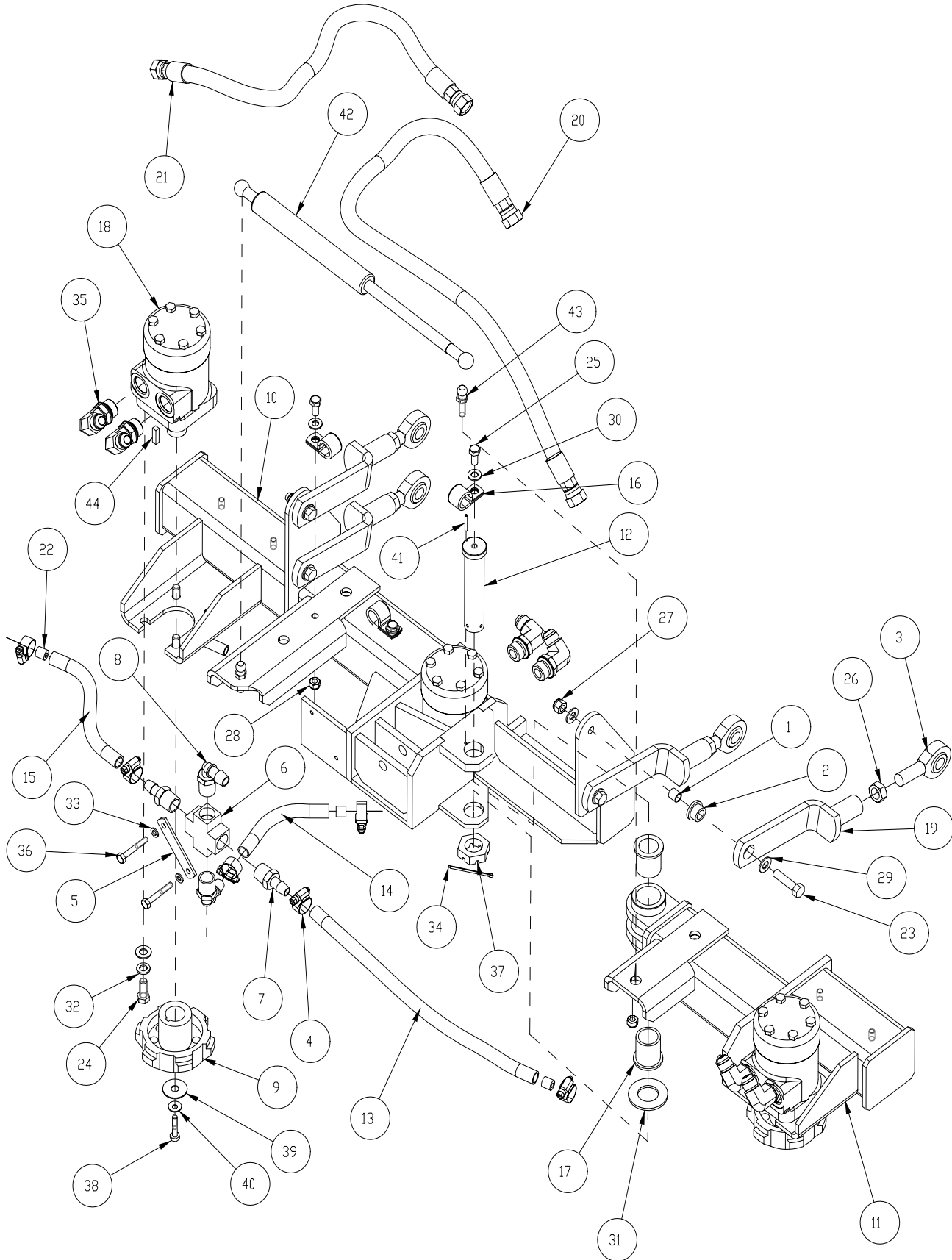
**SCRUBDECK / SIDE SQUEEGEE GROUP - 3342654, REVISION \***



**SCRUBDECK / SIDE SQUEEGEE GROUP - 3342654, REVISION \***

ITEM	PART NO.	REQ'D	DESCRIPTION
1	3332545	3	BRUSH-16" MID GRIT
2	3341073	1	CYL-1.5 BORE X 4" STROKE
3	3341397	1	WELD-LIFT BLK SCRUBDECK
4	3341650	1	ASSY - SCRUBDECK
5	3341658	1	SUB-SIDE SQ ASSY LH 5550
6	3342128	4	KNOB-FLUTED 5/16-18 X 1
7	3342516	1	SUB-5550 SIDE SQ ASSY RH
8	3344122	1	KIT-SCRUBDECK GAS SPRING REPLCEMENT
9	3400035	2	SCR-HEX 5/16-18X1.00 ZP
10	3400094	2	WASHER-FLAT 5/8 ZP
11	3400097	4	WSR-LOCK 5/8
12	3400124	2	PIN-COTTER 5/8 RUE-RING
13	3400152	2	FTG-90 1/2-20 TO #5
14	3400192	4	NUT-JAM 5/8-11
15	3400209	4	SCREW-HHM 5/8-11 X 2.0 LG ZP
16	3400384	6	WASHER CONICAL SPRING 5/16
17	3400755	1	PIN-CLEVIS 1/2 X 2.25 ZP
18	3402069	1	PIN-CLEVIS 5/8 X 3 ZP

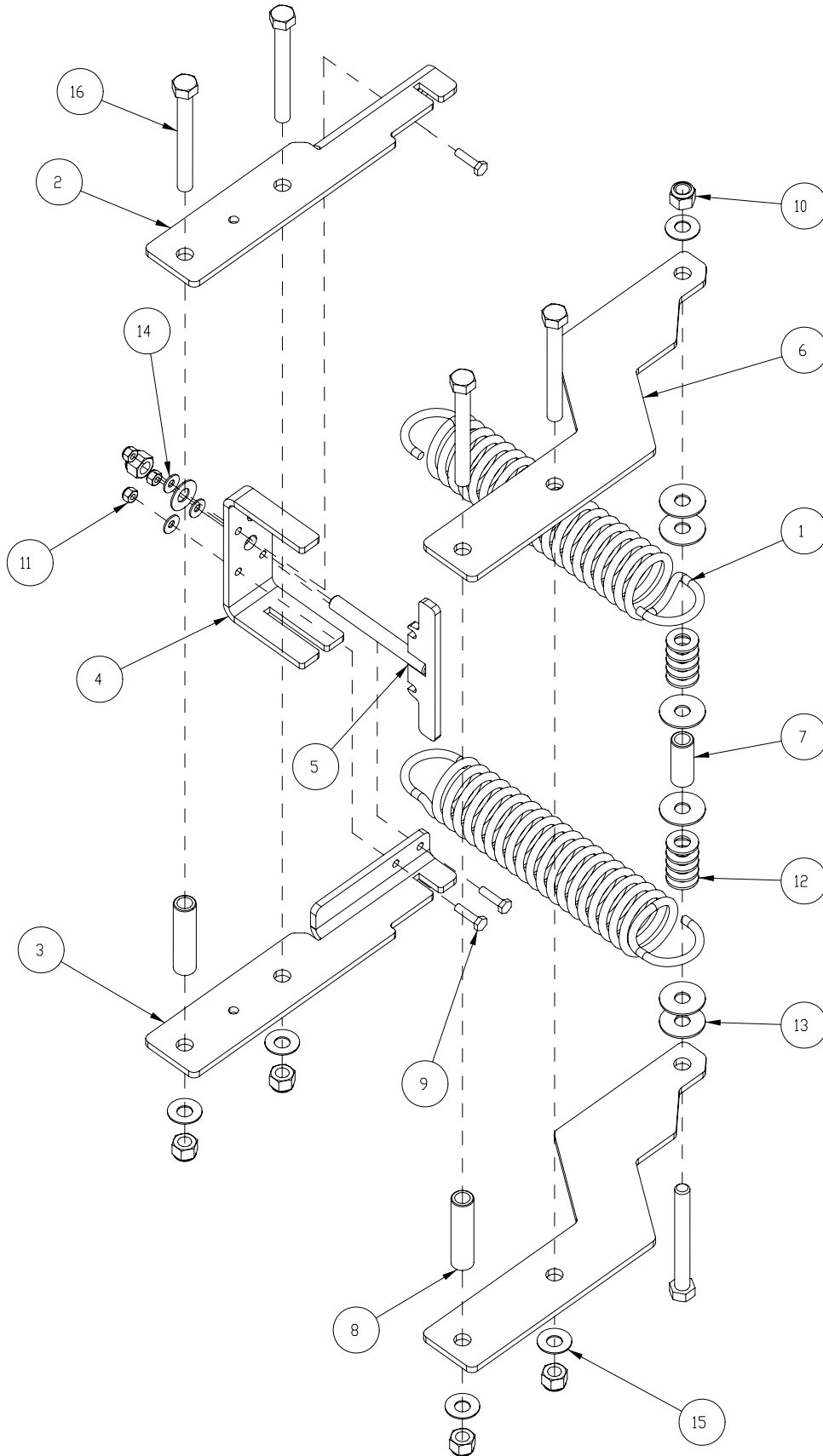
**SCRUBDECK ASSEMBLY - 3341650, REVISION B**





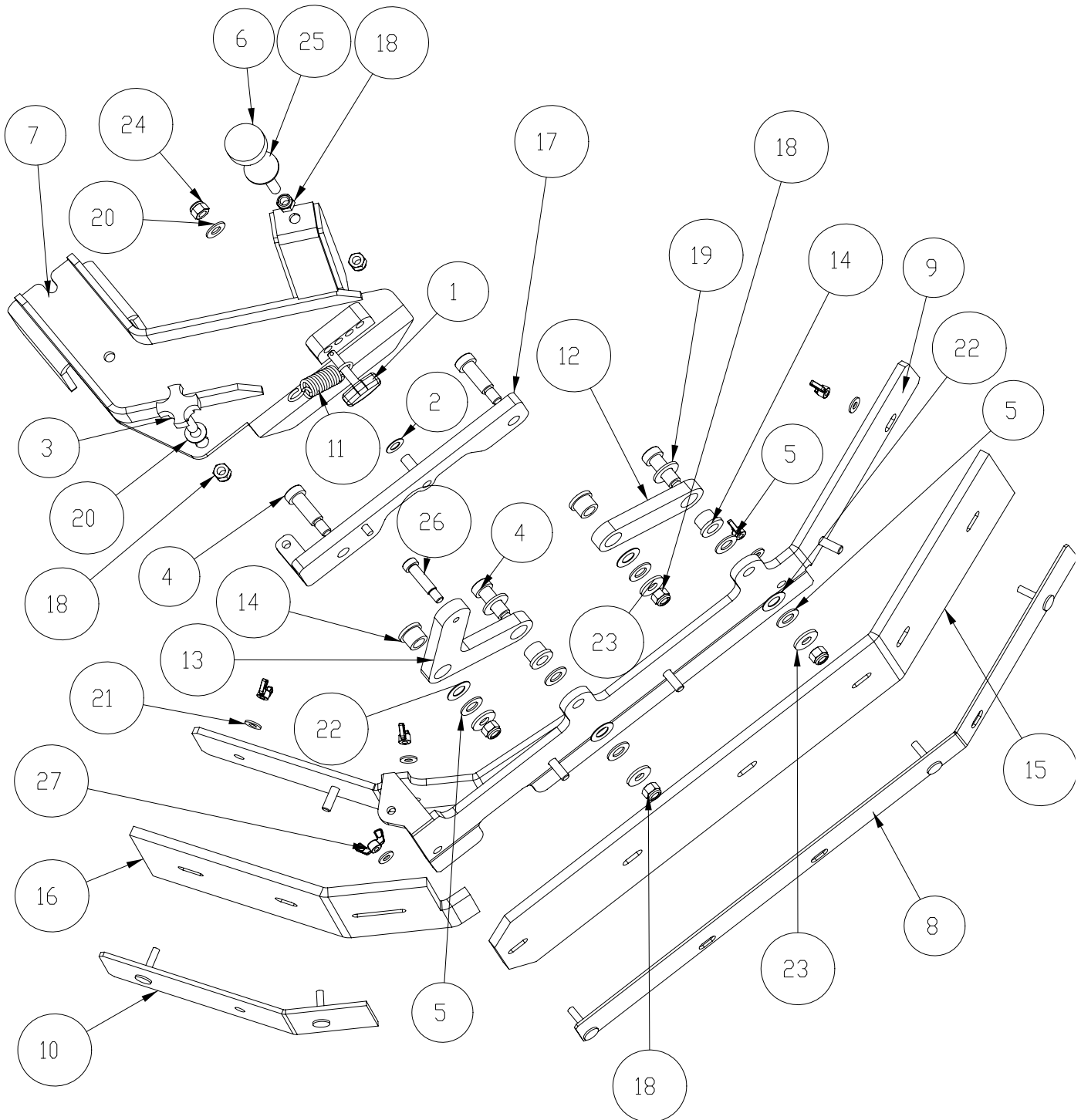
SCRUBDECK ASSEMBLY - 3341650, REVISION B			
ITEM	PART NO.	REQ'D	DESCRIPTION
1	3300339	4	SLEEVE-SQ & FWD/REV
2	3300432	4	BUSHING-BRONZE FLANGED 1/2" ID
3	3300457	4	ROD END-SPHERICAL 5/8
4	3302144	6	CLAMP-HOSE 1/2
5	3313130	1	BAR-RETAINER
6	3313188	1	FTG-CROSS 1/2 FPT BRASS
7	3315534	2	FTG-1/2 ID X 1/2 MPT
8	3315535	2	FTG-90 DEG 1/2 ID X 1/2 MPT
9	3324451	3	DRIVER-SCRUB BRUSH
10	3335688	1	WELD-SCRUBDECK LH
11	3335701	1	WELD-SCRUBDECK RH
12	3335702	1	POST-PIVOT SCRUBDECK
13	3336063	1	TUBE - PVC, BRAIDED .50" ID
14	3336064	1	TUBE - PVC, BRAIDED .50" ID
15	3336065	1	TUBE - PVC, BRAIDED .50" ID
16	3336068	3	CLAMP - P TYPE, HD .75" ID, VINYL COATED
17	3341098	2	BEARING-PSF SLEEVE 1"
18	3341151	3	MOTOR-HYD 7.6 CIR SIDE PORT
19	3341428	4	WELD-LIFT ARM SCRUBDECK
20	3341750	1	HOSE-.50 AR 33.5 ST#8 ST#8
21	3342065	1	HOSE-.50 AR 24.0 ST#8 ST#8
22	3342171	3	SPACER-15/16IDX1/2ODX1/2
23	3400028	4	SCR-HEX 3/8 -16X1.50 ZP
24	3400030	12	SCREW-HHM 3/8-16 X 1.0 LG ZP
25	3400036	3	BOLT-HH 5/16-18X3/4
26	3400074	4	NUT-HEX JAM 5/8-18 ZP
27	3400079	4	NUT-HEX 3/8-16 ES ZP
28	3400080	2	NUT-HEX 5/16-18 ES ZP
29	3400087	20	WASHER 3/8 ID .81 OD X .065 THK
30	3400088	3	WASHER 5/16 ID .688 OD X .065 THK
31	3400093	1	WASHER 1.0 ID 2.0 OD X .134 THK
32	3400101	12	WASHER-LOCK 3/8 SPLIT ZP
33	3400103	2	WASHER-LOCK 1/4 SPLIT ZP
34	3400122	1	COTTER PIN 1/8 X 2
35	3400155	6	FTG-90 EL 8JIC X 10MORB
36	3400173	2	SCREW-HHM 1/4-20 X 1.75 LG ZP
37	3400223	1	NUT-SLOTTED, 1-20UNEF
38	3400227	3	SCREW-HHM 1/4-20 X 1.25 LG ZP
39	3400278	3	WASHER-FENDER 3/8 ZP
40	3400383	3	WASHER CONICAL SPRING 1/4
41	3400731	1	PIN-ROLL 1/8 X 1
42	3402079	1	GAS SPRING-SCRUBDECK
43	340208	2	STUD-BALL 13MM
44	3402043	3	KEY-1/4 X 1/4 X 1.25

**KIT SCRUBDECK GAS SPRING REPLACEMENT - 3344122, REVISION B**



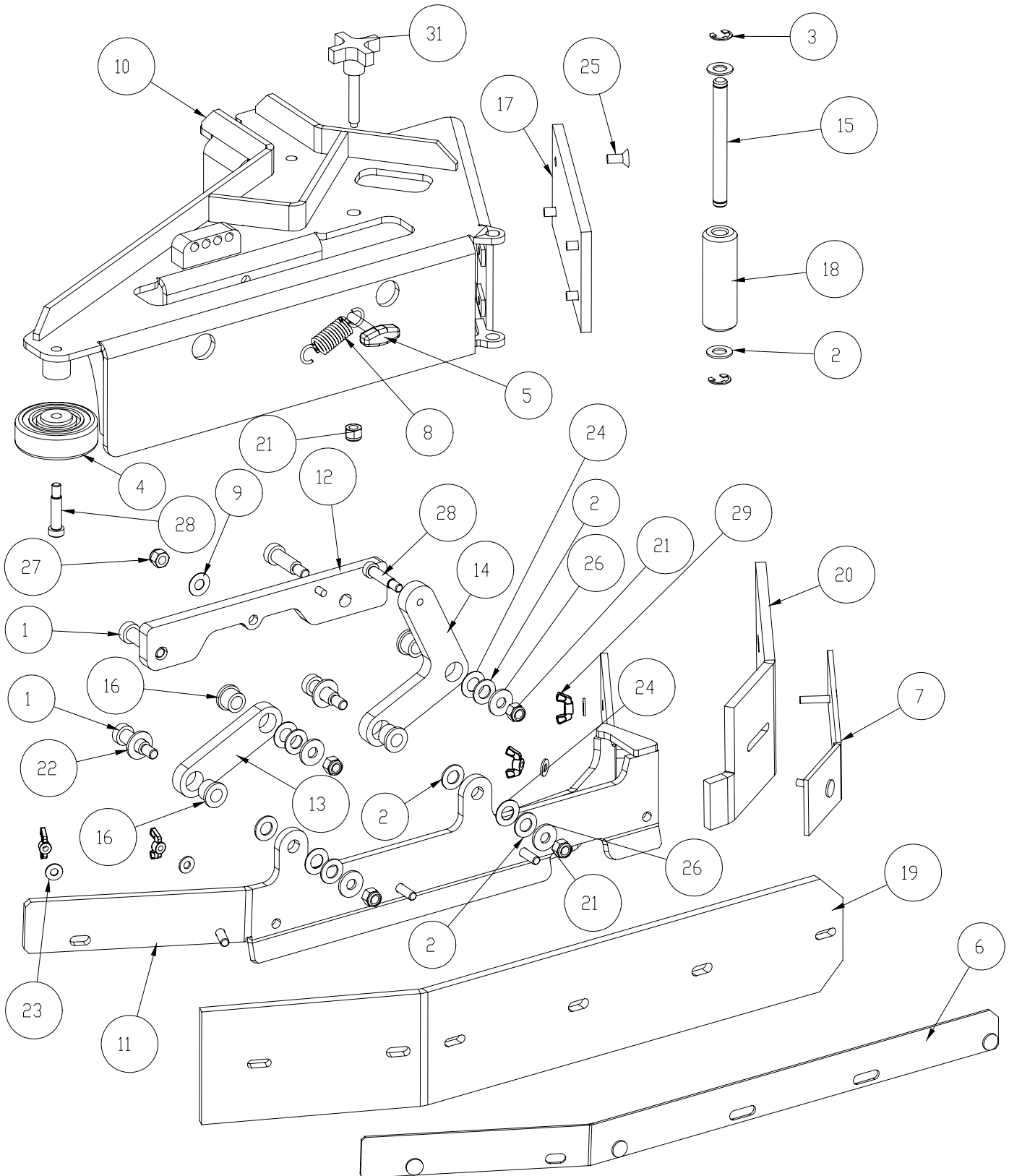
KIT SCRUBDECK GAS SPRING REPLACEMENT - 3344122, REVISION B			
ITEM	PART NO.	REQ'D	DESCRIPTION
1	3344121	2	SPRING - EXTENSION KIT SCRUBDECK
2	3344132	1	PLT - BRKT KIT SPRING RH UPPER
3	3344133	1	PLT - BRKT SPRING KIT LOWER LH
4	3344135	1	PLT - BRKT SPRING KIT GUIDE
5	3344137	1	WD - SPRING KIT TENSIONER
6	3344139	2	PLT - BRKT KIT SPRING RH
7	3344140	1	TUBE - .51 ID X .75 OD X 1.865
8	3344141	2	TUBE - .51 ID X .75 OD X 3.00
9	3400040	3	SCR-HEX 1/4-20X1.00Z P
10	3400078	6	NUT-HEX 1/2-13 ES ZP
11	3400081	3	NUT-HEX 1/4-20 ES ZP
12	3400086	10	WASHER-FLAT 1/2 STANDARD ZP
13	3400091	6	WASHER-FENDER 1/2 ZP
14	3400383	3	WASHER CONICAL SPRING 1/4
15	3400387	6	WASHER-CONICAL SPRING 1/2
16	3401558	5	SCR-HEX 1/2-13 X 4.50 LG, GRADE 8

**SIDE SQUEEGEE, LEFT HAND ASSEMBLY - 3341658, REVISION E**



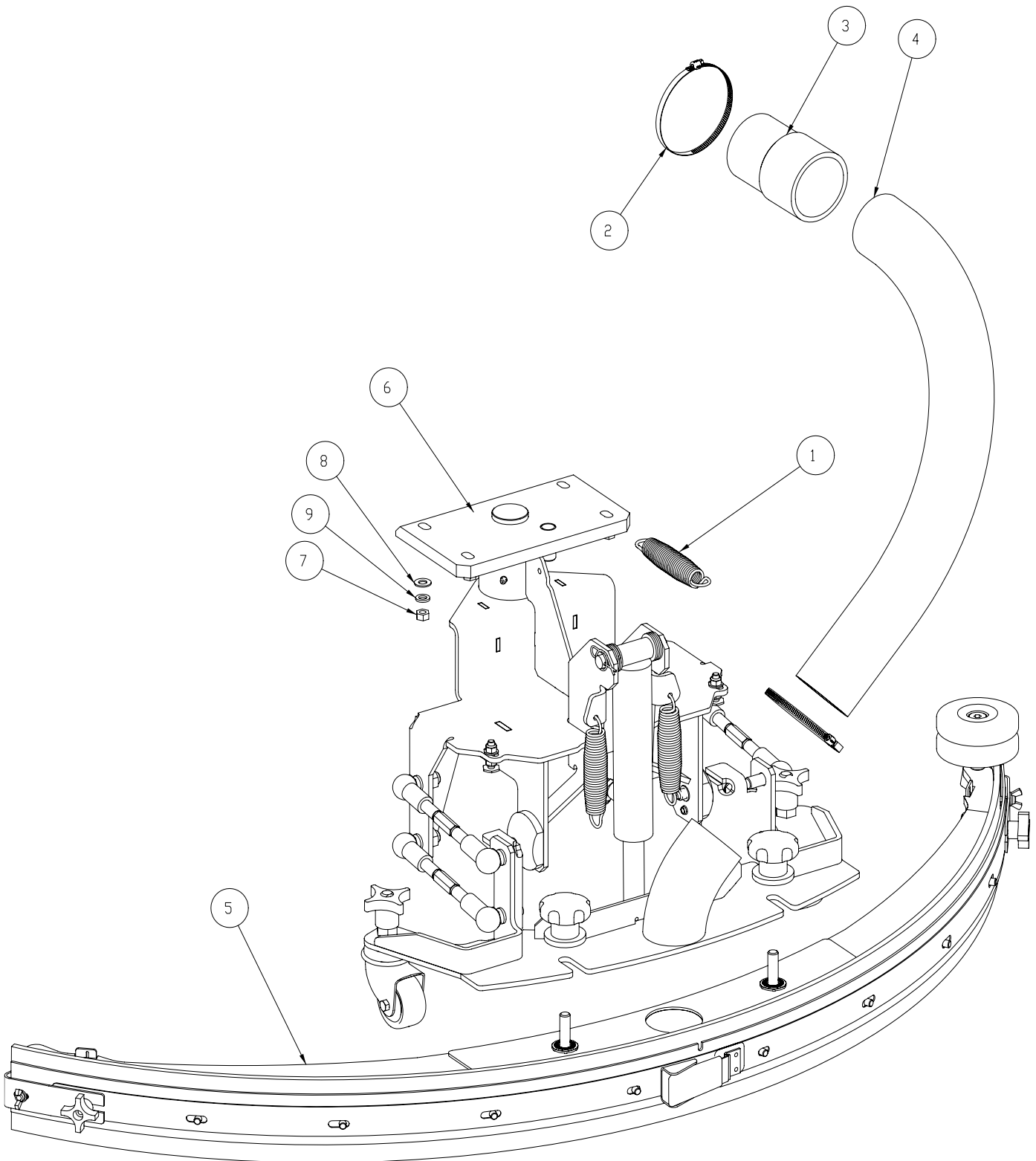
SIDE SQUEEGEE, LEFT HAND ASSEMBLY - 3341658, REVISION E			
ITEM	PART NO.	REQ'D	DESCRIPTION
1	333518	1	5/16 X 1.50 BALL DETENT T-HANDLE
2	341955	1	WASHER-3/8" FIBERGLIDE THRUST
3	402065	1	KNOB-3/8-16 X 2.00 FLUTED
4	710992	4	BLT- SHLDR 1/2 X 1.25 STPL
5	711592	6	WSR-FLAT .50 X .9 X .075 NYL
6	3304624	1	BUMPER-RUBBER CAP
7	3341928	1	WELD-SQ ARM LH
8	3341938	1	WELD-SIDE SQ RET LH
9	3341940	1	WELD-SQ MNT LH
10	3341950	1	WELD-RET FRT SQ LH
11	3341954	1	SPRING-SIDE SQUEEGEE
12	3342534	1	ARM-CRANK REAR SQ
13	3342535	1	ARM-CRANK FRONT SQ
14	3342538	4	BUSHING-BRONZE FLANGED 1/2" ID
15	3342892	1	SQUEEGEE-SIDE BLADE
16	3342893	1	SQUEEGEE-BLADE FRONT
17	3343423	1	WELD-PIVOT PLT
18	3400079	7	NUT-HEX 3/8-16 ES ZP
19	3400086	2	WASHER-FLAT 1/2 STANDARD ZP
20	3400087	2	WASHER 3/8 ID .81 OD X .065 THK
21	3400089	5	WASHER 1/4 ID .63 OD X .065 THK
22	3400178	4	BEARING-THRUST .531 ID X 1.00 OD
23	3400336	4	WASHER 3/8 ID 1.0 OD X .105 THK SS
24	3400342	1	NUT-HEX 3/8-24 ES ZP
25	3400355	1	LEVELER-3/8-16 X 2 1/2
26	3400726	1	BLT-SHLDR 3/8 X 1 1/4
27	3401046	5	NUT- WING 1/4-20 SS LOCK
28	3401390	1	LOCTITE 242

**SIDE SQUEEGEE, RIGHT HAND ASSEMBLY - 3342516, REVISION F**



SIDE SQUEEGEE, RIGHT HAND ASSEMBLY - 3342516, REVISION F			
ITEM	PART NO.	REQ'D	DESCRIPTION
1	710992	4	BLT- SHLDR 1/2 X 1.25 STPL
2	711592	8	WSR-FLAT .50 X .9 X .075 NYL
3	711713	2	RETAINING RING - "E" TYPE EXT .500
4	808829	1	WHEEL,TRUCK
5	3333518	1	5/16 X 1.50 BALL DETENT T-HANDLE
6	3341942	1	WELD-RET SIDE SQ RH
7	3341947	1	WELD-RETAINER SQ FRT RH
8	3341954	1	SPRING-SIDE SQUEEGEE
9	3341955	1	WASHER-3/8 FIBERGLIDE THRUST
10	3342517	1	WELD-SIDE SQ MNT HAKO 5550
11	3342529	1	WELD-SQUEEGEE MNT RH
12	3342532	1	WELD-PIVOT PLT
13	3342534	1	ARM-CRANK REAR SQ
14	3342535	1	ARM-CRANK FRONT SQ
15	3342537	1	PIN-ROLLER
16	3342538	4	BUSHING-BRONZE FLANGED 1/2" ID
17	3342634	1	WEAR PLATE
18	3342637	1	ROLLER-SQUEEQEE FRT
19	3342892	1	SQUEEGEE-SIDE BLADE
20	3342893	1	SQUEEGEE-BLADE FRONT
21	3400079	5	NUT-HEX 3/8-16 ES ZP
22	3400086	2	WASHER-FLAT 1/2 STANDARD ZP
23	3400089	5	WASHER 1/4 ID .63 OD X .065 THK
24	3400178	4	BEARING-THRUST .531 ID X 1.00 OD
25	3400297	4	SCREW-FLAT HEAD 5/16-18 X 3/4, SOC ZP
26	3400336	4	WASHER 3/8 ID 1.0 OD X .105 THK SS
27	3400342	1	NUT-HEX 3/8-24 ES ZP
28	3400726	2	BLT-SHLDR 3/8 X 1 1/4
29	3401046	5	NUT- WING 1/4-20 SS LOCK
30	3401390	1	LOCTITE 242
31	3402065	1	KNOB-3/8-16 X 2.00 FLUTED

**REAR SQUEEGEE GROUP - 3342653, REVISION \***

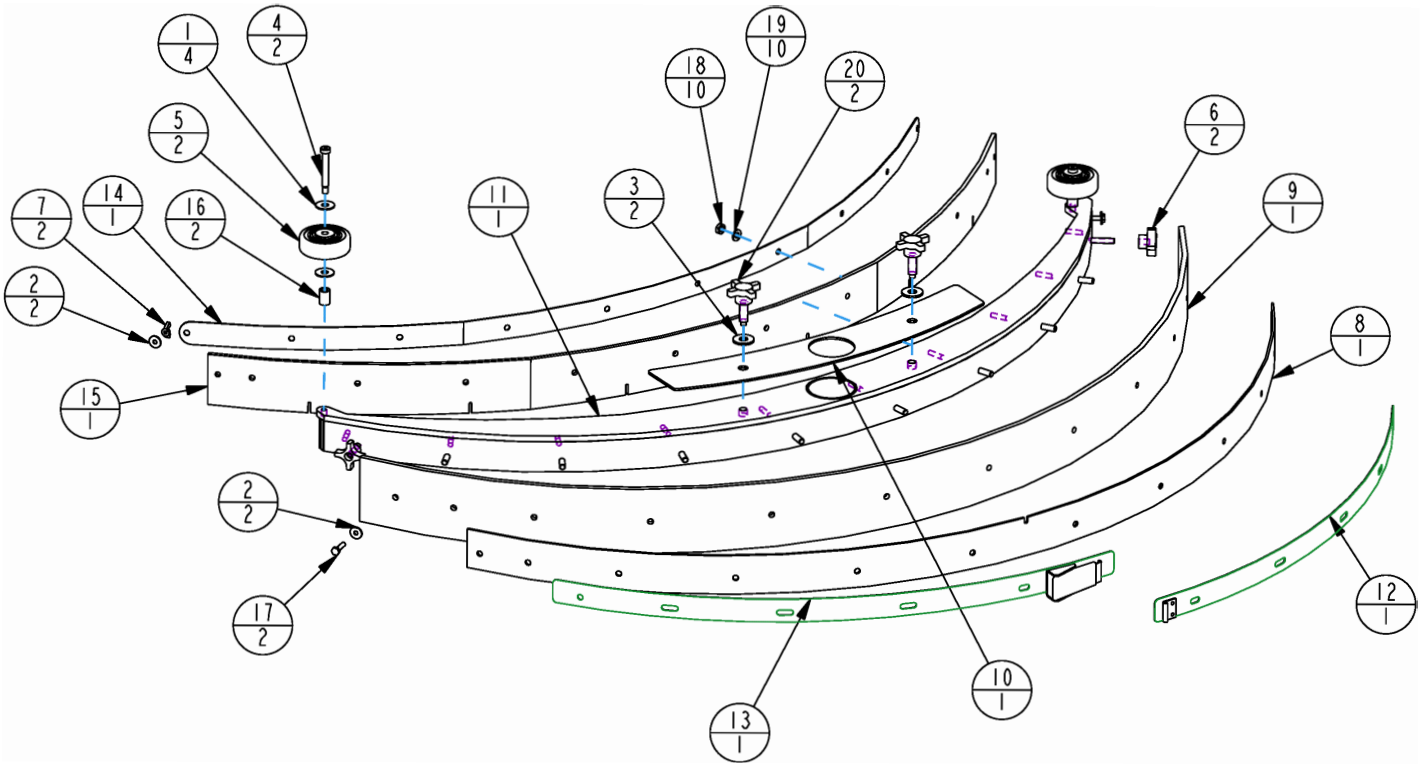




REAR SQUEEGEE GROUP - 3342653, REVISION *			
ITEM	PART NO.	REQ'D	DESCRIPTION
1	260211	1	HOBBY SPRING
2	3300351	2	HOSE CLAMP 4 1/2
3	3321141	1	CUFF-HOSE SQUEEGEE 3"
4	3321334	1	TUBE-WD MOUNT REAR SQUEEGEE
5	3341655	1	SUB-5550 REAR SQUEEGEE
6	3341656	1	SUB-REAR SQ PIVOT MNT
7	3400068	4	NUT-HEX 3/8-16 ZP
8	3400087	4	WASHER 3/8 ID .81 OD X .065 THK
9	3400101	4	WASHER-LOCK 3/8 SPLIT ZP

**REAR SQUEEGEE ASSEMBLY - 3341655, REVISION B**

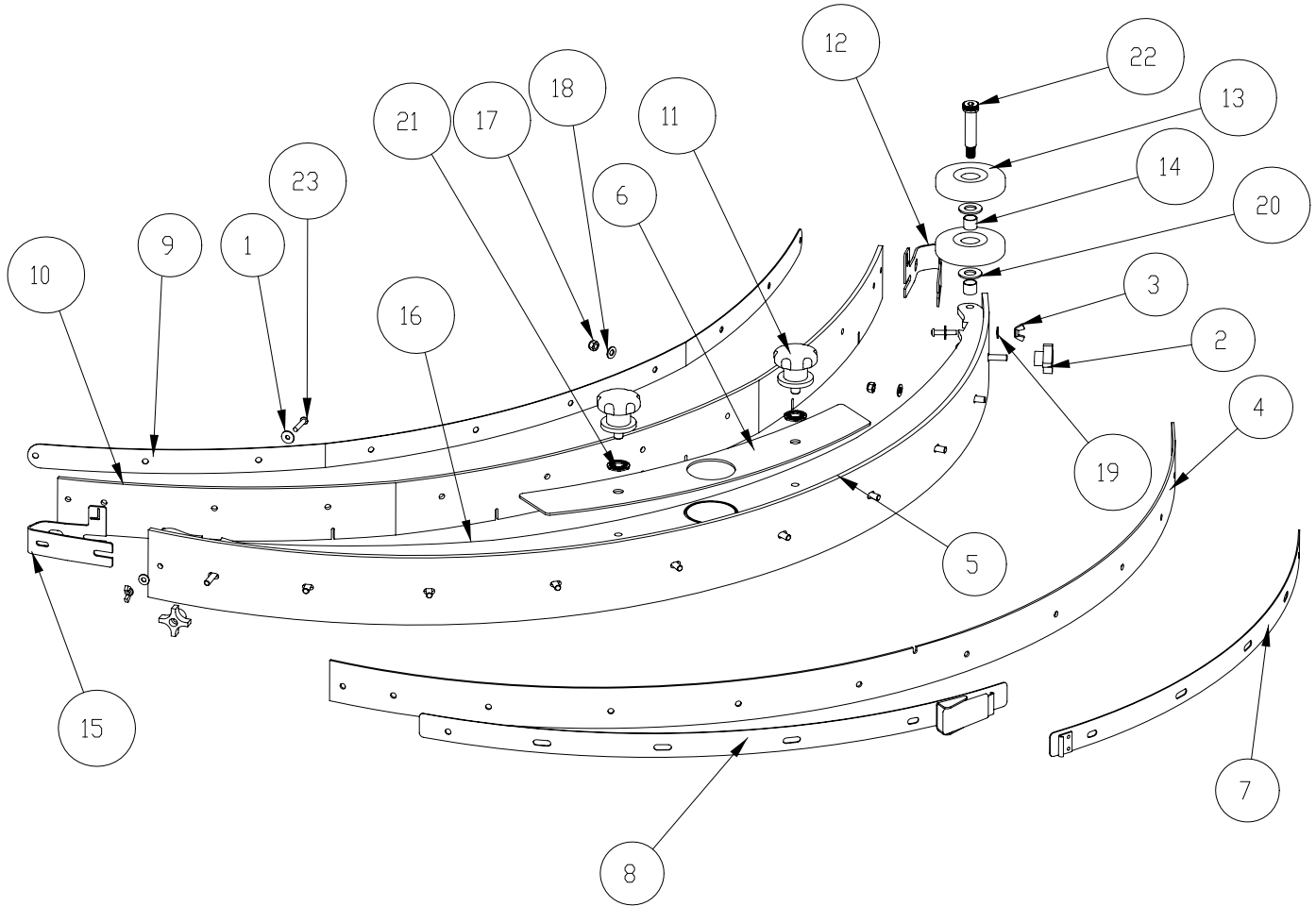
**NOTE:** For machines before SN 757420 0 0309 2(LPG), 757430 0 0113 2(DSL), or 18578610



<b>REAR SQUEEGEE ASSEMBLY - 3341655, REVISION B</b>			
<b>ITEM</b>	<b>PART NO.</b>	<b>REQ'D</b>	<b>DESCRIPTION</b>
1	711507	4	WSR-FLAT .37 X 1.12 X .06
2	711550	4	WSR NYLON .25 ID X .75 OD
3	711578	2	WSR- FLAT 1/2 BRASS
4	712100	2	BLT- SHLDR 3/8 X 2.25
5	808829	2	WHEEL,TRUCK
6	3300564	2	KNOB-CLAMP 5/16-18
7	3311817	2	NUT- WING 1/4-20 NYLON
8	3341074	1	SQUEEGEE-REINF REAR BLADE
9	3341076	1	SQUEEGEE-REAR BLADE
10	3341079	1	GASKET-MNT PLT RR SQ
11	3341456	1	WELD-REAR SQUEEGEE
12	3341465	1	WELD- STRAP NO TOOL REAR SQG RH
13	3341467	1	WELD- STRAP NO TOOL REAR SQG LH
14	3341469	1	STRAP-FRT BLADE RR SQ
15	3341964	1	SQUEEGEE-FRT BLADE
16	3342109	2	SPACER-STEEL
17	3400040	2	SCR-HEX 1/4-20X1.00Z P
18	3400080	10	NUT-HEX 5/16-18 ES ZP
19	3400088	10	WASHER 5/16 ID .688 OD X .065 THK
20	3400748	2	KNOB-HAND 1/2-13 X 1.5
<b>NOTE: For machines before SN 757420 0 0309 2(LPG), 757430 0 0113 2(DSL), or 18578610</b>			

**REAR SQUEEGEE ASSEMBLY - 3341655, REVISION F**

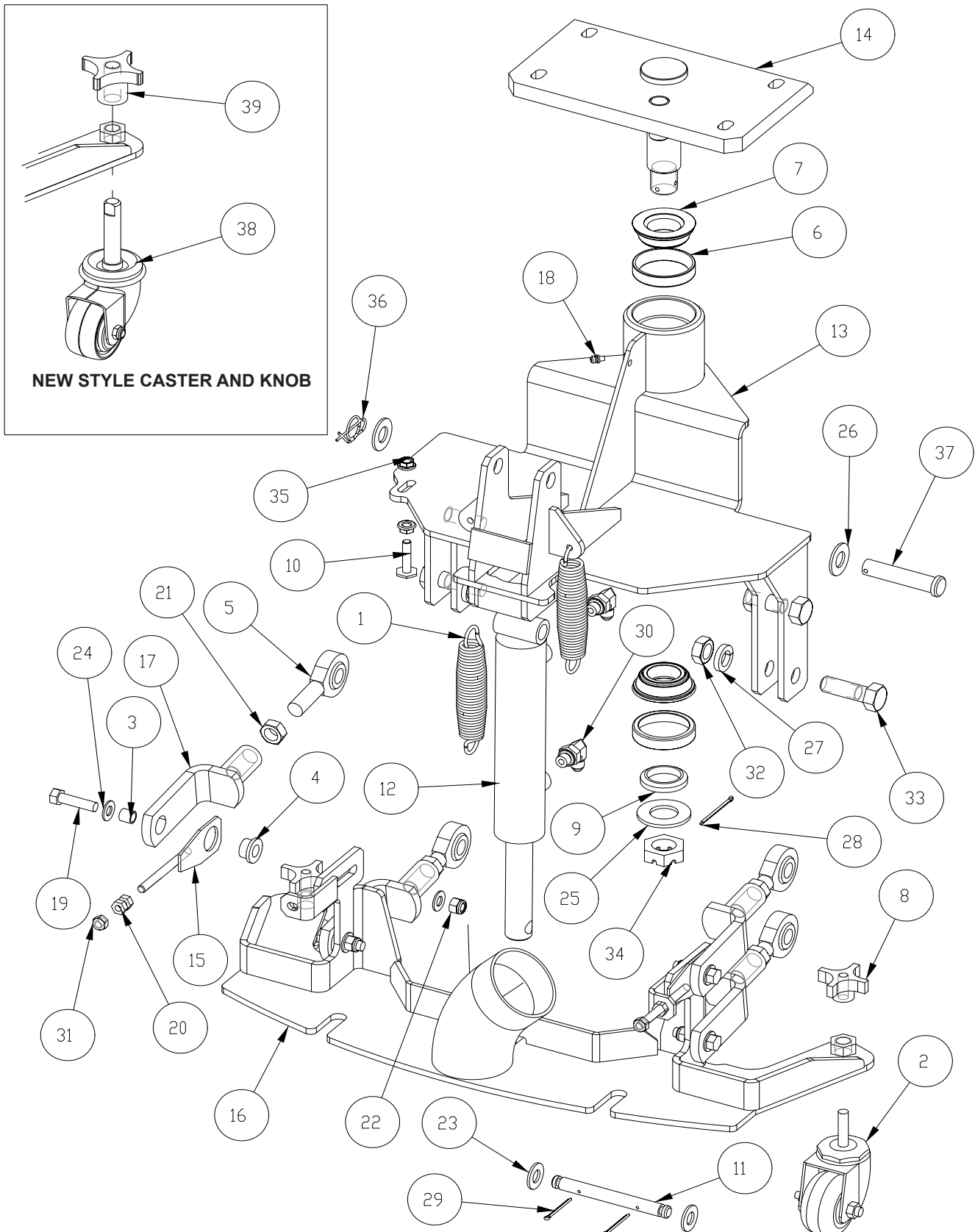
**NOTE: For machines after SN 757420 0 0309 2(LPG), 757430 0 0113 2(DSL), or 18578610**



<b>REAR SQUEEGEE ASSEMBLY - 3341655, REVISION F</b>			
<b>ITEM</b>	<b>PART NO.</b>	<b>REQ'D</b>	<b>DESCRIPTION</b>
1	711550	2	WSR NYLON .25 ID X .75 OD
2	3300564	2	KNOB-CLAMP 5/16-18
3	3311817	2	NUT- WING 1/4-20 NYLON
4	3341074	1	SQUEEGEE-REINF REAR BLADE
5	3341076	1	SQUEEGEE-REAR BLADE LINATEX
6	3341079	1	GASKET-MNT PLT RR SQ
7	3341465	1	WELD- STRAP NO TOOL REAR SQG RH
8	3341467	1	WELD- STRAP NO TOOL REAR SQG LH
9	3341469	1	STRAP-FRT BLADE RR SQ
10	3341964	1	SQUEEGEE-FRT BLADE
11	3343904	2	ASSY-KNOB REAR SQUEEGEE
12	3344162	1	PLT-RH REAR SQUEEGEE GUARD
13	3344163	2	ROLLER-16MM ID X 100MM OD
14	3344164	2	TUBE-STANDOFF .652 ID X .75 OD X .610
15	3344165	1	PLT-LH REAR SQUEEGEE GUARD
16	3344173	1	WELD-REAR SQUEEGEE
17	3400080	10	NUT-HEX 5/16-18 ES ZP
18	3400088	10	WASHER 5/16 ID .688 OD X .065 THK
19	3400089	2	WASHER 1/4 ID .63 OD X .065 THK
20	3400094	2	WASHER-FLAT 5/8 ZP
21	3401543	2	WASHER-TOOTHED PERIPHERY .50 ID
22	3401564	1	SCR-SHOULDER 5/8 X 2.25 X 1/2-13 SS
23	3401983	2	SCREW BH 1/4-20 X 1.25 LG
<b>NOTE: For machines after SN 757420 0 0309 2(LPG), 757430 0 0113 2(DSL), or 18578610</b>			

**PIVOT MOUNT, REAR SQUEEGEE ASSEMBLY - 3341656, REVISION B**

**NOTE:** For machines before SN 757420 0 0309 2(LPG), 757430 0 0113 2(DSL), or 18578610

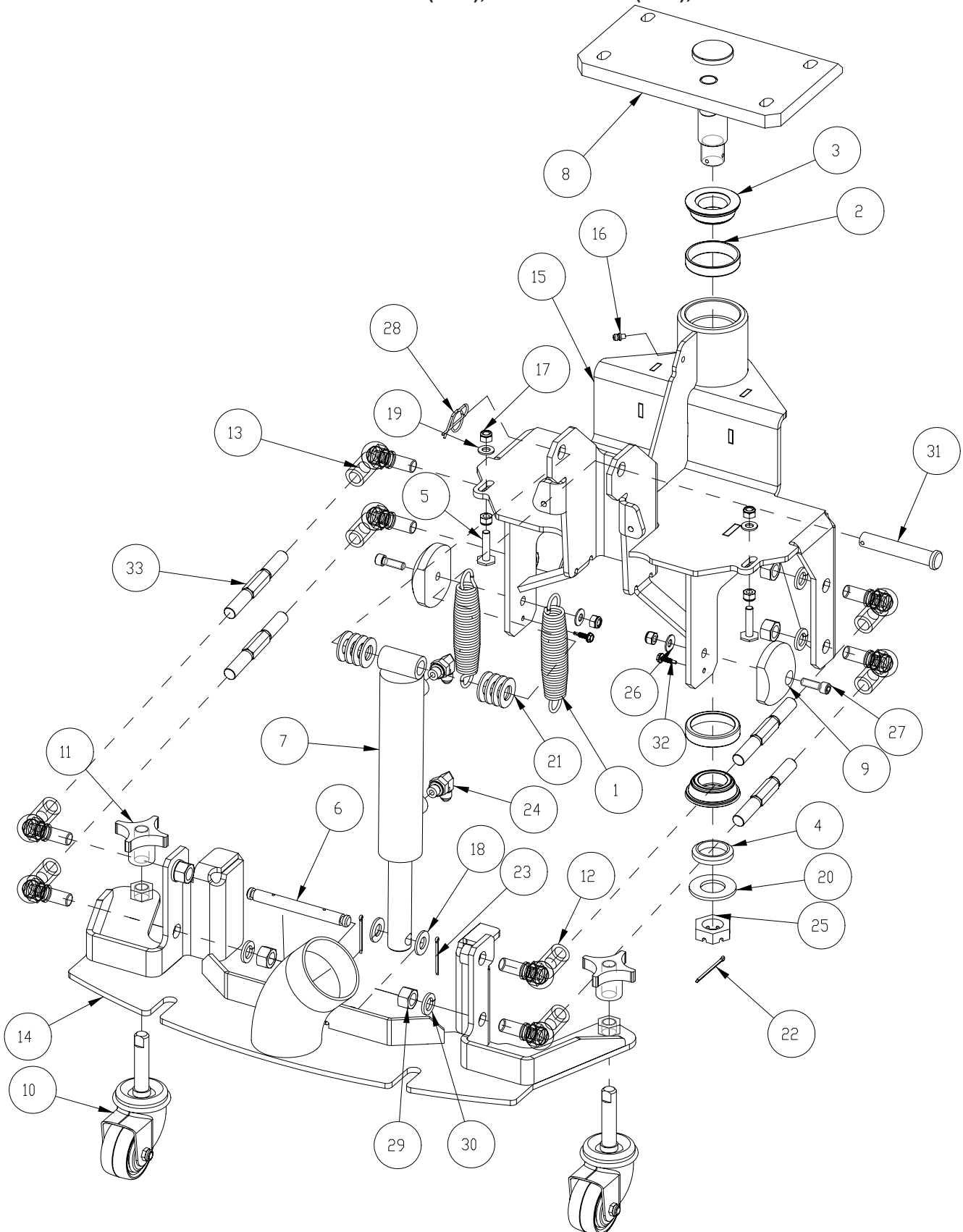


**PIVOT MOUNT, REAR SQUEEGEE ASSEMBLY - 3341656, REVISION B**

ITEM	PART NO.	REQ'D	DESCRIPTION
1	260211	2	HOBBY SPRING
2	430325	2	CASTER WHEEL 3/8"-16 X 1.500
3	3300339	4	SLEEVE-SQ & FWD/REV
4	3300432	4	BUSHING-BRONZE FLANGED 1/2" ID
5	3300457	4	ROD END-SPHERICAL 5/8
6	3300470	2	BEARING-TAPERED ROL CUP
7	3300471	2	BEARING-TAPERED ROLCONE W/SEAL
8	3303179	2	KNOB-HAND ALUM 3/8-16
9	3307339	1	SPACER-STEERING FORK
10	3307639	1	LEVELER-5/16-18X1.5", 1" DIA,
11	3341078	1	SPRING PIN-SQ LIFT
12	3341167	1	CYL-1.5 BORE X 4" STROKE
13	3341439	1	WELD-SWING PLT RR SQ
14	3341450	1	WELD-PIVOT PLT RR SQ
15	3341453	2	WELD-ADJ ROD RR SQ
16	3342580	1	WELD-MNT PLT RR SQ
17	3347346	4	WELD-LIFT ARM RR SQ
18	3400012	1	FTG-GREASE 3/16 DRIVE
19	3400028	4	SCR-HEX 3/8 -16X1.50 ZP
20	3400069	4	NUT-HEX 5/16-24 ZP
21	3400074	4	NUT-HEX JAM 5/8-18 ZP
22	3400079	4	NUT-HEX 3/8-16 ES ZP
23	3400086	2	WASHER-FLAT 1/2 STANDARD ZP
24	3400087	8	WASHER 3/8 ID .81 OD X .065 THK
25	3400093	1	WASHER 1.0 ID 2.0 OD X .134 THK
26	3400094	2	WASHER-FLAT 5/8 ZP
27	3400097	4	WSR-LOCK 5/8
28	3400122	1	COTTER PIN 1/8 X 2
29	3400123	2	PIN-COTTER 3/32 X 1.5 ZP
30	3400152	2	FTG-90 1/2-20 TO #5
31	3400175	2	NUT, ACORN 5/16-24
32	3400192	4	NUT-JAM 5/8-11
33	3400209	4	SCREW-HHM 5/8-11 X 2.0 LG ZP
34	3400223	1	NUT-SLOTTED, 1-20UNEF
35	3400390	2	NUT-FLANGE LOCK 5/16-18
36	3400661	1	PIN-COTTER 5/8 RUE-RING
37	3402069	1	PIN-CLEVIS 5/8 X 3 ZP
38	3343816	2	CASTER WHEEL 5/8-11 X 2.625
39	3343819	2	KNOB-HAND ALUM 5/8-11
<b>NOTE: For machines before SN 757420 0 0309 2(LPG), 757430 0 0113 2(DSL), or 18578610</b>			

**PIVOT MOUNT, REAR SQUEEGEE ASSEMBLY - 3341656, REVISION G**

**NOTE:** For machines after SN 757420 0 0309 2(LPG), 757430 0 0113 2(DSL), or 18578610



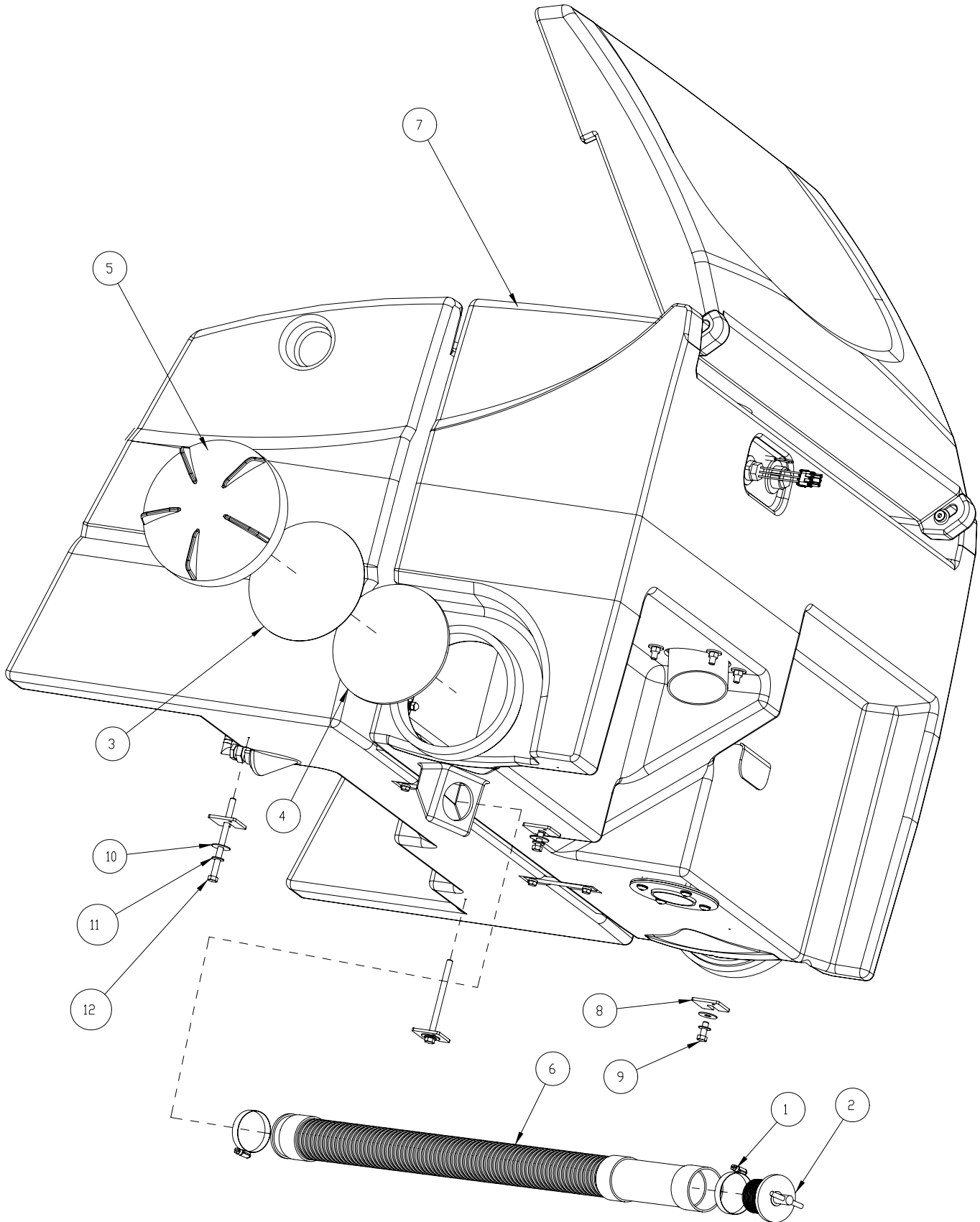


**PIVOT MOUNT, REAR SQUEEGEE ASSEMBLY - 3341656, REVISION G**

ITEM	PART NO.	REQ'D	DESCRIPTION
1	260211	2	HOBBY SPRING
2	3300470	2	BEARING-TAPERED ROL CUP
3	3300471	2	BEARING-TAPERED ROLCONE W/SEAL
4	3307339	1	SPACER-STEERING FORK
5	3307639	2	LEVELER-5/16-18X1.5", 1" DIA,
6	3341078	1	PIN-SQUEEGEE SPRING LIFT
7	3341167	1	CYL-1.5 BORE X 4" STROKE
8	3341450	1	WELD-PIVOT PLT RR SQ
9	3343139	2	PAD-SKID, REAR BUMPER
10	3343816	2	CASTER WHEEL 5/8-11 X 2.625
11	3343819	2	KNOB-HAND ALUM 5/8-11
12	3344157	4	JOINT-BALL LH M14X1.5
13	3344161	4	JOINT-BALL RH M14X1.5
14	3344178	1	WELD-MNT PLT RR SQ
15	3344180	1	WELD-SWING PLT RR SQ
16	3400012	1	FTG-GREASE 3/16 DRIVE
17	3400080	6	NUT-HEX 5/16-18 ES ZP
18	3400086	2	WASHER-FLAT 1/2 STANDARD ZP
19	3400088	4	WASHER 5/16 ID .688 OD X .065 THK
20	3400093	1	WASHER 1.0 ID 2.0 OD X .134 THK
21	3400094	8	WASHER-FLAT 5/8 ZP
22	3400122	1	COTTER PIN 1/8 X 2
23	3400123	2	PIN-COTTER 3/32 X 1.5 ZP
24	3400152	2	FTG-90 1/2-20 TO #5
25	3400223	1	NUT-SLOTTED, 1-20UNEF
26	3400384	2	WASHER CONICAL SPRING 5/16
27	3400478	2	SCR-SOC, 5/16-18 X 1.0, ZP
28	3400661	1	PIN-COTTER 5/8 RUE-RING
29	3401562	8	NUT-HEX, M14 X 1.5, ZP
30	3401563	8	WASHER-LOCK, M14, ZP
31	3401565	1	PIN-CLEVIS 5/8 X 3.5"
32	3401566	2	SCR-SELF TAPP 10-16 X 3/4
33	9058725	4	ROD-HEX M14 X 1.5

**NOTE: For machines after SN 757420 0 0309 2(LPG), 757430 0 0113 2(DSL), or 18578610**

**TANK, SOLUTION RECOVERY GROUP - 3342961, REVISION \***

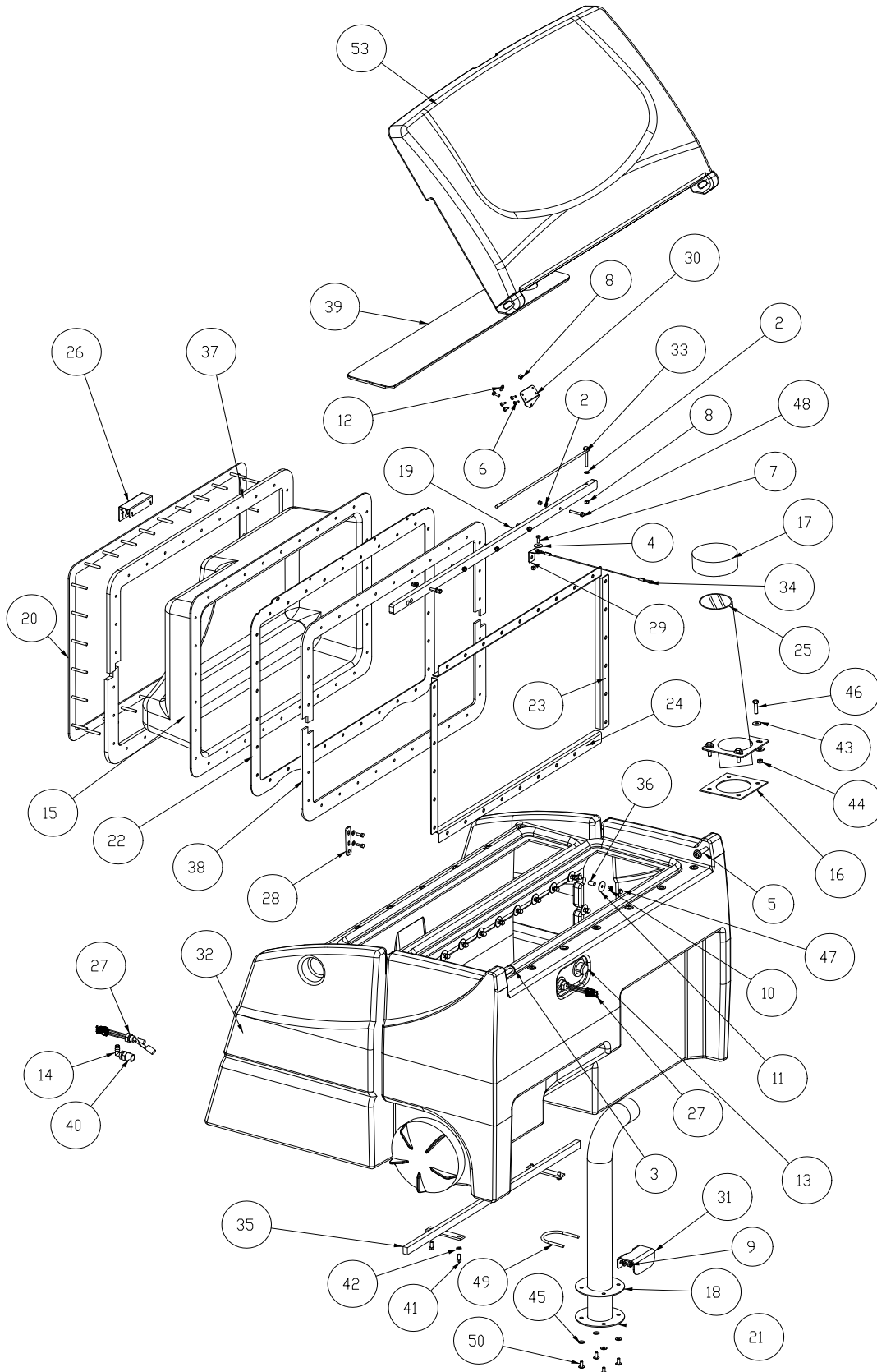


**TANK, SOLUTION RECOVERY GROUP - 3342961, REVISION \***

ITEM	PART NO.	REQ'D	DESCRIPTION
1	3300336	2	CLAMP-HOSE 2.5 SS
2	3300451	1	PLUG-ADJ DRAIN HOSE
3	3309098	2	PLATE-BACKING 9" CAP
4	3315258	2	GASKET-9" PLASTIC CAP
5	3341003	2	CAP-TANK 9"
6	3342789	1	SUB-DRAIN HOSE ASSY
7	3342805	1	SUB-1800 SOL/REC TANK
8	3343085	4	WASHER, SQ 2 X 2
9	3400030	2	SCREW-HHM 3/8-16 X 1.0 LG ZP
10	3400278	4	WASHER-FENDER 3/8 ZP
11	3400385	4	WASHER CONICAL SPRING 3/8
12	3402076	2	SCR-HEX 3/8-16 X 5.50 ZP

**TANK, SOLUTION RECOVERY ASSEMBLY - 3342805, REVISION L**

**NOTE: For machines after SN 757420 8 0246 2(LPG), 757410 8 0253 3(GAS), 757430 9 0270(DSL) or 17579048**

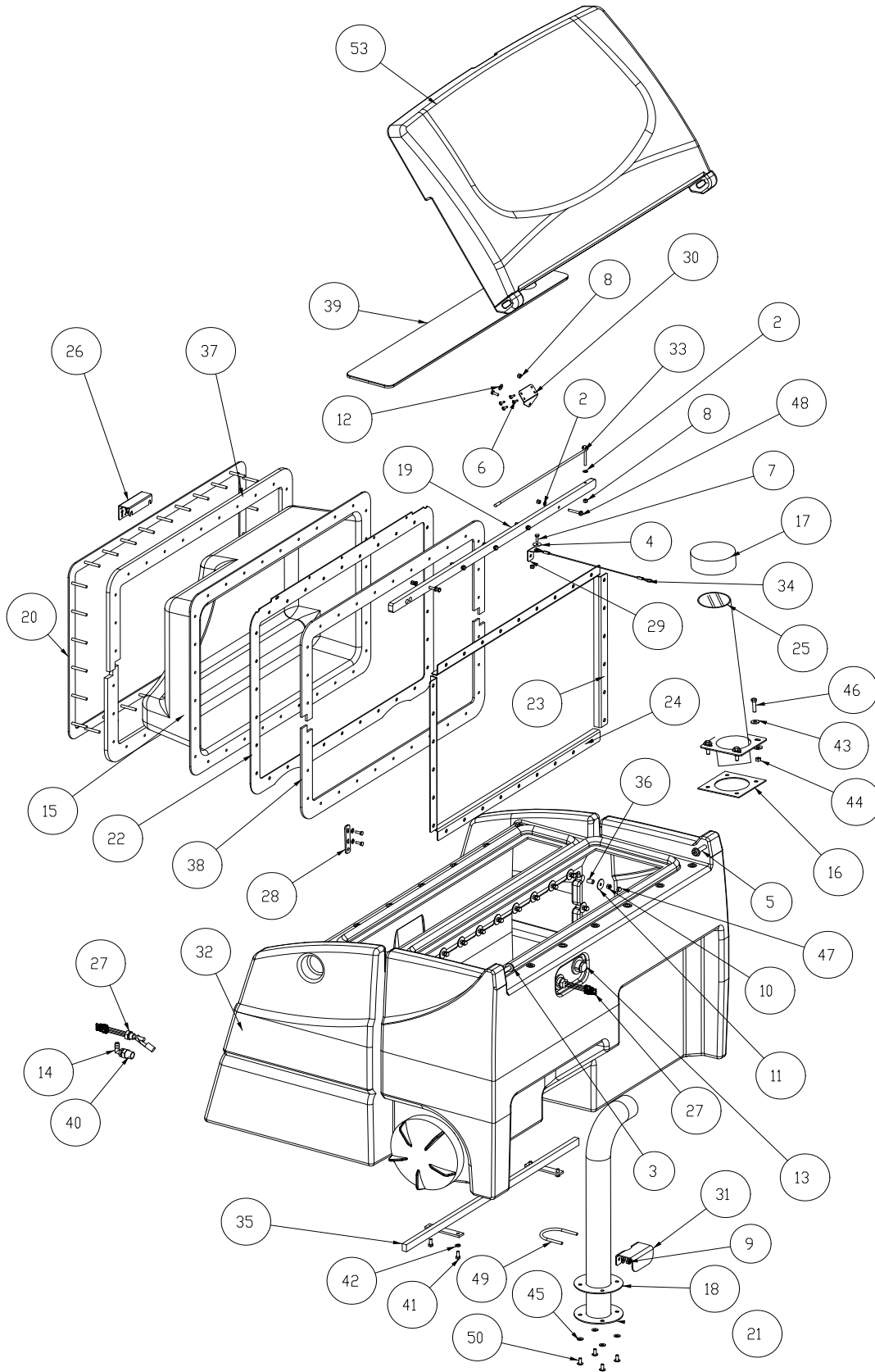


**TANK, SOLUTION RECOVERY ASSEMBLY - 3342805, REVISION L**

ITEM	PART NO.	REQ'D	DESCRIPTION
1	708	1	RTV SILICONE 10 OZ TUBE
2	711504	13	WSR-FLAT 1/4 ID SS
3	711509	2	WSR-FLAT 1/2 (.54X1.082X.087)
4	711519	1	WSR- FLAT .25 X 1.01 X .06
5	712120	2	BLT- SHLDR 1/2 X 2
6	712534	4	10-24 X .50 SS TRUSS HD SCR
7	712562	4	BOLT-HH 1/4-20X3/4 SS
8	712667	8	NUT, HEX 1/4-20 NYLOC SS
9	712680	2	NUT-HEX 5/16-18 SS
10	712683	30	NUT, HEX 5/16-18 NYLOC SS
11	712759	30	WSR- FLT .31 X 1.37 X .06 SS
12	712772	3	WSR-FLAT .344 X .75 X .06 SS
13	3309060	1	FTG-PLUG NYLON 3/4 MP
14	3313191	1	ELBOW 1/2 MPT X 1/2 BARB
15	3341001	1	BLADDER BAG - SOL/REC TANK
16	3341139	1	GASKET-SUCTION TUBE
17	3341141	1	FILTER IMP SUCTION TUBE
18	3341150	1	GASKET-STAND TUBE
19	3341165	1	PLATE-MIDDLE TANK SUPPORT
20	3341521	1	WELD-BLADDER FRAME
21	3341525	1	WELD-SUCTION TUBE
22	3341527	1	WASHER PLT-BLADDER
23	3341528	2	ANGLE B-BLADDER RET
24	3341529	2	ANGLE B - BLADDER RETAINER
25	3342028	1	WELDMENT-IMPELLER INLET
26	3342174	1	INDICATOR-FILL LEVEL
27	3342175	2	SWITCH-FLOAT LS7 POLYPROPYLENE
28	3342176	1	WELD-FLOAT GUARD
29	3342190	1	MOUNT-LANYARD LOWER
30	3342191	1	MOUNT-LANYARD UPPER
31	3342542	1	BRKT-SUCTION TUBE 5550
32	3342804	1	TANK-5550 SOL/REC SUB MINOR
33	3343068	1	ASSY, SAFETY PROP
34	3343073	1	CABLE ASSY- WIRE 3/32 DIA X 17 LG
35	3343331	1	WELD-SUPT, LWR SOL/REC TANK
36	3343567	12	SPACER-SOL/REC TANK
37	3343894	2	GASKET-BLADDER 1800/CORE 50
38	3343982	2	GASKET-1/4" BLADDER, 1800/CORE 50
39	3343989	1	SOLUTION SIDE PLATE SEAL
<b>NOTE: For machines after SN 757420 8 0246 2(LPG), 757410 8 0253 3(GAS), 757430 9 0270(DSL) or 17579048</b>			

**TANK, SOLUTION RECOVERY ASSEMBLY - 3342805, REVISION L**

**NOTE: For machines after SN 757420 8 0246 2(LPG), 757410 8 0253 3(GAS), 757430 9 0270(DSL) or 17579048**



**TANK, SOLUTION RECOVERY ASSEMBLY - 3342805, REVISION L**

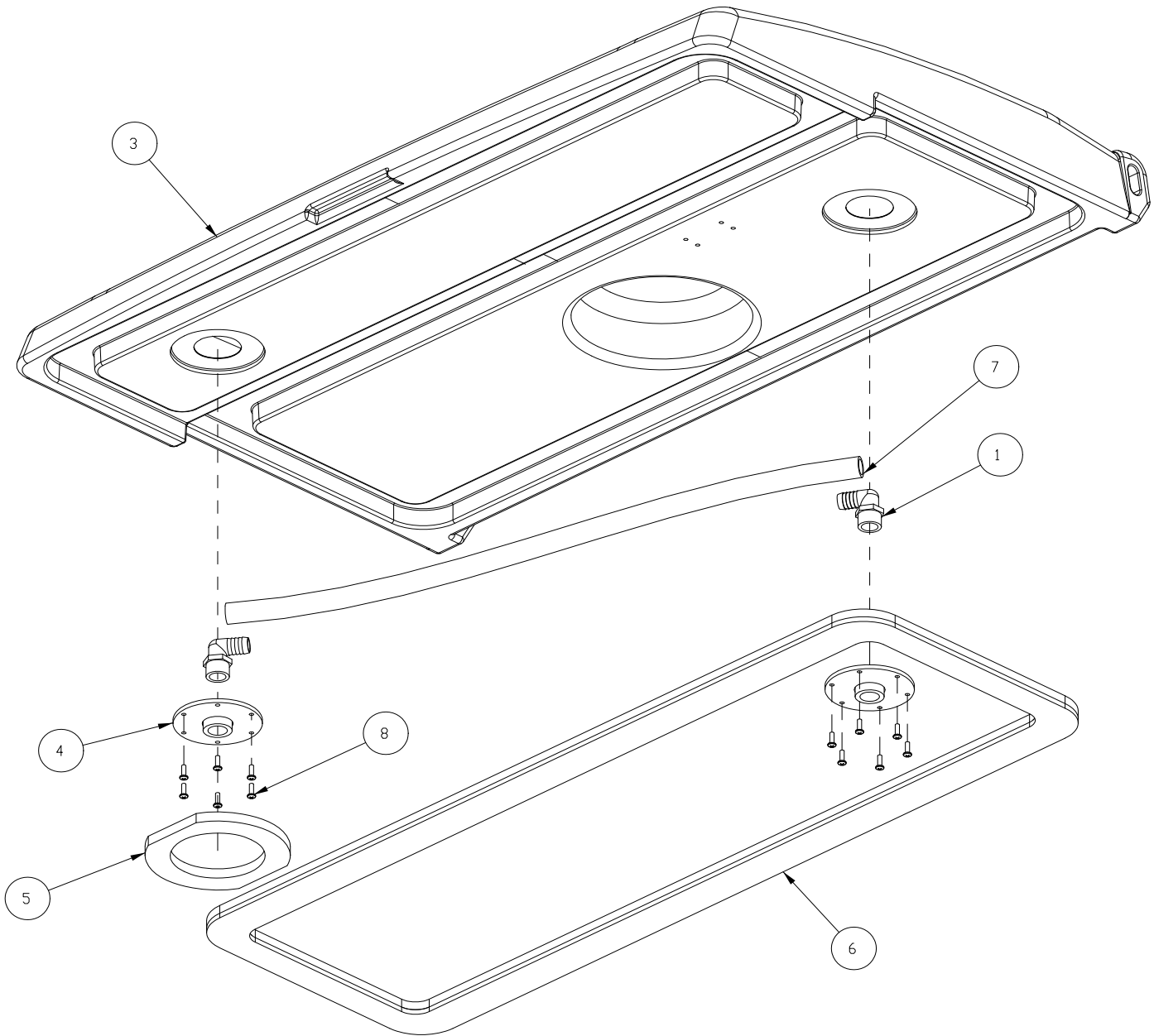
ITEM	PART NO.	REQ'D	DESCRIPTION
40	3347554	1	FTG-PLUG NYLON 3/4 MP
41	3400036	4	BOLT-HH 5/16-18X3/4
42	3400102	4	WSR-LOCK 5/16, ZP
43	3400336	8	WASHER 3/8 ID 1.0 OD X ..105 THK SS
44	3400340	4	NUT-HEX 3/8-16 ES ZP SS
45	3400384	4	WASHER CONICAL SPRING 5/16
46	3400455	4	SCREW-HHM 3/8-16 X 1.5 LG SS
47	3400933	30	NUT, ACORN 5/16-18
48	3401000	5	SCREW-HHM 1/4-20 X 1.75 LG SS
49	3401031	1	U-BOLT 5/16-18
50	3401032	4	SCREW TRUSS HEAD 5/16-18 X 3/4 PH SSL
51	3401122	0.1	00SEALANT-THREADED PIPE, 565 PST
52	3401128	0.1	00ANTI-SEIZE, STICK 20GR
53	3343508HK	1	SUB-LID, SOL/REC TANK 1800/CORE 50

**NOTE: For machines after SN 757420 8 0246 2(LPG), 757410 8 0253 3(GAS), 757430 9 0270(DSL) or 17579048**



**SOLUTION - RECOVERY TANK LID - 3343508, REVISION E**

**NOTE: For machines after SN 757420 8 0246 2(LPG), 757410 8 0253 3(GAS), 757430 9 0270(DSL) or 17579048**





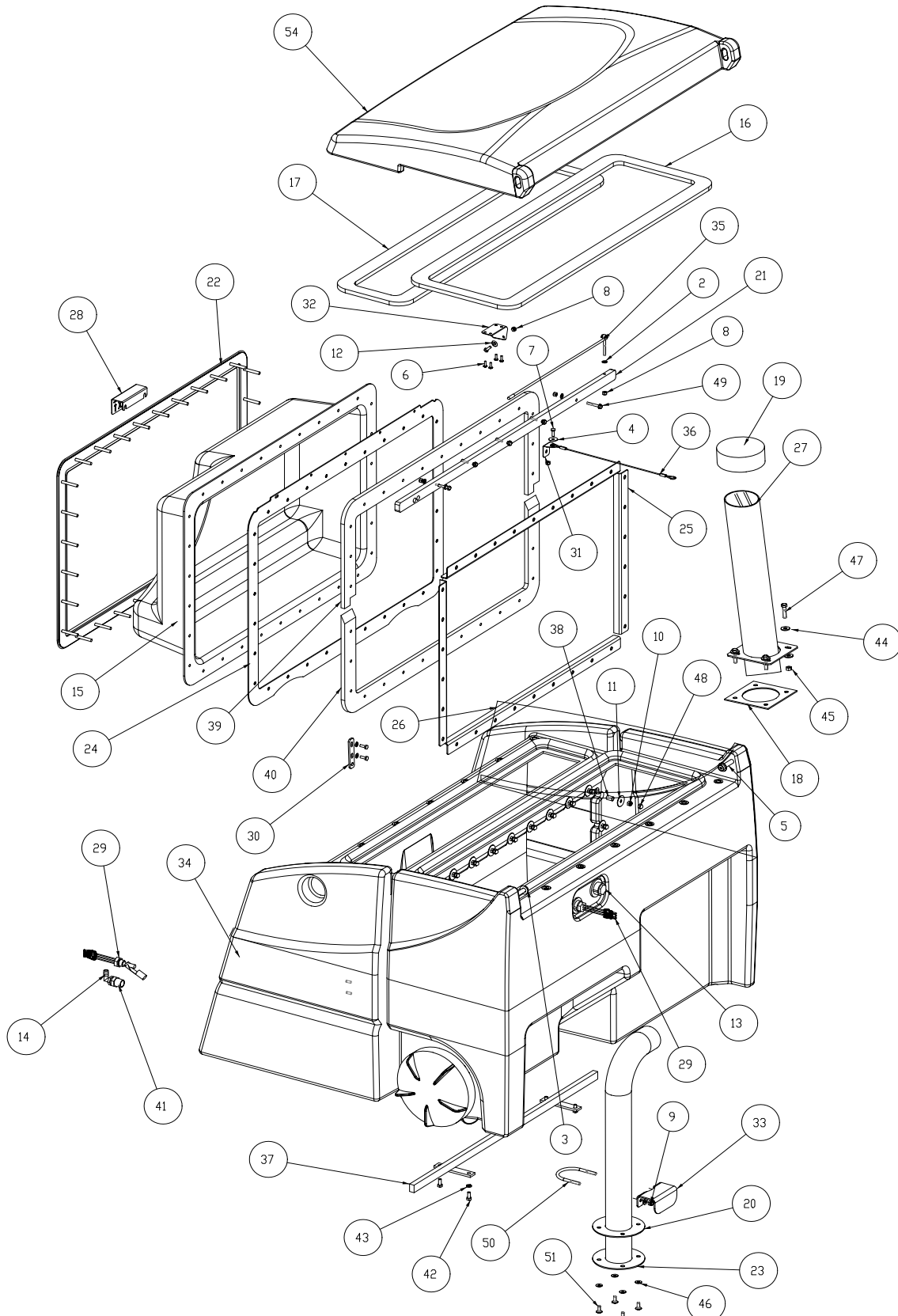
**SOLUTION - RECOVERY TANK LID - 3343508, REVISION E**

ITEM	PART NO.	REQ'D	DESCRIPTION
1	383321	2	FITTING PP 90 3/4 MPT 3/4 BARB
2	829553	1	3M SCOTCH-GRIP CONTACT ADHESIVE 10
3	3341002	1	LID - SOL/REC TANK
4	3343509	2	ASSY-EQUALIZER TUBE MNT
5	3343986	1	GASKET-1/2" SOLUTION EQUALIZER SEAL
6	3344142	1	GASKET-TWO PIECE RECOVERY TANK
7	3344229	1	PVC-HOSE 3/4" ID X 40" LG
8	3401449	12	SCR-HI/LO SS 10-16X3/4 PAN HD PHL.

**NOTE: For machines after SN 757420 8 0246 2(LPG), 757410 8 0253 3(GAS), 757430 9 0270(DSL) or 17579048**

**TANK, SOLUTION RECOVERY ASSEMBLY - 3342805, REVISION F**

**NOTE:** For machines before SN 757420 8 0246 2(LPG), 757410 8 0253 3(GAS), 757430 9 0270(DSL) or 17579048

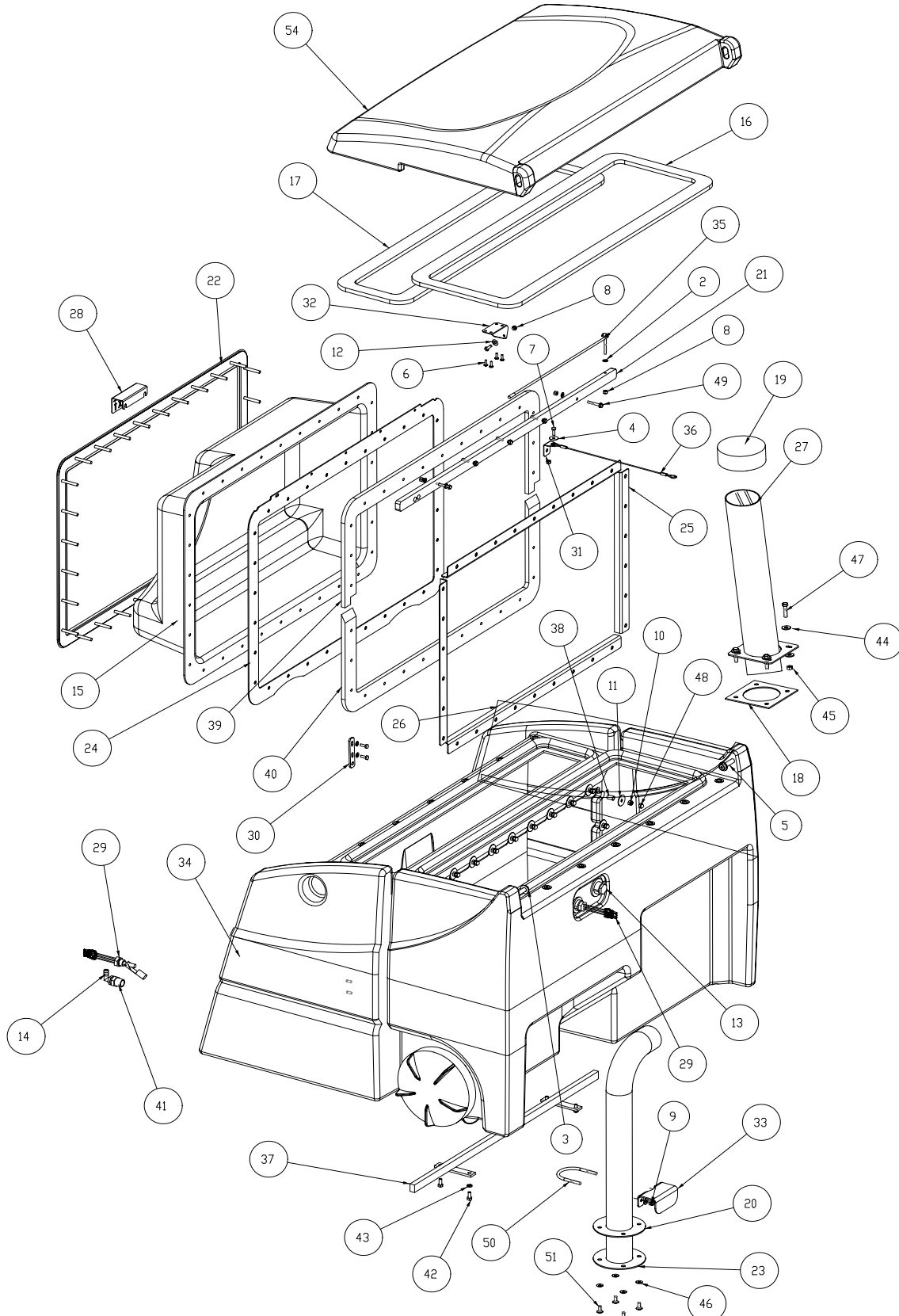


**TANK, SOLUTION RECOVERY ASSEMBLY - 3342805, REVISION F**

ITEM	PART NO.	REQ'D	DESCRIPTION
1	708	1	RTV SILICONE 10 OZ TUBE
2	711504	13	WSR-FLAT 1/4 ID SS
3	711509	2	WSR-FLAT 1/2 (.54X1.082X.087)
4	711519	1	WSR- FLAT .25 X 1.01 X .06
5	712120	2	BLT- SHLDR 1/2 X 2
6	712534	4	10-24 X .50 SS TRUSS HD SCR
7	712562	4	BOLT-HH 1/4-20X3/4 SS
8	712667	8	NUT, HEX 1/4-20 NYLOC SS
9	712680	2	NUT-HEX 5/16-18 SS
10	712683	30	NUT, HEX 5/16-18 NYLOC SS
11	712759	30	WSR- FLT .31 X 1.37 X .06 SS
12	712772	3	WSR-FLAT .344 X .75 X .06 SS
13	3309060	1	FTG-PLUG NYLON 3/4 MP
14	3313191	1	ELBOW 1/2 MPT X 1/2 BARB
15	3341001	1	BLADDER BAG - SOL/REC TANK
16	3341009	1	GASKET- RECOVERY SIDE SOL TANK
17	3341010	1	REAR SEAL - SOL/REC TANK
18	3341139	1	GASKET-SUCTION TUBE
19	3341141	1	FILTER IMP SUCTION TUBE
20	3341150	1	GASKET-STAND TUBE
21	3341165	1	PLATE-MIDDLE TANK SUPPORT
22	3341521	1	WELD-BLADDER FRAME
23	3341525	1	WELD-SUCTION TUBE
24	3341527	1	WASHER PLT-BLADDER
25	3341528	2	ANGLE B-BLADDER RET
26	3341529	2	ANGLE B - BLADDER RETAINER
27	3342028	1	WELDMENT-IMPELLER INLET
28	3342174	1	INDICATOR-FILL LEVEL
29	3342175	2	SWITCH-FLOAT LS7 POLYPROPYLENE
30	3342176	1	WELD-FLOAT GUARD
31	3342190	1	MOUNT-LANYARD LOWER
32	3342191	1	MOUNT-LANYARD UPPER
33	3342542	1	BRKT-SUCTION TUBE 5550
34	3342804	1	TANK-5550 SOL/REC SUB MINOR
<b>NOTE: For machines before SN 757420 8 0246 2(LPG), 757410 8 0253 3(GAS), 757430 9 0270(DSL) or 17579048</b>			

**TANK, SOLUTION RECOVERY ASSEMBLY - 3342805, REVISION F**

**NOTE:** For machines before SN 757420 8 0246 2(LPG), 757410 8 0253 3(GAS), 757430 9 0270(DSL) or 17579048



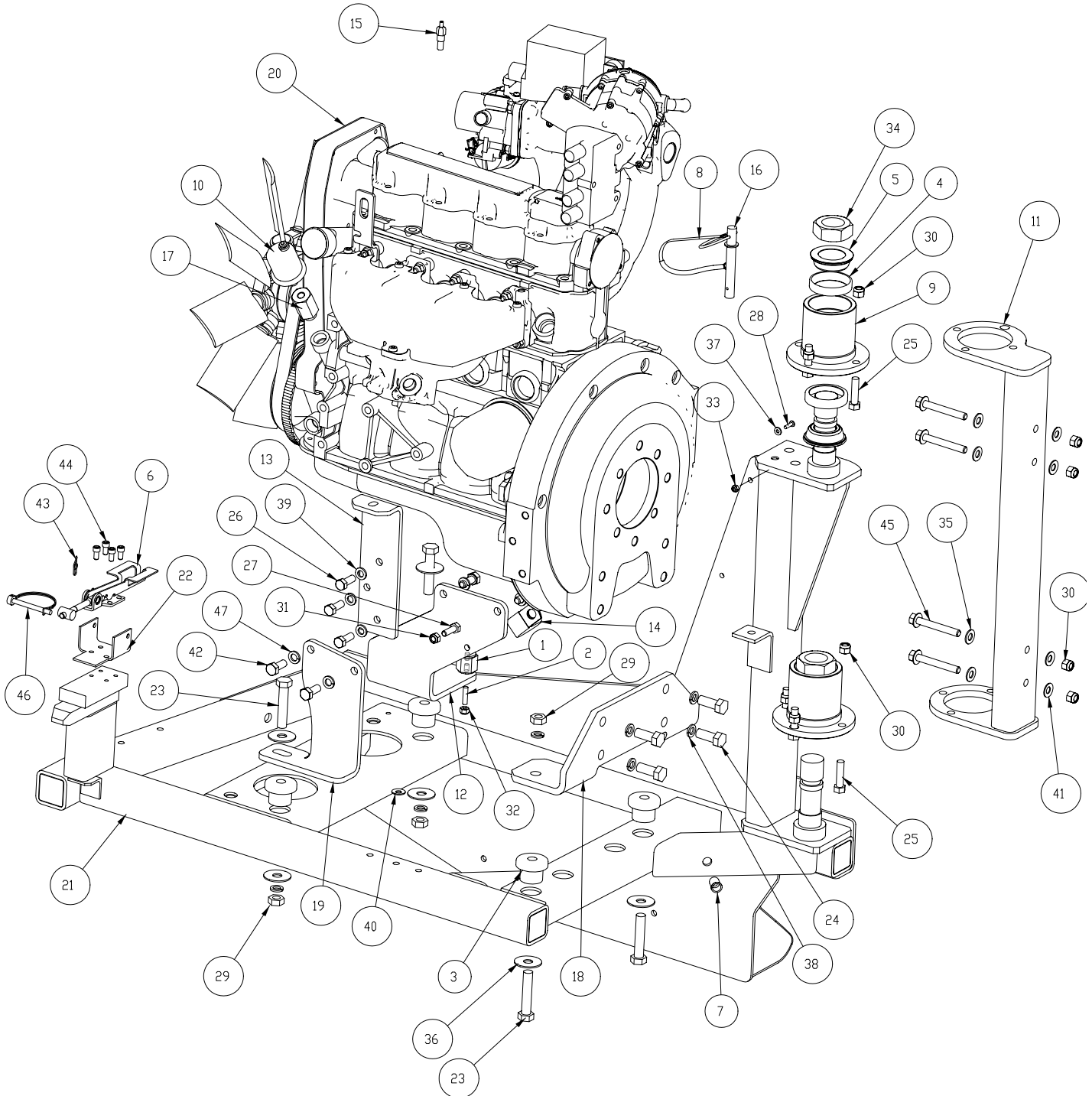
**TANK, SOLUTION RECOVERY ASSEMBLY - 3342805, REVISION F**

ITEM	PART NO.	REQ'D	DESCRIPTION
35	3343068	1	ASSY, SAFETY PROP
36	3343073	1	CABLE ASSY- WIRE 3/32 DIA X 17 LG
37	3343331	1	WELD-SUPT, LWR SOL/REC TANK
38	3343567	12	SPACER-SOL/REC TANK
39	3343894	1	GASKET-BLADDER 1800/CORE 50
40	3343895	1	GASKET-BLADDER BOTT, 1800/CORE 50
41	3347554	1	FTG-PLUG NYLON 3/4 MP
42	3400036	4	BOLT-HH 5/16-18X3/4
43	3400102	4	WSR-LOCK 5/16, ZP
44	3400336	8	WASHER 3/8 ID 1.0 OD X ..105 THK SS
45	3400340	4	NUT-HEX 3/8-16 ES ZP SS
46	3400384	4	WASHER CONICAL SPRING 5/16
47	3400455	4	SCREW-HHM 3/8-16 X 1.5 LG SS
48	3400933	30	NUT, ACORN 5/16-18
49	3401000	5	SCREW-HHM 1/4-20 X 1.75 LG SS
50	3401031	1	U-BOLT 5/16-18
51	3401032	4	SCREW TRUSS HEAD 5/16-18 X 3/4 PH SSL
52	3401122	0.1	00SEALANT-THREADED PIPE, 565 PST
53	3401128	0.1	00ANTI-SEIZE, STICK 20GR
54	3343508HK	1	SUB-LID, SOL/REC TANK 1800/CORE 50

**NOTE: For machines before SN 757420 8 0246 2(LPG), 757410 8 0253 3(GAS), 757430 9 0270(DSL) or 17579048**

**ENGINE MOUNT & SWING FRAME, GM1.6L TIER 2 - LPG 3343278 H, GAS 3343284 J**

**NOTE:** For machines after SN 757420 7 0206 5(GAS), 757420 7 0193 4(LPG) or 16904077



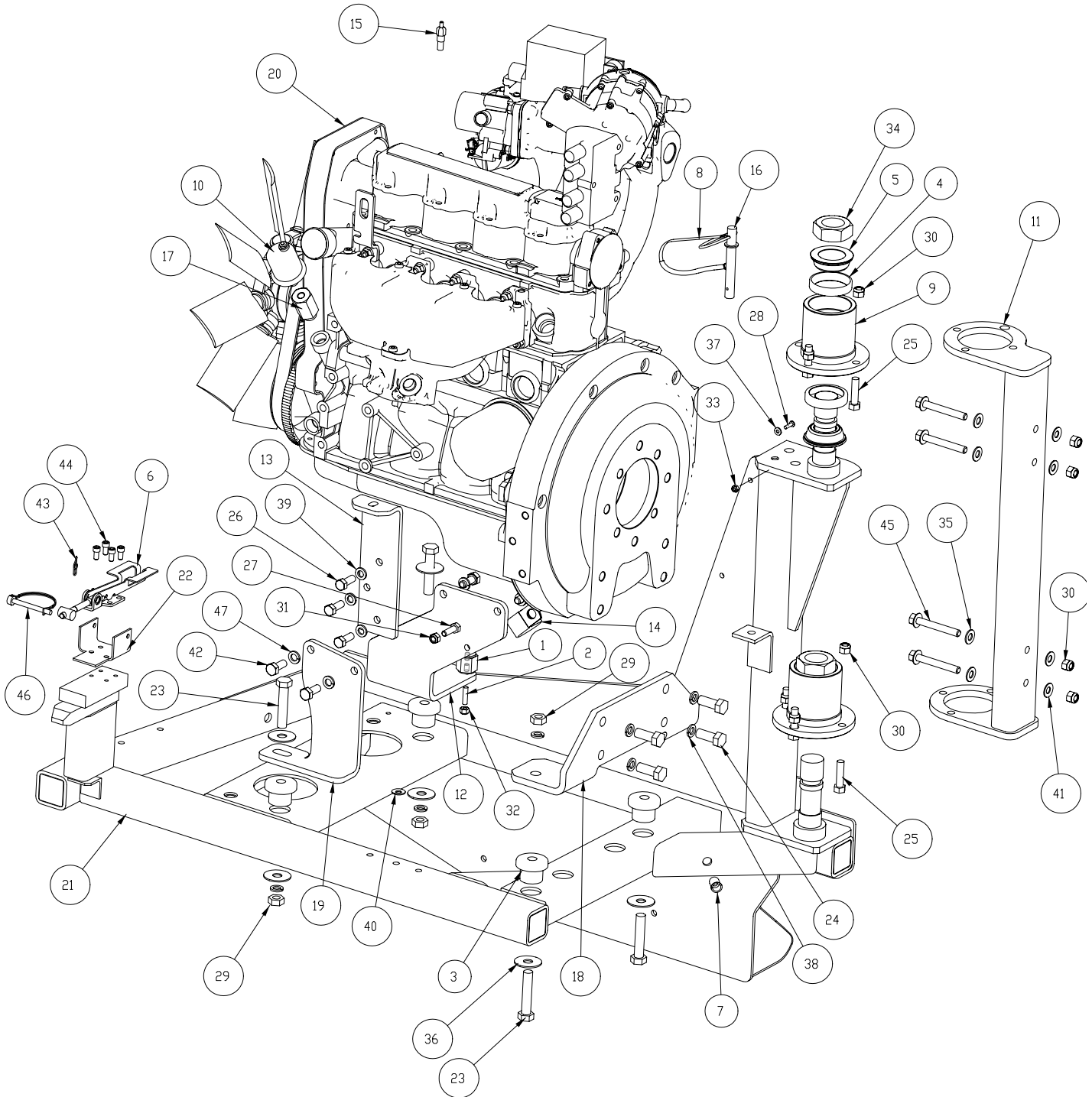
**PARTS BREAKDOWN**

<b>ENGINE MOUNT &amp; SWING FRAME, GM1.6L TIER 2 - LPG 3343278 H, GAS 3343284 J</b>			
<b>ITEM</b>	<b>PART NO.</b>	<b>REQ'D</b>	<b>DESCRIPTION</b>
1	740132	1	INSULATOR, PLASTIC
2	833638	2	BRASS STUD
3	3300464	4	ISOLATOR - RUBBER, 1.24 DIAMX1.25 LG
4	3300470	4	BEARING-TAPERED ROL CUP
5	3300471	4	BEARING-TAPERED ROLCONE W/SEAL
6	3307377	1	LATCH-ENGINE SW/A
7	3322187	1	INSERT 5/16-18 X .31 LG ZP
8	3334364	1	CHAIN-ENG LOCKING PIN 5550
9	3341041	2	BRG MNT B - SWG FR
10	3341069	1	SENDER-OIL PRESSURE 12V
11	3341364	1	WELD - MNT SWING FR
12	3341579	1	MNT-ENG, RH FWD, GM1_6L, 1800
13	3341729	1	MOUNT-RESERVOIR ENGINE
14	3402005	1	CLAMP-P 1.5 DIA
15	3341806	1	SENDER-TEMPERATURE 1/8 NPT
16	3342040	1	PIN-QUICK RELEASE 1/2 X 2 1/2
17	3342078	1	ADAPTER - 1.6L GM OIL SENDER
18	3342682	1	MNT-ENG, REAR, GM1_6L, 1800
19	3342911	1	MNT-ENG, LH FWD, GM1_6L, 1800
20	3343256	1	ENGINE-LPG, GM1.6L TIER 2
	3343324	1	ENGINE-GAS, GM1.6L TIER 2
21	3343414	1	WELD-SWING FRAME
22	3343800	1	PLATE-ENGINE LATCH RETAINER
23	3400019	4	SCR-HEX 1/2-13 X 2.50 ZP
24	3400022	4	SCR-HEX 1/2-13 X 1.25 ZP
25	3400028	7	SCR-HEX 3/8 -16X1.50 ZP
26	3400030	3	SCREW-HHM 3/8-16 X 1.0 LG ZP
27	3400035	1	SCR-HEX 5/16-18X1.00 ZP
28	3400045	1	SCR-8-32 X 5/8 PAN HD SLT ZP
29	3400065	4	NUT-HEX 1/2-13 ZP
30	3400079	11	NUT-HEX 3/8-16 ES ZP
31	3400080	1	NUT-HEX 5/16-18 ES ZP
32	3400081	1	NUT-HEX 1/4-20 ES ZP
33	3400082	1	NUT-HEX #8-32 ES ZP
<b>NOTE:For machines after SN 757420 7 0206 5(GAS), 757420 7 0193 4(LPG) or 16904077</b>			



**ENGINE MOUNT & SWING FRAME, GM1.6L TIER 2 - LPG 3343278 REV H, GAS 3343284 REV J**

**NOTE: For machines after SN 757420 7 0206 5(GAS), 757420 7 0193 4(LPG) or 16904077**

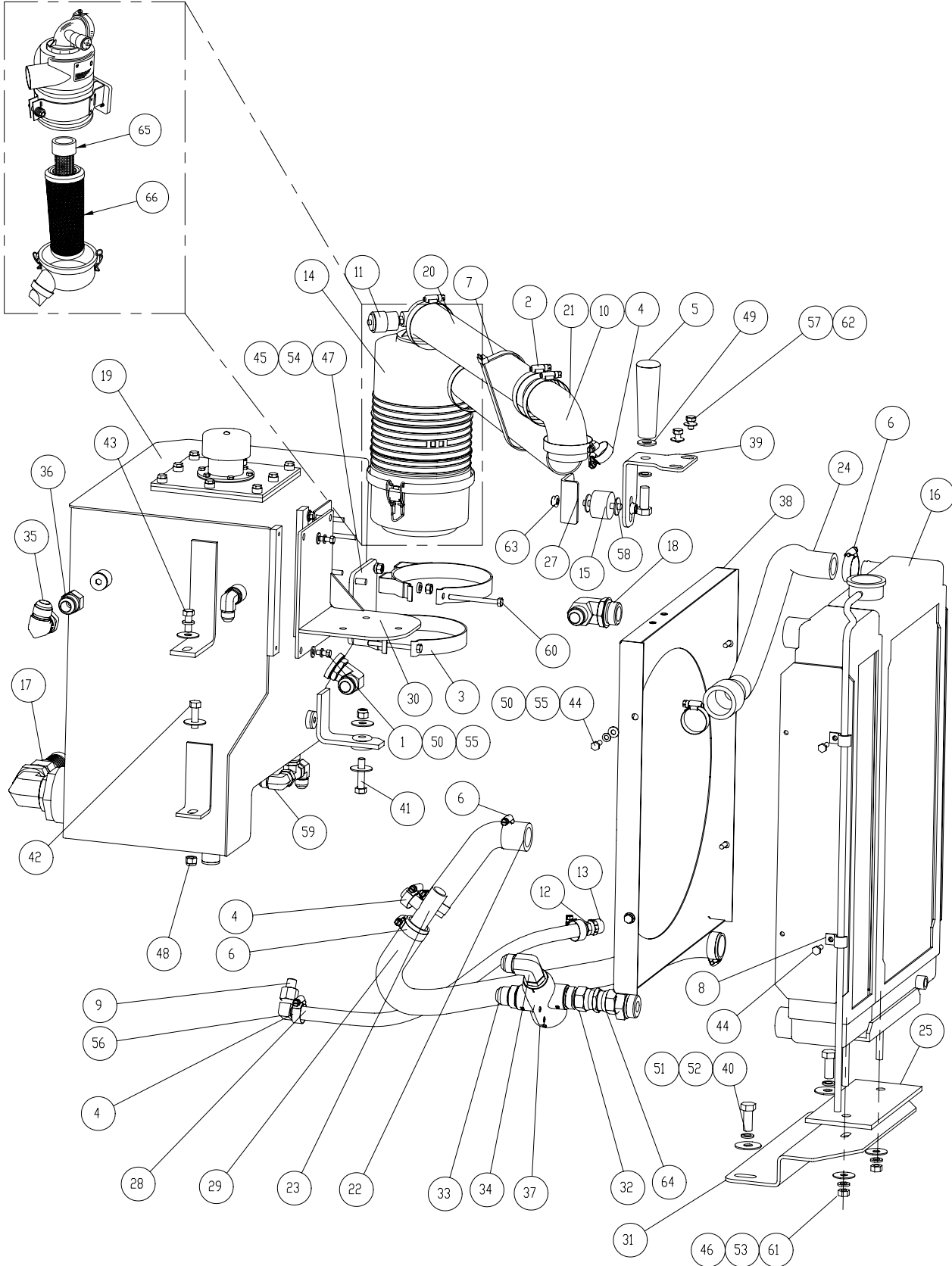




<b>ENGINE MOUNT &amp; SWING FRAME, GM1.6L TIER 2 - LPG 3343278 H, GAS 3343284 J</b>			
<b>ITEM</b>	<b>PART NO.</b>	<b>REQ'D</b>	<b>DESCRIPTION</b>
34	3400083	2	NUT-HEX 1 1/4-12 ES ZP
35	3400087	4	WASHER 3/8 ID .81 OD X .065 THK
36	3400091	6	WASHER-FENDER 1/2 ZP
37	3400096	1	WASHER-FLAT #8 ZP
38	3400098	8	WSR-LOCK 1/2, ZP
39	3400101	3	WASHER-LOCK 3/8 SPLIT ZP
40	3400384	1	WASHER CONICAL SPRING 5/16
41	3400385	4	WASHER CONICAL SPRING 3/8
42	3400625	4	SCR-HHM 10MM X 1.5 X 25MM
43	3400742	1	RUE RING-1/4 HEAVY ZP
44	3400942	4	SCR-SOC, 1/4-20 X .50 ZP
45	3401154	4	3/8-16X2.75 YZ 8 HCS
46	3401432	1	PIN-SINGLE WIRE SNAP 1/4 X 2.75
47	3401458	4	WSH-LOCK, 10 MM ZP
<b>NOTE:For machines after SN 757420 7 0206 5(GAS), 757420 7 0193 4(LPG) or 16904077</b>			

**ENGINE RADIATOR & OIL COOLER GM1.6L TIER 2 LPG - 3343278, REV E**

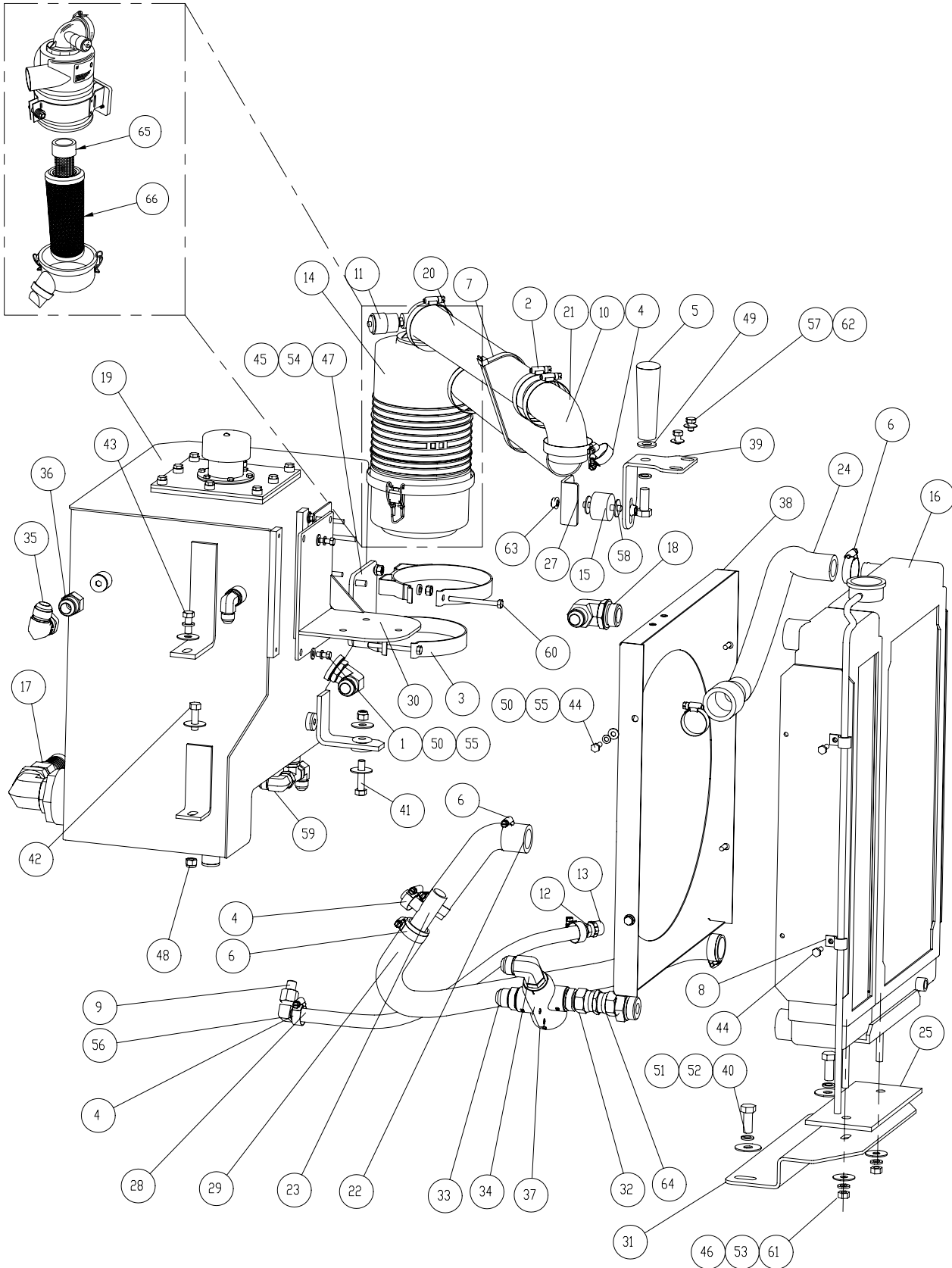
**NOTE:** For machines after SN 757420 7 0193 4 or SN 16904077 and before SN 757420 9 0274 2 or 18122039



ENGINE RADIATOR & OIL COOLER GM1.6L TIER 2 LPG - 3343278, REV E			
ITEM	PART NO.	REQ'D	DESCRIPTION
1	711203	4	BLT-HH 1/4-20 X 0.62 STPL
2	3300336	5	CLAMP-HOSE 2.5 SS
3	3300459	2	BAND-MTG AIR CLEANER PNTD BLAC
4	3300535	4	CLAMP-HOSE 1/2
5	3300558	1	KNOB-TAPERED #145 BLACK
6	3302193	6	CLAMP-HOSE 1.25 NOM
7	3302493	1	TIE-WIRE, 8 LG
8	3302543	2	CLAMP-HALF 5/16 X .344
9	3303302	1	FTG-REDUCER 3/8 FPT X 1/4 MPT
10	3303385	1	ADAPTER-90 ELL RUBBER 3.50X2.5
11	3303991	1	INDICATOR-AIR CLEANER
12	3307829	1	FTG-HOSE BARB 1/2 X 3/8 MPT
13	3307830	1	FTG-CAP 3/8 FPT
14	3317917	1	AIR CLEANER ASSY-5" RADIAL SEAL
15	3334426	1	ISOLATOR-RAD MOUNT 5/16-18
16	3336103	1	COOLER-CG 13 RADIATOR/OIL
17	3341642	1	FTG-#20 JIC TO 1.25 BARB
18	3341644	1	FTG-90 #16 O-RING TO #12 JIC
19	3341675	1	SUB-HYD RESERVOIR ASSY 5550
20	3341789	2	HOSE-AIR CLEANER 5550
21	3341790	1	WELD-2.0" AIR CLEANER T 5550
22	3341793	1	HOSE-RADIATOR BTM SHORT 5550
23	3341794	1	WELD-TEE, LOWER RADIATOR HOSE T 555
24	3341795	1	HOSE-RADIATOR TOP 5550
25	3341811	1	PAD-RADIATOR MOUNT 5550
26	3342199	1	SWITCH-PRESSURE 550 PSI (FWD/R
27	3342545	1	BRKT-RAD SUPPORT LOWER GM1.6
28	3343108	1	HOSE-1/2 ID X 20 EEC-PCV
29	3343163	1	HOSE-RADIATOR BTM LONG
30	3343300	1	WELD-BRACKET, EPR
31	3343369	1	MNT-RAD, BOTTOM GM1.6L, TIER2
32	3343424	1	FTG-UNION, #12 JIC X #12 JIC
33	3343425	2	FTG-ADPT #12 JIC X #8 BSPP
34	3343426	1	FTG-ADPT 90° #12 JIC X #8 BSPP
35	3343427	1	FTG-SWIVEL 90° #12 JIC X #12 JIC
36	3343428	1	FTG-ADPT #12 JIC X #8 UNF
37	3343429	1	CONTROL UNIT-OIL TEMP.
38	3343441	1	WELD-SHROUD, RAD, GM1.6L TIER 2
39	3343448	1	BRKT-RAD SUPPORT UPPER TIER 2
40	3400022	3	SCR-HEX 1/2-13 X 1.25 ZP
<b>NOTE: For machines after SN 757420 7 0193 4 or SN 16904077 and before SN 757420 9 0274 2 or 18122039</b>			

**ENGINE RADIATOR & OIL COOLER GM1.6L TIER 2 LPG - 3343278, REV E**

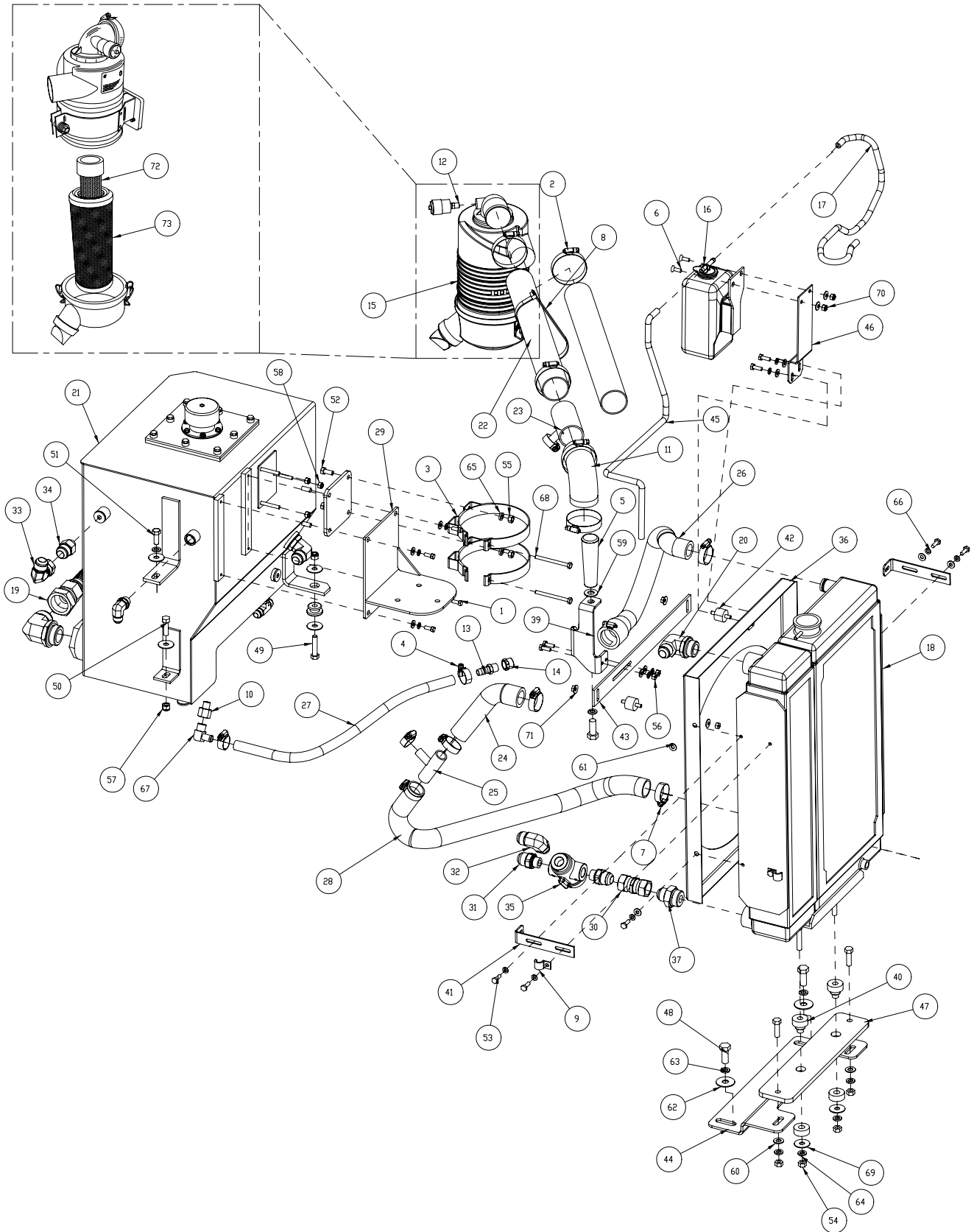
**NOTE: For machines after SN 757420 7 0193 4 or SN 16904077 and before SN 757420 9 0274 2 or 18122039**



<b>ENGINE RADIATOR &amp; OIL COOLER GM1.6L TIER 2 LPG - 3343278, REV E</b>			
<b>ITEM</b>	<b>PART NO.</b>	<b>REQ'D</b>	<b>DESCRIPTION</b>
41	3400027	1	SCREW-HHM 5/16-18 X 2.75 LG ZP
42	3400029	1	SCR-HEX 3/8 -16X1.25 ZP
43	3400030	1	SCREW-HHM 3/8-16 X 1.0 LG ZP
44	3400042	6	SCR-HEX 1/4-20X.75 ZP
45	3400047	2	SCR-SOC, 5/16-18 X .75, ZP
46	3400068	2	NUT-HEX 3/8-16 ZP
47	3400070	4	NUT-HEX 5/16-18 ZP
48	3400079	2	NUT-HEX 3/8-16 ES ZP
49	3400086	1	WASHER-FLAT 1/2 STANDARD ZP
50	3400089	8	WASHER 1/4 ID .63 OD X .065 THK
51	3400091	2	WASHER-FENDER 1/2 ZP
52	3400098	3	WSR-LOCK 1/2, ZP
53	3400101	3	WASHER-LOCK 3/8 SPLIT ZP
54	3400102	4	WSR-LOCK 5/16, ZP
55	3400103	8	WASHER-LOCK 1/4 SPLIT ZP
56	3400190	1	FTG-90 ELL 1/2 TUBE TO 3/8 MPT
57	3400207	2	BLT-HH 5/16-18 X 1/2 ZP
58	3400233	2	WASHER 5/16 ID 1.0 OD X .065 THK
59	3400244	2	FTG-90 SWIVEL 8JIC
60	3400252	2	SCR-HEX,1/4-20X3.0 ZP
61	3400278	6	WASHER-FENDER 3/8 ZP
62	3400384	2	WASHER CONICAL SPRING 5/16
63	3400390	2	NUT-FLANGE LOCK 5/16-18
64	3402003	1	FTG-ADAPTER STRAIGHT 12MJIC X 16MORB
65	3322572	1	ELEMENT-AIR CLEANER, SAFETY
66	3321143	1	ELEMENT-AIR CLEANER, PRIMARY
<b>NOTE: For machines after SN 757420 7 0193 4 or SN 16904077 and before SN 757420 9 0274 2 or 18122039</b>			

**ENGINE RESERVOIR, COOLER AND AIR CLEANER GM1.6L TIER 2 LPG - 3343278, REV H**

**NOTE: For machines after SN SN 757420 9 0274 2 or 18122039**

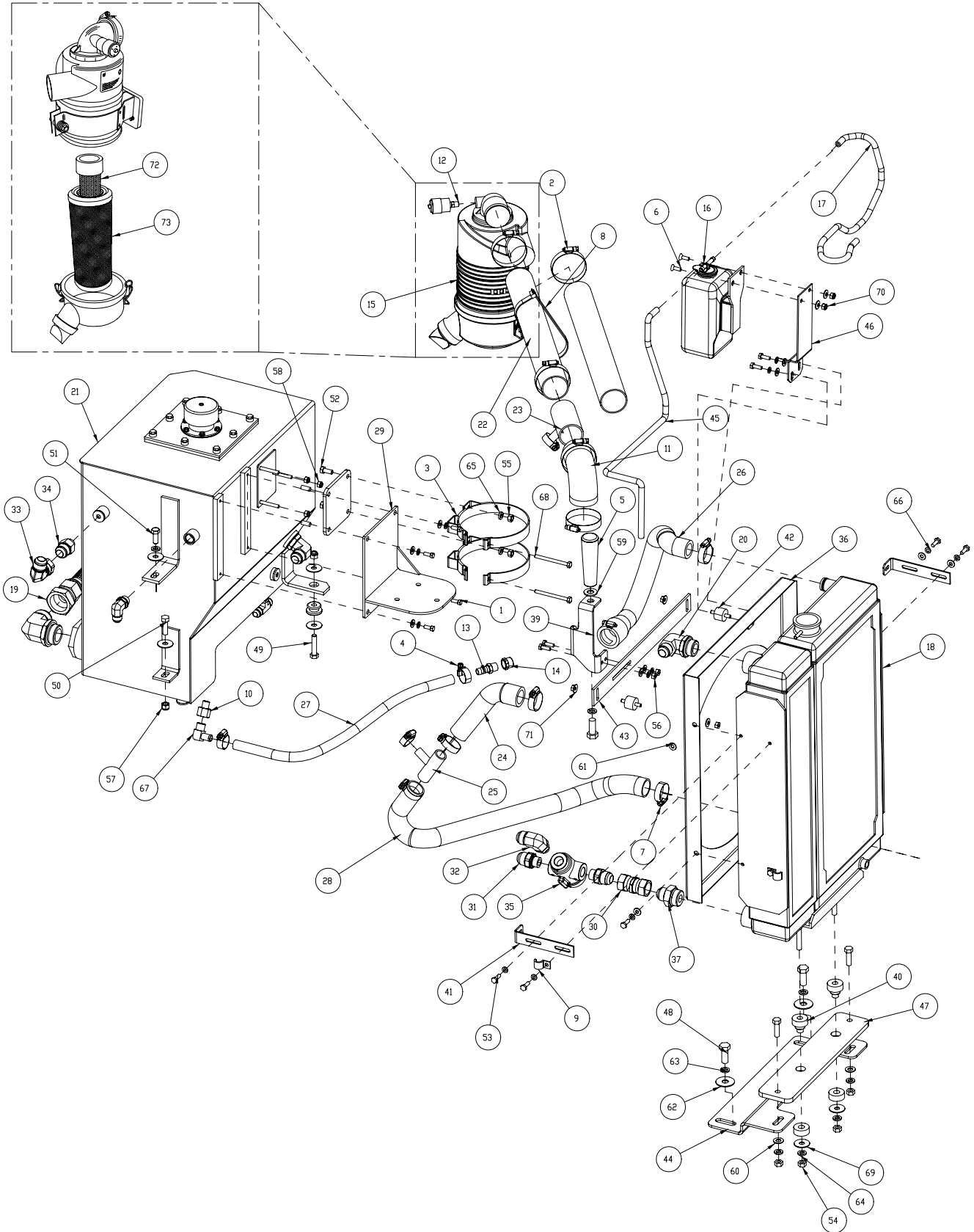


<b>ENGINE RESERVOIR, COOLER AND AIR CLEANER GM1.6L TIER 2 LPG - 3343278, REV H</b>			
<b>ITEM</b>	<b>PART NO.</b>	<b>REQ'D</b>	<b>DESCRIPTION</b>
1	711203	4	BLT-HH 1/4-20 X 0.62 STPL
2	3300336	5	CLAMP-HOSE 2.5 SS
3	3300459	2	BAND-MTG AIR CLEANER PNTD BLAC
4	3300535	4	CLAMP-HOSE 1/2
5	3300558	1	KNOB-TAPERED #145 BLACK
6	3401542	2	SCR - FHSCS, 1/4-20 X 3/4 L, ZP,
7	3302193	6	CLAMP-HOSE 1.25 NOM
8	3302493	3	TIE-WIRE, 8 LG
9	3302543	2	CLAMP-HALF 5/16 X .344
10	3303302	1	FTG-REDUCER 3/8 FPT X 1/4 MPT
11	3303385	1	ADAPTER-90 ELL RUBBER 3.50X2.5
12	3303991	1	INDICATOR-AIR CLEANER
13	3307829	1	FTG-HOSE BARB 1/2 X 3/8 MPT
14	3307830	1	FTG-CAP 3/8 FPT
15	3317917	1	AIR CLEANER ASSY-5" RADIAL SEAL
16	3318752	1	RESERVOIR 6.75 X 3.6 X 3.0
17	3336103	1	HOSE-RADIATOR DRAIN LP-GAS
18	3336103	1	RADIATOR - OIL COOLER COMBO
19	3341642	1	FTG-#20 JIC TO 1.25 BARB
20	3341644	1	FTG-90 #16 O-RING TO #12 JIC
21	3341675	1	SUB-HYD RESERVOIR ASSY 5550
22	3341789	2	HOSE-AIR CLEANER 5550
23	3341790	1	WELD-2.0" AIR CLEANER T 5550
24	3341793	1	HOSE-RADIATOR BTM SHORT 5550
25	3341794	1	WELD-TEE, LOWER RADIATOR HOSE T 555
26	3341795	1	HOSE-RADIATOR TOP 5550
27	3343108	1	HOSE-1/2 ID X 20 EEC-PCV
28	3343163	1	HOSE-RADIATOR BTM LONG
29	3343300	1	WELD-BRACKET, EPR
30	3343424	1	FTG-UNION, #12 JIC X #12 JIC
31	3343425	2	FTG-ADPT #12 JIC X #8 BSPP
32	3343426	1	FTG-ADPT 90° #12 JIC X #8 BSPP
33	3343427	1	FTG-SWIVEL 90° #12 JIC X #12 JIC
34	3343428	1	FTG-ADPT #12 JIC X #8 UNF
35	3343429	1	CONTROL UNIT-OIL TEMP.
36	3343441	1	WELD-SHROUD, RAD, GM1.6L TIER 2
37	3402003	1	FTG-ADAPTER STRAIGHT 12MJIC X 16MORB
38	3343762	1	SLEEVE-NYLON 1 X 15 LG
<b>NOTE: For machines after SN 757420 9 0274 2 or 18122039</b>			



**ENGINE RESERVOIR, COOLER AND AIR CLEANER GM1.6L TIER 2 LPG - 3343278, REV H**

**NOTE: For machines after SN SN SN 757420 9 0274 2 or 18122039**

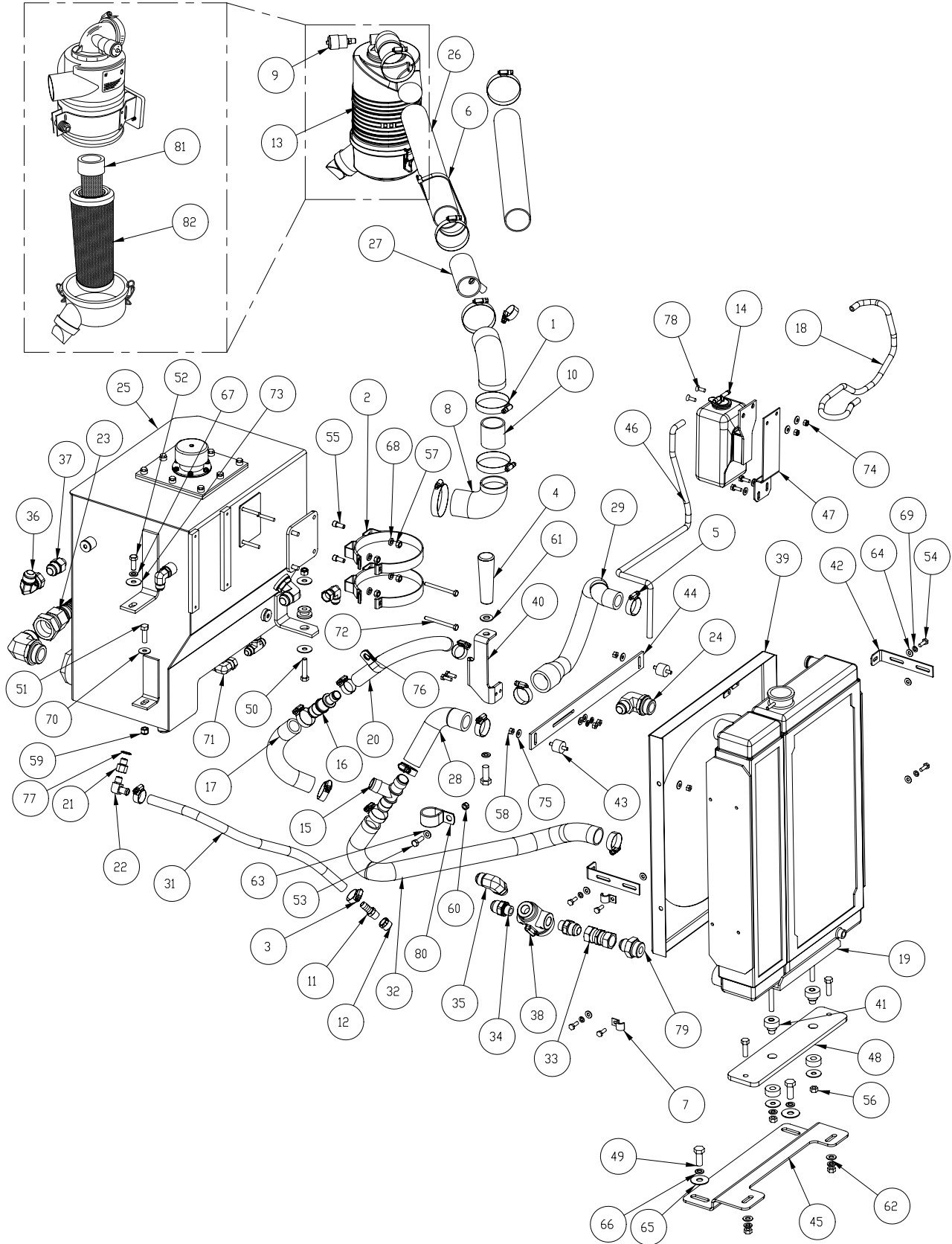




ENGINE RESERVOIR, COOLER AND AIR CLEANER GM1.6L TIER 2 LPG - 3343278, REV H			
ITEM	PART NO.	REQ'D	DESCRIPTION
39	3344099	1	PLT - BRKT ENGINE HANDLE
40	3344110	2	ISOLATOR-BONDED BUSHING BOTT RAD
41	3344111	2	PLT- ISO BRACKET 1800/CORE 50
42	3344112	2	ISOL- CYL, 1 DIA X 3/4 X 1/4-20, 50LBS
43	3344113	1	PLT-UP RADIATOR MNT 1800/CORE 50
44	3344118	1	PLT-WD BOTT RAD MNT 1800/CORE 50
45	3344147	1	HOSE - 1/4" ID X 28" LG OVERFLOW
46	3344186	1	PLT-BRKT RESEVOIR BOTT MNT
47	3344192	1	PLT - RADIATOR MNT
48	3400022	3	SCR-HEX 1/2-13 X 1.25 ZP
49	3400027	1	SCREW-HHM 3/8-16 X 1.75 LG ZP
50	3400029	3	SCR-HEX 3/8 -16X1.25 ZP
51	3400030	1	SCREW-HHM 3/8-16 X 1.0 LG ZP
52	3400036	2	BOLT-HH 5/16-18X3/4
53	3400042	11	SCR-HEX 1/4-20X.75 ZP
54	3400068	4	NUT-HEX 3/8-16 ZP
55	3400070	2	NUT-HEX 5/16-18 ZP
56	3400071	6	NUT-HEX 1/4-20 ZP
57	3400079	2	NUT-HEX 3/8-16 ES ZP
58	3400081	3	NUT-HEX 1/4-20 ES ZP
59	3400086	1	WASHER-FLAT 1/2 STANDARD ZP
60	3400087	2	WASHER 3/8 ID .81 OD X .065 THK
61	3400089	13	WASHER 1/4 ID .63 OD X .065 THK
62	3400091	2	WASHER-FENDER 1/2 ZP
63	3400098	3	WSR-LOCK 1/2, ZP
64	3400101	5	WASHER-LOCK 3/8 SPLIT ZP
65	3400102	2	WSR-LOCK 5/16, ZP
66	3400103	16	WASHER-LOCK 1/4 SPLIT ZP
67	3400190	1	FTG-90 ELL 1/2 TUBE TO 3/8 MPT
68	3400252	2	SCR-HEX,1/4-20X3.0 ZP
69	3400278	6	WASHER-FENDER 3/8 ZP
70	3400324	2	NUT-HEX 1/4-20-SS-ES
71	3400383	6	WASHER CONICAL SPRING 1/4
72	3322572	1	ELEMENT-AIR CLEANER, SAFETY
73	3321143	1	ELEMENT-AIR CLEANER, PRIMARY
<b>NOTE: For machines after SN 757420 9 0274 2 or 18122039</b>			

**ENGINE RESERVOIR, COOLER AND AIR CLEANER GM1.6L TIER 2 GAS - 3343284, REV J**

**NOTE: For machines after SN 757420 7 0206 5 or 18122039**



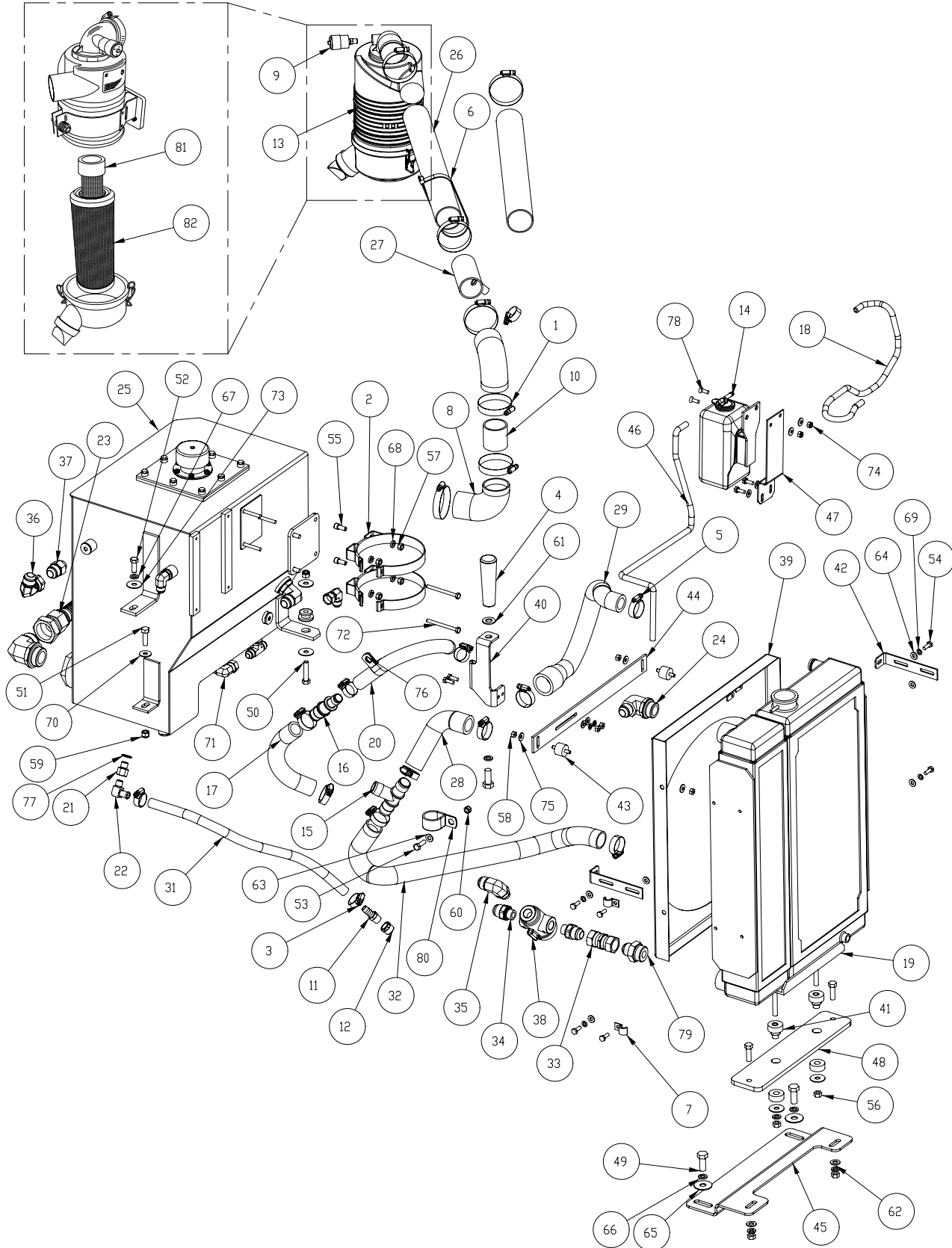
**ENGINE RESERVOIR, COOLER AND AIR CLEANER GM1.6L TIER 2 GAS - 3343284, REV J**

ITEM	PART NO.	REQ'D	DESCRIPTION
1	3300336	7	CLAMP-HOSE 2.5 SS
2	3300459	2	BAND-MTG AIR CLEANER PNTD BLAC
3	3300535	5	CLAMP-HOSE 1/2
4	3300558	1	KNOB-TAPERED #145 BLACK
5	3302193	8	CLAMP-HOSE 1.25 NOM
6	3302493	1	TIE-WIRE, 8 LG
7	3302543	2	CLAMP-HALF 5/16 X .344
8	3303385	2	ADAPTER-90 ELL RUBBER 3.50X2.5
9	3303991	1	INDICATOR-AIR CLEANER
10	3304641	1	TUBE - INTAKE COUPLER, 2.00" OD X 2.00" LG
11	3307829	1	FTG-HOSE BARB 1/2 X 3/8 MPT
12	3307830	1	FTG-CAP 3/8 FPT
13	3317917	1	AIR CLEANER ASSY-5" RADIAL SEAL
14	3318752	1	RESERVOIR 6.75 X 3.6 X 3.0
15	3336082	1	TEE-HOSE, 1"
16	3336083	1	COUPLER-HOSE, REDUC 1"X3/4"
17	3336085	1	HOSE-COOLANT 1" ID
18	3336103	1	RADIATOR - OIL COOLER COMBO
19	3336103	1	HOSE-RADIATOR DRAIN LP-GAS
20	3336555	1	HOSE-COOLANT 3/4" ID
21	3336592	1	FTG - ADAPTOR, 14MMX1.5 THREAD, 1/4 FNPT, ZP
22	3336593	1	FTG - BH BARB, 90° ELL, 1/4 MPT X 1/2" OD BARB
23	3341642	1	FTG-#20 JIC TO 1.25 BARB
24	3341644	1	FTG-90 #16 O-RING TO #12 JIC
25	3341675	1	SUB-HYD RESERVOIR ASSY 5550
26	3341789	2	HOSE-AIR CLEANER 5550
27	3341790	1	WELD-2.0" AIR CLEANER T 5550
28	3341793	1	HOSE-RADIATOR BTM SHORT 5550
29	3341795	1	HOSE-RADIATOR TOP 5550
30	3342199	1	SWITCH-PRESSURE 550 PSI (FWD/R
31	3343108	1	HOSE-1/2 ID X 20 EEC-PCV
32	3343163	1	HOSE-RADIATOR BTM LONG
33	3343424	1	FTG-UNION, #12 JIC X #12 JIC
34	3343425	2	FTG-ADPT #12 JIC X #8 BSPP
35	3343426	1	FTG-ADPT 90° #12 JIC X #8 BSPP
36	3343427	1	FTG-SWIVEL 90° #12 JIC X #12 JIC
37	3343428	1	FTG-ADPT #12 JIC X #8 UNF
38	3343429	1	CONTROL UNIT-OIL TEMP.
39	3343441	1	WELD-SHROUD, RAD, GM1.6L TIER 2
40	3344099	1	PLT - BRKT ENGINE HANDLE
41	3344110	2	ISOLATOR-BONDED BUSHING BOTT RAD

**NOTE: For machines after SN 757420 7 0206 5 or 18122039**

**ENGINE RESERVOIR, COOLER AND AIR CLEANER GM1.6L TIER 2 GAS - 3343284, REV J**

**NOTE: For machines after SN 757420 7 0206 5 or 18122039**

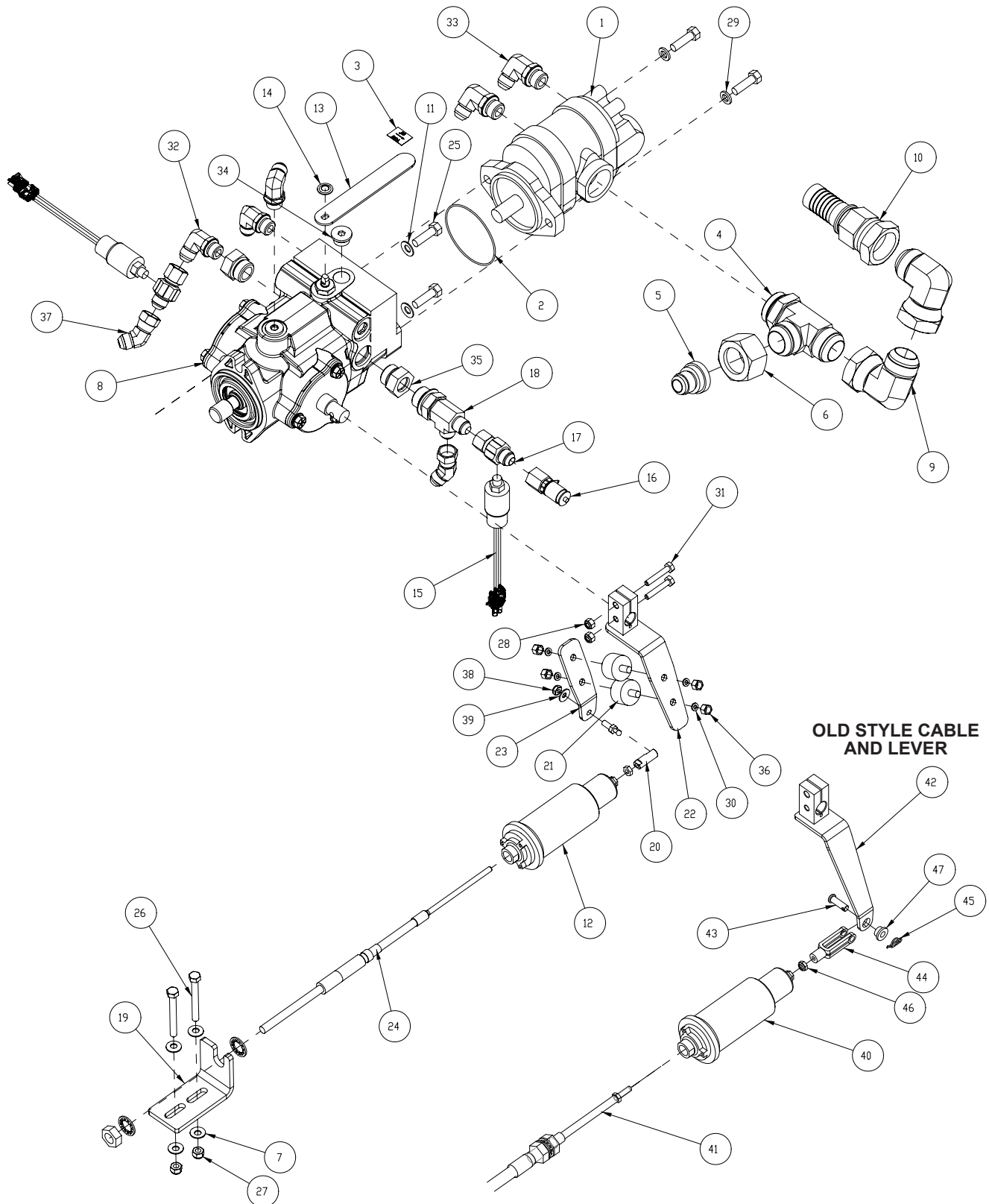


<b>ENGINE RESERVOIR, COOLER AND AIR CLEANER GM1.6L TIER 2 GAS - 3343284, REV J</b>			
<b>ITEM</b>	<b>PART NO.</b>	<b>REQ'D</b>	<b>DESCRIPTION</b>
42	3344111	2	PLT- ISO BRACKET 1800/CORE 50
43	3344112	2	ISOL- CYL, 1 DIA X 3/4 X 1/4-20, 50LBS
44	3344113	1	PLT-UP RADIATOR MNT 1800/CORE 50
45	3344118	1	PLT-WD BOTT RAD MNT 1800/CORE 50
46	3344147	1	HOSE - 1/4" ID X 28" LG OVERFLOW
47	3344186	1	PLT-BRKT RESEVOIR BOTT MNT
48	3344192	1	PLT - RADIATOR MNT
49	3400022	3	SCR-HEX 1/2-13 X 1.25 ZP
50	3400027	1	SCREW-HHM 3/8-16 X 1.75 LG ZP
51	3400029	3	SCR-HEX 3/8 -16X1.25 ZP
52	3400030	1	SCREW-HHM 3/8-16 X 1.0 LG ZP
53	3400035	1	SCR-HEX 5/16-18X1.00 ZP
54	3400042	10	SCR-HEX 1/4-20X.75 ZP
55	3400047	2	SCR-SOC, 5/16-18 X .75, ZP
56	3400068	4	NUT-HEX 3/8-16 ZP
57	3400070	4	NUT-HEX 5/16-18 ZP
58	3400071	6	NUT-HEX 1/4-20 ZP
59	3400079	2	NUT-HEX 3/8-16 ES ZP
60	3400080	1	NUT-HEX 5/16-18 ES ZP
61	3400086	1	WASHER-FLAT 1/2 STANDARD ZP
62	3400087	2	WASHER 3/8 ID .81 OD X .065 THK
63	3400088	1	WASHER 5/16 ID .688 OD X .065 THK
64	3400089	10	WASHER 1/4 ID .63 OD X .065 THK
65	3400091	2	WASHER-FENDER 1/2 ZP
66	3400098	3	WSR-LOCK 1/2, ZP
67	3400101	5	WASHER-LOCK 3/8 SPLIT ZP
68	3400102	4	WSR-LOCK 5/16, ZP
69	3400103	8	WASHER-LOCK 1/4 SPLIT ZP
70	3400233	1	WASHER 5/16 ID 1.0 OD X .065 THK
71	3400244	2	FTG-90 SWIVEL 8JIC
72	3400252	2	SCR-HEX,1/4-20X3.0 ZP
73	3400278	5	WASHER-FENDER 3/8 ZP
74	3400324	2	NUT-HEX 1/4-20-SS-ES
75	3400383	6	WASHER CONICAL SPRING 1/4
76	3400999	1	CLAMP- P TYPE 1 DIA, ZP VINYL COATED
77	3401466	1	SEAL - OIL PAN DRAIN, GM1.6L ENG
78	3401542	2	SCR - FHSCS, 1/4-20 X 3/4 L, ZP,
79	3402003	1	FTG-ADAPTER STRAIGHT 12MJIC X 16MORB
80	3402005	1	CLAMP-P 1.5 DIA
81	3322572	1	ELEMENT-AIR CLEANER, SAFETY
82	3321143	1	ELEMENT-AIR CLEANER, PRIMARY

**NOTE: For machines after SN 757420 7 0206 5 or 18122039**

**ENGINE PUMPS AND FITTINGS GM1.6L TIER 2 - LPG 3343278 H & GAS 3343284 J**

**NOTE:** For machines after SN 757420 7 0206 5(GAS), 757420 7 0193 4(LPG) or 16904077

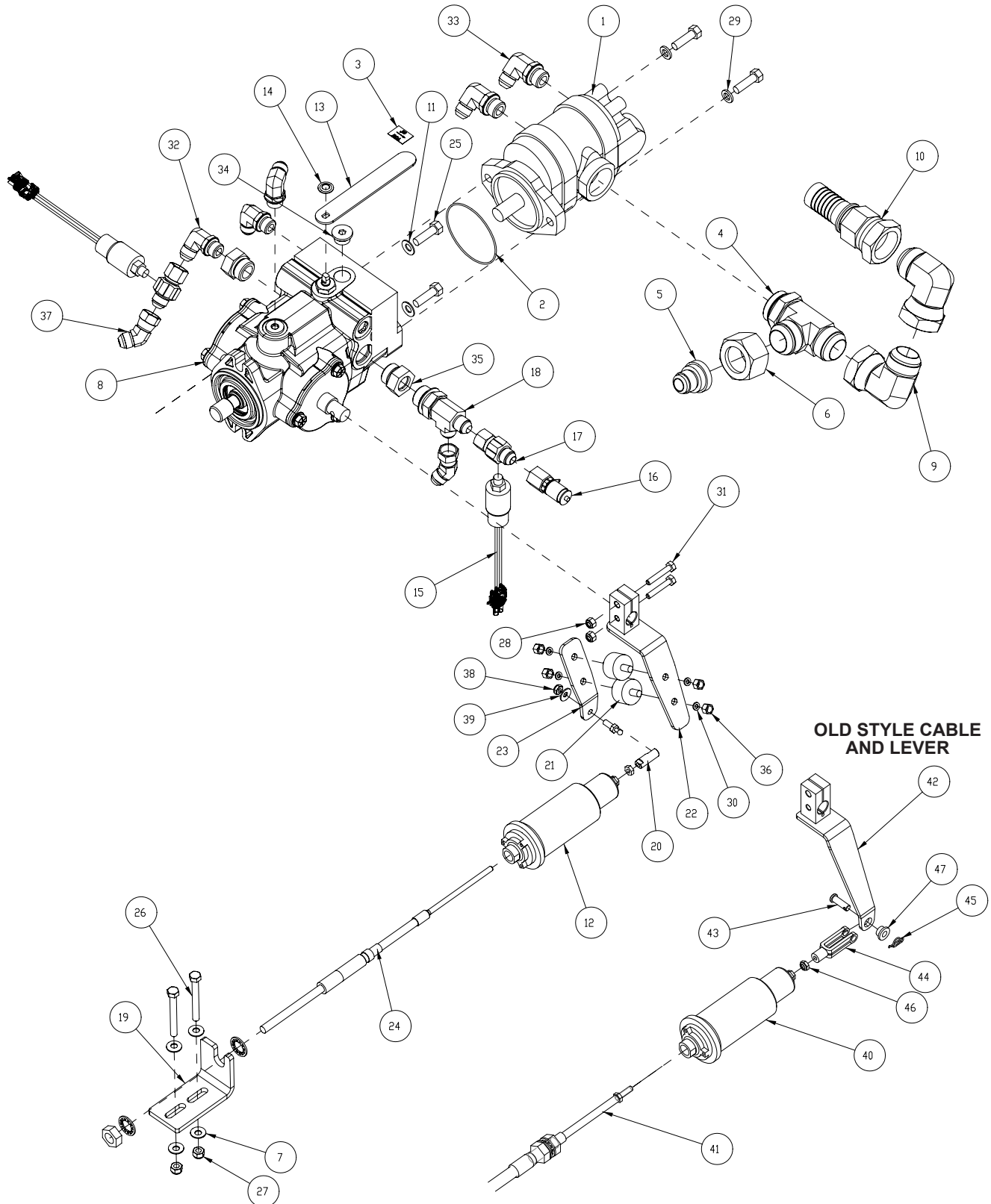




ENGINE PUMPS AND FITTINGS GM1.6L TIER 2 - LPG 3343278 H & GAS 3343284 J			
ITEM	PART NO.	REQ'D	DESCRIPTION
1	3341146	1	PUMP-GEAR, .84 CI/R, .66 CI/R
2	3303711	1	O-RING STATIC SEAL 3.239 ID
3	3334785	1	DECAL- TOW VALVE
4	3341120	1	FTG-TEE 1-5/8-12 TO #20
5	3341121	1	FTG-REDUCER #20 TO #12
6	3341122	1	NUT-REDUCER 3 PIECE #20
7	3400384	4	WASHER CONICAL SPRING 5/16
8	3341149	1	PUMP-HYD VAR DISP 5550
9	3341641	2	FTG-SWIVEL 90 ELBOW #20 JIC
10	3341642	1	FTG-#20 JIC TO 1.25 BARB
11	3400385	2	WASHER CONICAL SPRING 3/8
12	3341959	1	CENTERING SPRING-HYDROBACK
13	3342055	1	HANDLE-TOW VALVE
14	3342058	1	NUT-3/8 PUSH
15	3342199	2	SWITCH-PRESSURE 550 PSI (FWD/R
16	3342203	1	COUPLING-TEST 8F JIC SWIVEL
17	3342204	2	FTG-GAUGE PORT -8 JIC
18	3342826	1	FTG-TEE #8 3/4-16 TO #12 1 1/1
19	3343292	1	BRACKET-FWD/REV MNT 5550
20	3343692	1	BALL JOINT 1/4-28 LONG LG
21	3343693	2	ISOLATOR - FWD REV LEVER
22	3343766	1	ASSY-LEVER VAR PUMP 1800
23	3344011	1	PLATE-ISOLATOR MNT FWD/REV
24	3344024	1	CABLE-ASSEMBLY FWD/REV
25	3400029	4	SCR-HEX 3/8 -16X1.25 ZP
26	3400037	2	SCREW-HHM 5/16-18 X 2.75 LG ZP
27	3400080	2	NUT-HEX 5/16-18 ES ZP
28	3400081	2	NUT-HEX 1/4-20 ES ZP
29	3400101	2	WASHER-LOCK 3/8 SPLIT ZP
30	3400105	4	WASHER-LOCK #8 SPLIT ZP
<b>NOTE: For machines after SN 757420 7 0206 5(GAS), 757420 7 0193 4(LPG) or 16904077</b>			

**ENGINE PUMPS AND FITTINGS GM1.6L TIER 2 - LPG 3343278 H & GAS 3343284 J**

**NOTE:** For machines after SN 757420 7 0206 5(GAS), 757420 7 0193 4(LPG) or 16904077



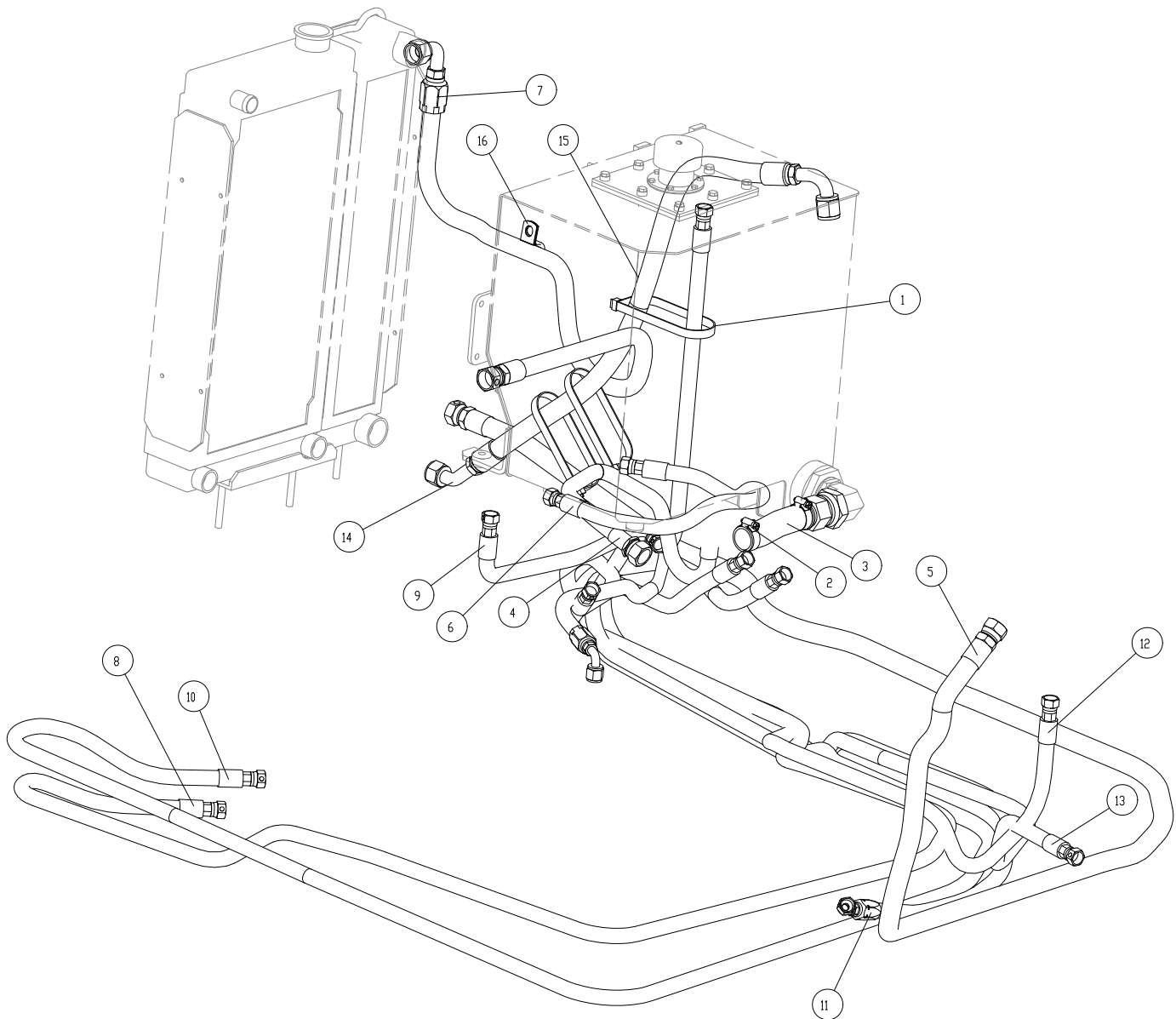


## PARTS BREAKDOWN

31	3400149	2	SCREW-HHM 1/4-20 X 1.5 LG
32	3400154	3	FTG-90 EL 3/4-16 MORB X -8JIC
33	3400155	2	FTG-90 EL 8JIC X 10MORB
34	3400164	1	FTG-PLUG 3/4-16 O-RING
35	3400167	2	FTG-12MORB X 8FORB
36	3400195	4	NUT-HEX # 10-32 ZP
37	3400249	2	FTG-SWIVEL 45 EL #8 JIC
38	3400373	1	NUT-HEX 1/4-28-ES-ZP
39	3400383	1	WASHER CONICAL SPRING 1/4
40	3341959	1	CENTERING SPRING-HYDROBACK
41	3342574	1	CABLE ASSY-PUSH/PULL CONTROL
42	3343289	1	ASSY-LEVER VAR PUMP 5550
43	3343293	1	PIN-5/16, CLEVIS
44	3343447	1	CLEVIS, 5/16
45	3400125	1	PIN-COTTER 3/8 RUE RING
46	3400373	1	NUT-HEX 1/4-28-ES-ZP
47	3343446	1	BUSHING .3125 ID X .50 OD X .32 L (PART OF ITEM 42)
<b>NOTE: For machines after SN 757420 7 0206 5(GAS), 757420 7 0193 4(LPG) or 16904077</b>			

**ENGINE HOSE ROUTING GM1.6L TIER 2 - LPG 3343278, REV H & GAS 3343284 J**

**NOTE:** For machines after SN 757420 7 0206 5(GAS), 757420 7 0193 4(LPG) or 16904077

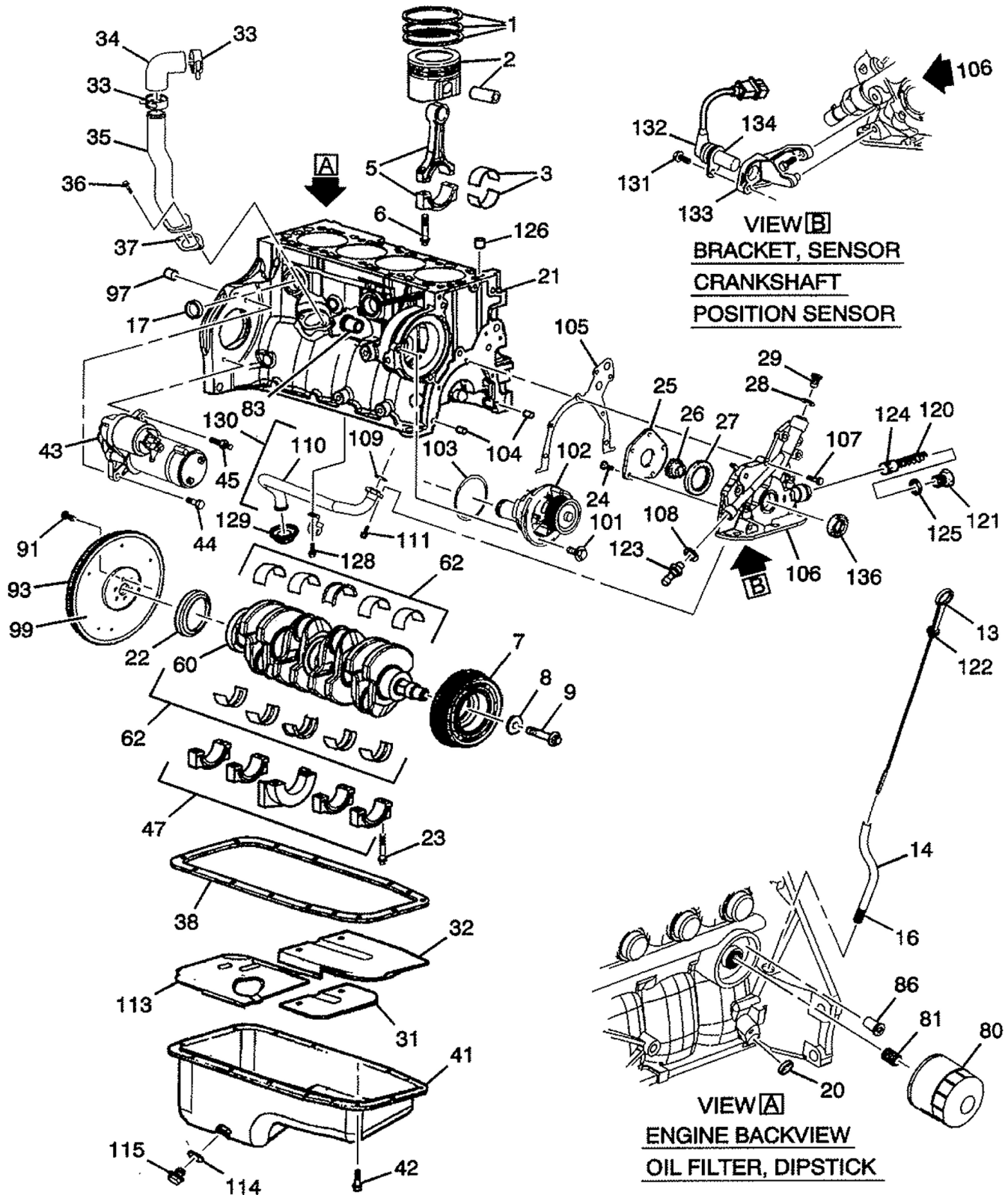


**ENGINE HOSE ROUTING GM1.6L TIER 2 - LPG 3343278, REV H & GAS 3343284 J**

ITEM	PART NO.	REQ'D	DESCRIPTION
1	3302493	3	TIE-WIRE, 8 LG
2	3303255	2	CLAMP-HOSE 1 3/4 NOM.
3	3341643	1	HOSE-HYD SUCTION 1.25 X 6.00
4	3341751	1	HOSE- .50 AR 24.0 ST #8 ST #12
5	3341813	1	HOSE-.75 AR 122.0 ST #12 ST#12
6	3341817	1	HOSE- .50 AR 25.0 ST #8 ST #8
7	3342488	1	HOSE- .75 AR 45.0 ST #12
8	3342489	1	HOSE- .50 AR 150.75 ST #8
9	3342490	1	HOSE- .50 AR 44" W/C ST #
10	3342491	1	HOSE- .50 AR 138.5 ST #8
11	3342495	1	HOSE- .50 AR 89.0 ST #8
12	3342502	1	HOSE- .50 AR 93 ST #8 ST #8
13	3342503	1	HOSE- .50 AR 93 ST #8 ST #8
14	3343474	1	HOSE-3/4 AR 36.5 45□#12 X 90□#12
15	3343762	1	SLEEVE-NYLON 1 X 15 LG
16	3400999	1	CLAMP- P TYPE 1 DIA, ZP VINYL COATED

**NOTE:For machines after SN 757420 7 0206 5(GAS), 757420 7 0193 4(LPG) or 16904077**

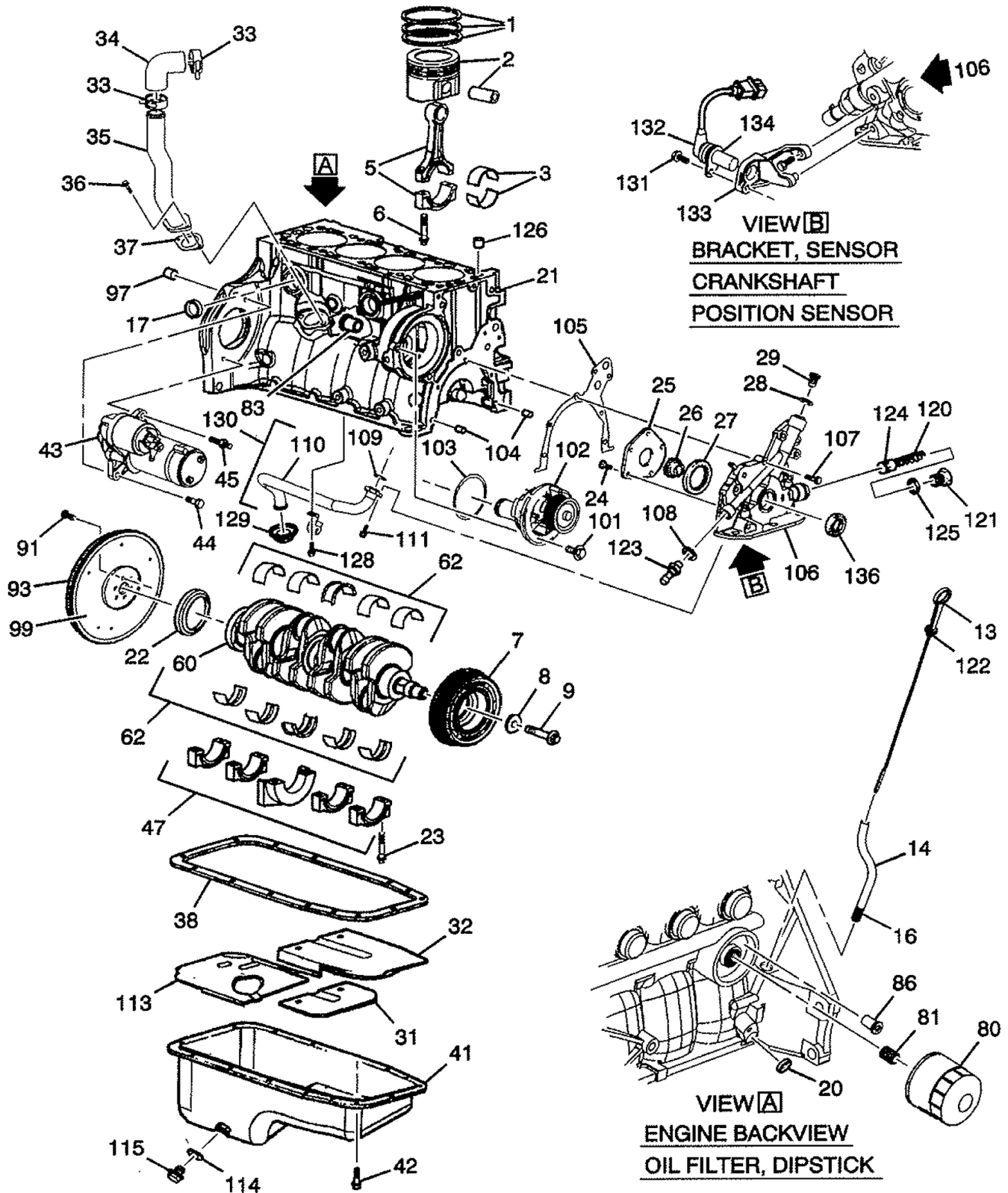
ENGINE GM 1.6L TIER 2 BREAKDOWN 1 - LPG 3343256 AND GAS 3343324



**ENGINE GM 1.6L - LPG 3343256 AND GAS 3343324 COMPONENT BREAKDOWN 1**

ITEM	PART NO.	REQ'D	DESCRIPTION
1	3338733	4	RING KIT, PISTION (STD)
2	3338734	1	PISTON WFPIN (STD) (INELS 1,5,6)
3	3338735	1	BEARING KIT, CONNECTING ROD (STD)
5	3338736	1	ROD, CONNECTING (ALSO PART OF 2)
6	3338737	8	BOLT, CONNECTING ROD (ALSO PART OF 2)
7	3342317	1	PULLEY, CRANKSHAFT
8	3338738	1	WASHER, CRANKSHAFT PULLEY
9	3338739	1	BOLT, CRANKSHAFT PULLEY
13	3338740	1	DIPSTICK
14	3338741	1	TUBE, DIPSTICK
16	3338742	AR	SEALER, CAMSHAFT BEARING HOLD PLUG
17	3338743	6	PLUG, ENG BLOCK COOL DRAIN HOLE
20	3338744	AR	PLUG, ENG BLOCK CORE HOLE
21	3338745	1	ENGINE, SERVICE
22	3343659	1	SEAL, CRANKSHAFT REAR OIL
23	3338746	10	BOLT, CRANKSHAFT BEARING CAP
24	3338747	5	BOLT, OIL PUMP COVER (ALSO PART OF 106)
25	3338748	1	COVER, OIL PUMP (ALSO PART OF 106)
26	3338749	1	GEAR, OIL PUMP DRIVE (ALSO PART OF 106)
27	3337397	1	GEAR, OIL PUMP DRIVE (ALSO PART OF 106)
28	3342329	1	SEAL, OIL PUMP HOUSING
29	3338750	1	PLUG. OIL PUMP HOUSING
30	3338751	1	BAFFLE, OIL PAN
	3338752	1	BAFFLE, OIL PAN
31	N/A	-	PART OF ITEM 41
32	3338754	1	BAFFLE, OIL PAN (ALSO PART OF 41)
33	3338755	2	CLAMP, PCV HOSE
34	3343669	1	HOSE, PCV
35	3338756	1	TUBE, PCV
36	3338757	2	BOLL, PCV TUBE
37	3342331	1	GASKET, PCV TUBE
38	3338758	1	GASKET, OIL PAN
41	3343662	1	PAN, OIL (INCLS 31, 113,114,115)
42	3338759	15	BOLT, OIL PAN
43	3342333	1	STARTER (BOSCH TYPE), BEFORE S/N 1P6L1315
	3336742	1	STARTER (DELCO TYPE), AFTER S/N 1P6L1315

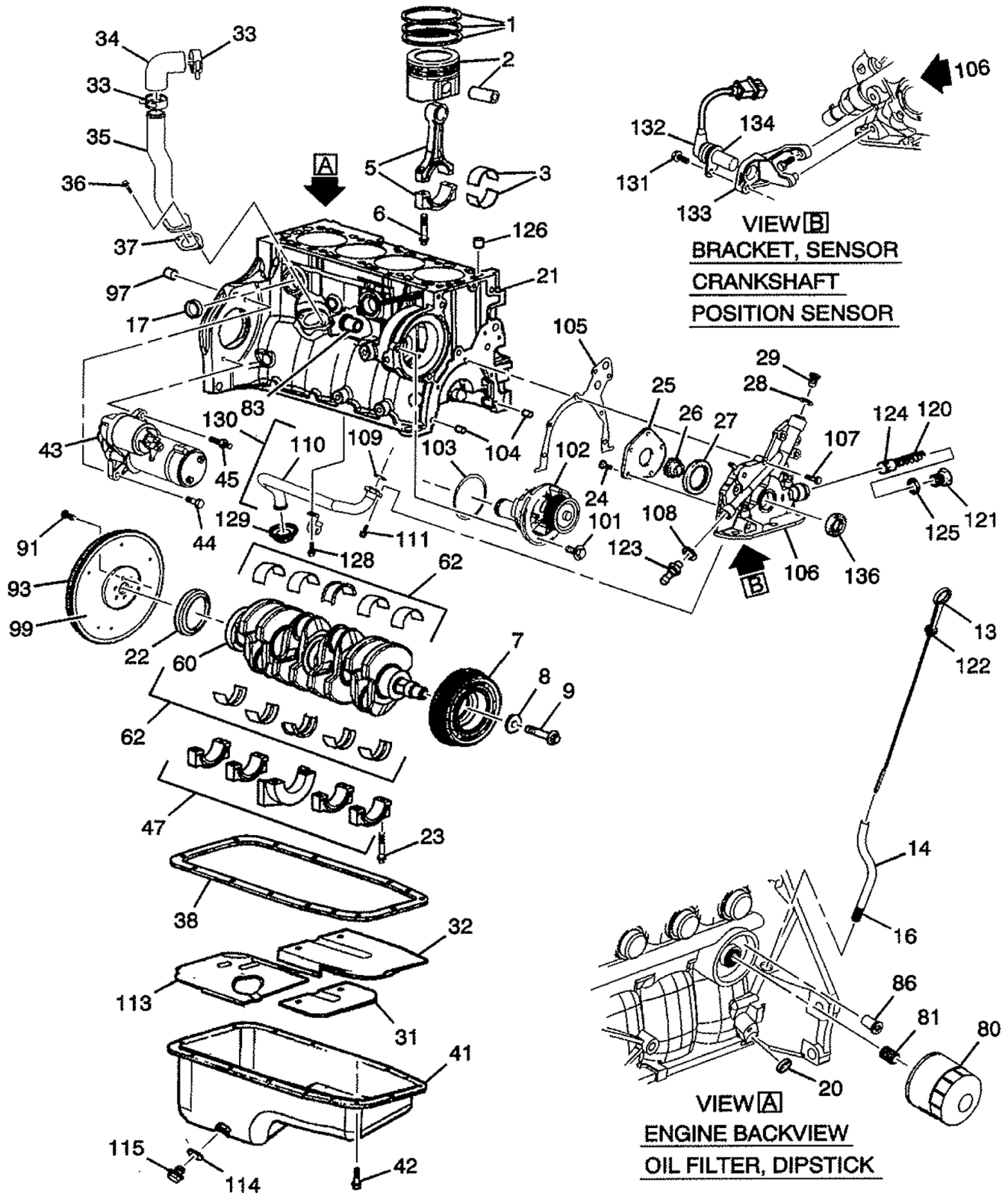
ENGINE GM 1.6L TIER 2 BREAKDOWN 1 - LPG 3343256 AND GAS 3343324 (CONTINUED)





ENGINE GM 1.6L - LPG 3343256 AND GAS 3343324 COMPONENT BREAKDOWN 1			
ITEM	PART NO.	REQ'D	DESCRIPTION
44	3343613	1	BOLT, STARTER
45	3343612	1	STUD, STARTER
60	3338760	1	CRANKSHAFT
62	3338761	4	BEARING KIT, CRANKSHAFT (POSN#1,2,4,5) (.25MM GREEN)
	3338762	4	BEARING KIT, CRANKSHAFT (POSN#3) (STD BROWN)
	3338763	4	BEARING KIT, CRANKSHAFT (POSN#1,2,3,4,5) (STD BRN/BLUE)
	3338764	4	BEARING KIT, CRANKSHAFT (POSN#4) (.50MM GREEN/BLUE)
	3338765	4	BEARING KIT, CRANKSHAFT (POSN#3) (STD GREEN)
	3338766	4	BEARING KIT, CRANKSHAFT (POSN# 1,2,4,5) (STD BROWN)
66	3338767	1	VALVE, OIL FILTER BYPASS
80	3342201	1	FILTER, OIL
81	3343655	1	FITTING, OIL FITTER
82	3338768	1	SPROCKET, WATER PUMP
91	3338769	6	BOLT, FLYWHEEL
97	3338770	2	PIN, TRANS LOCK
99	3338771	1	FLYWHEEL
101	3338772	3	BOLT, WATER PUMP COVER
102	3343668	1	PUMP KIT, WATER
103	3338773	1	SEAL, WATER PUMP COVER
104	3338774	2	PIN, OIL PUMP HOUSING LOCK
105	3337396	1	GASKET, OIL PUMP
106	3338775	1	PUMP, OIL (INCLS: 24,25,26,27,121,125)
107	3338776	6	BOLL. OIL PUMP
108	3338777	1	SEAL, OIL PAN DRAIN PLUG
109	3338778	1	SEAL, OIL PUMP SUE PIPE
110	3338779	1	PIPE, OIL PUMP SUE (PART OF 130)
111	3338780	2	BOLL, OIL PUMP SCREEN
112	3338781	1	BOLT, OIL PUMP SCREEN BRACKET
113	3338782	1	BAFFLE, OIL PAN
	3338783	1	BAFFLE, OIL PAN
114	3338784	1	SEAL, OIL PAN DRAIN PLUG (ALSO PART OF 41)
115	3343651	1	PLUG, OIL PAN DRAIN (ALSO PART OF 41)
120	3338785	1	SPRING. OIL PRESSURE RELIEF VALVE (ALSO PART OF 106)
121	3338786	1	PLUG, OIL PRESSURE RELIEF VALVE BORE (PART OF 106)
122	3338787	1	SEAL, OIL FILLER CAP (PART OF 13)
123	3343661	1	SWITCH, ENG OIL PRESSURE INDICATOR
124	3338788	1	VALVE, OIL PRESSURE RELIEF
125	3338789	1	GASKET, OIL PRESSURE RELIEF VALVE BORE PLUG (PART OF 106)

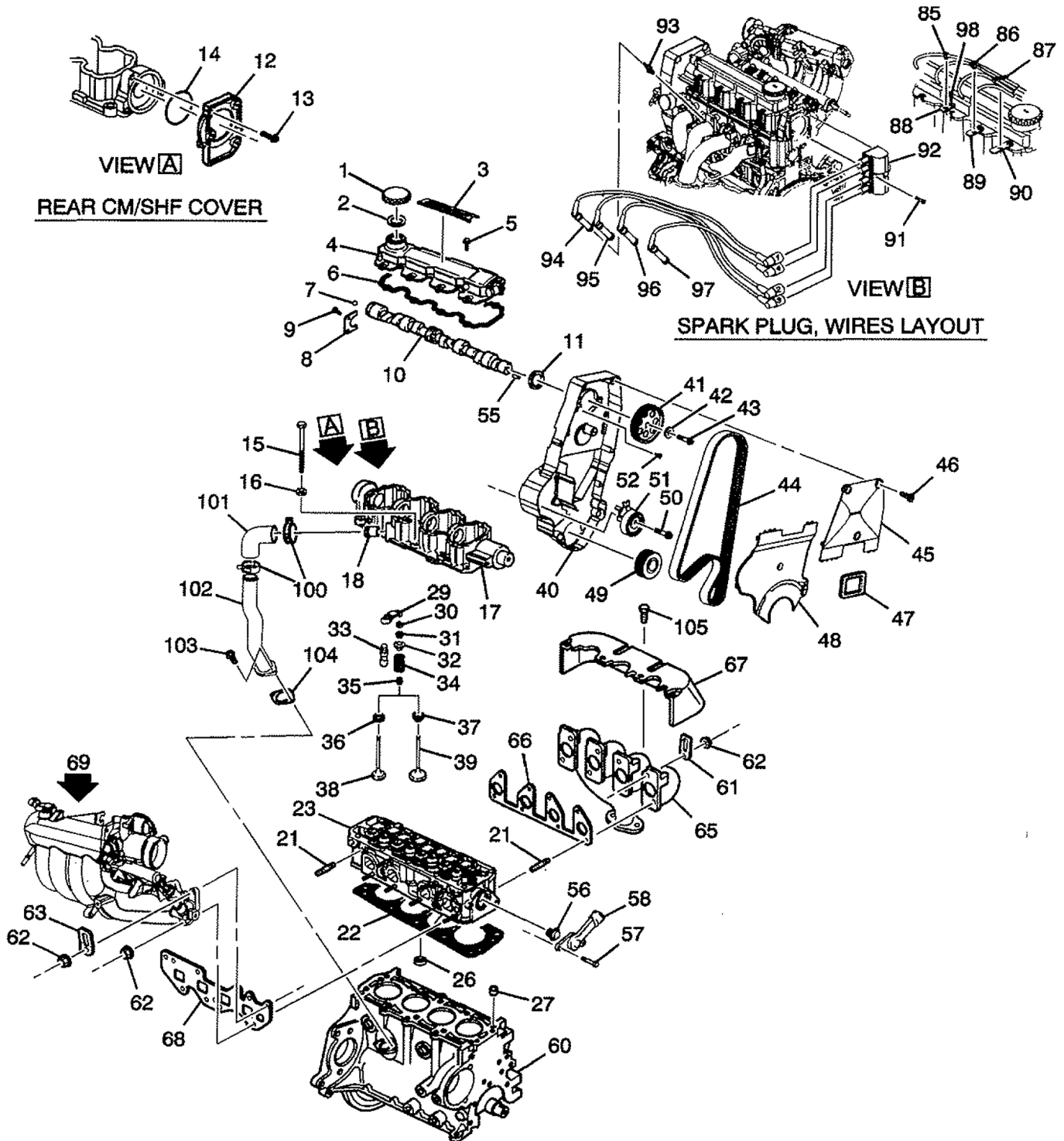
ENGINE GM 1.6L TIER 2 BREAKDOWN 1 - LPG 3343256 AND GAS 3343324 (CONTINUED)





<b>ENGINE GM 1.6L - LPG 3343256 AND GAS 3343324 COMPONENT BREAKDOWN 1</b>			
<b>ITEM</b>	<b>PART NO.</b>	<b>REQ'D</b>	<b>DESCRIPTION</b>
126	3338790	2	PIN, CAMSHAFT HOUSING LOCK
128	3338791	1	BRACKET, OIL PUMP SCREEN
129	N/A		PART OF ITEM 130
130	3338793	1	SCREEN, OIL PUMP (INCLS: 110,129)
131	3338794	1	BOLT. CRANKSHAFT POSN SENSOR BRACKET
132	3342351	1	SENSOR, CRANKSHAFT POSN
133	3338795	1	BRACKET, CRANKSHAFT POSN SENSOR LEAD CLIP
134	3338796	3	BOLT, CRANKSHAFT POSN SENSOR
136	3337398	1	SEAL, OIL PUMP

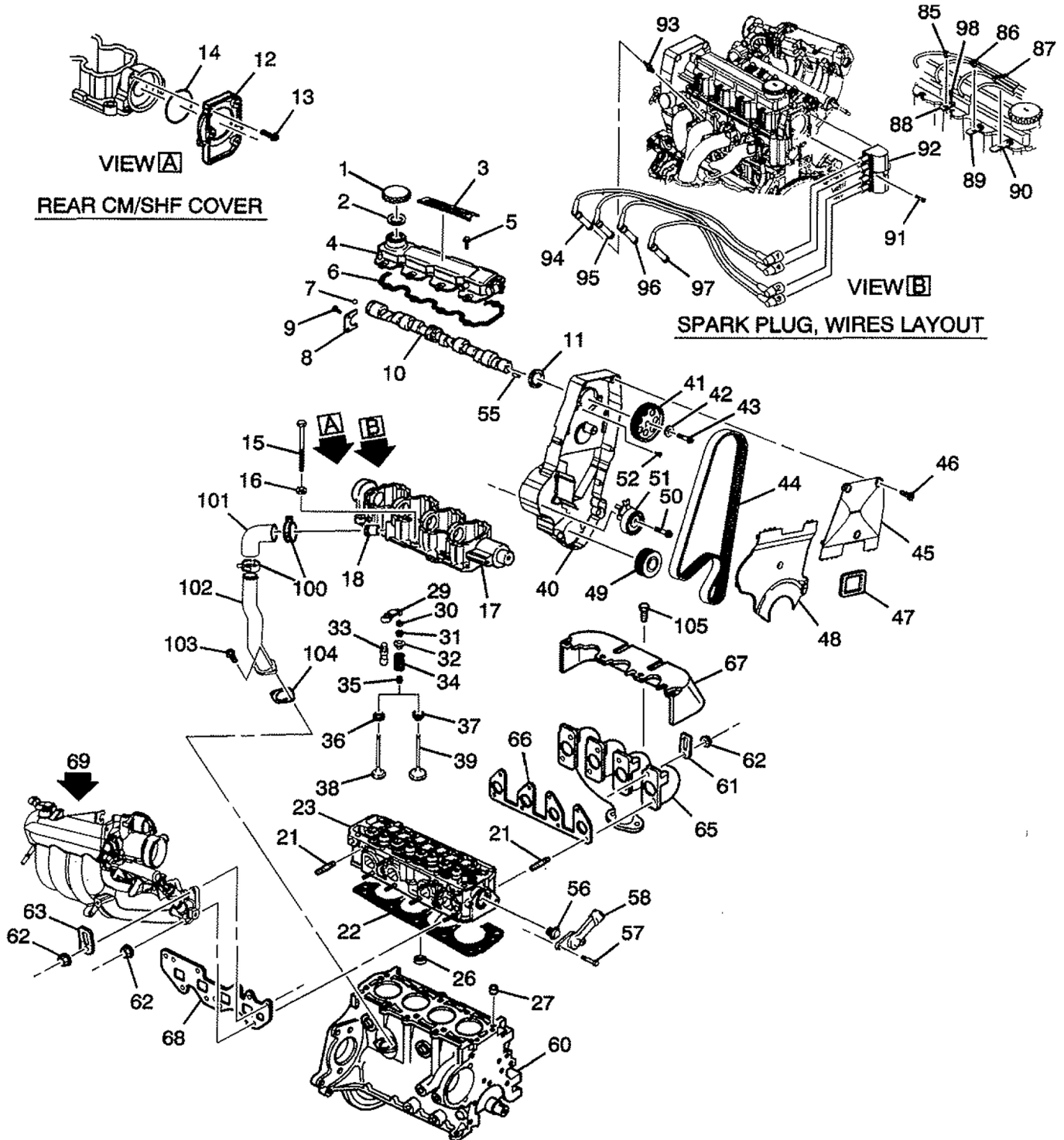
ENGINE GM 1.6L TIER 2 BREAKDOWN 2 - LPG 3343256 AND GAS 3343324



**ENGINE GM 1.6L TIER 2 BREAKDOWN 2 - LPG 3343256 AND GAS 3343324**

ITEM	PART NO.	REQ'D	DESCRIPTION
1	3342352	1	CAP, OIL FILLER (INCLUDES ITEM 2 SEAL)
2	3338688	1	SEAL, OIL FILLER CAP
3			PART OF ITEM 4
4	3342354	1	COVER, CAMSHAFT HOUSING
5	3338689	8	BOLT, OIL
6	3342356	1	GASKET, CAMSHAFT HOUSING COVER
7	3338690	2	BALL. CAMSHAFT OIL RSTR (ALSO PART OF 10)
8	3338691	1	RETAINER, CAMSHAFT
9	3342363	2	BOLT, CAMSHAFT RET.
10	3338692	1	CAMSHAFT (INCLS: 7,55)
11	3342361	1	SEAL, CAMSHAFT
12	3338693	1	COVER, CAMSHAFT HOUSING
13	3338694	3	BOLT, CAMSHAFT REAR COVER
14	3342364	1	SEAL, CAMSHAFT HOUSING COVER BOLT
15	3343658	10	BOLT, CYLINDER HEAD
16	3338695	1	WASHER, CAMSHAFT SPROCKET
17	3338696	1	HOUSING, CAMSHAFT
18	3338697	1	TUBE.PCV
21	3342368	5	STUD, INTAKE MANIFOLD
22	3342365	1	GASKET KIT. CYLINDER HEAD
23	3343660	1	HEAD. CYLINDER
26	3343664	4	SEAT, EXHAUST VALVE
	3343665	4	SEAT, EXHAUST VALVE (0.2MM OS)
	3343666	4	SEAT. EXHAUST VALVE (0.4MM OS)
	3343667	4	SEAT, EXHAUST VALVE
27	3338698	2	PIN, CAMSHAFT HOUSING LOCK
29	3342371	ARM,	VALVE ROCKER
30	3338699	8	SEAT, VALVE ROCKER ARM VALVE
	3338700	8	SEAT, VALVE ROCKER ARM VALVE (CUP SHAPE 19X29X7)
31	3343663	16	KEY, VALVE STEM
32	3342374	4	CAP, VALVE SPRING
33	3338701	8	ADJUSTERM, HYDRAULIC VALVE LASH
34	3338702	8	SPRING, VALVE (INTAKE AND EXHAUST)
35	3343670	8	SEAL, VALVE STEM OIL
36	3338703	4	ROTATOR, VALVE
37	3338704	8	SEAT, VALVE ROCKER ARM VALVE
	3338705	8	SEAT. VALVE ROCKER ARM VALVE (CUP SHAPE 19X29X7)
38	3342379	4	VALVE, EXHAUST
39	3342380	1	VALVE, INTAKE
40	3343656	1	COVER, TIMING BELT FRONT
41	3342382	1	SPROCKET, CAMSHAFT

ENGINE GM 1.6L TIER 2 BREAKDOWN 2 - LPG 3343256 AND GAS 3343324 (CONTINUED)



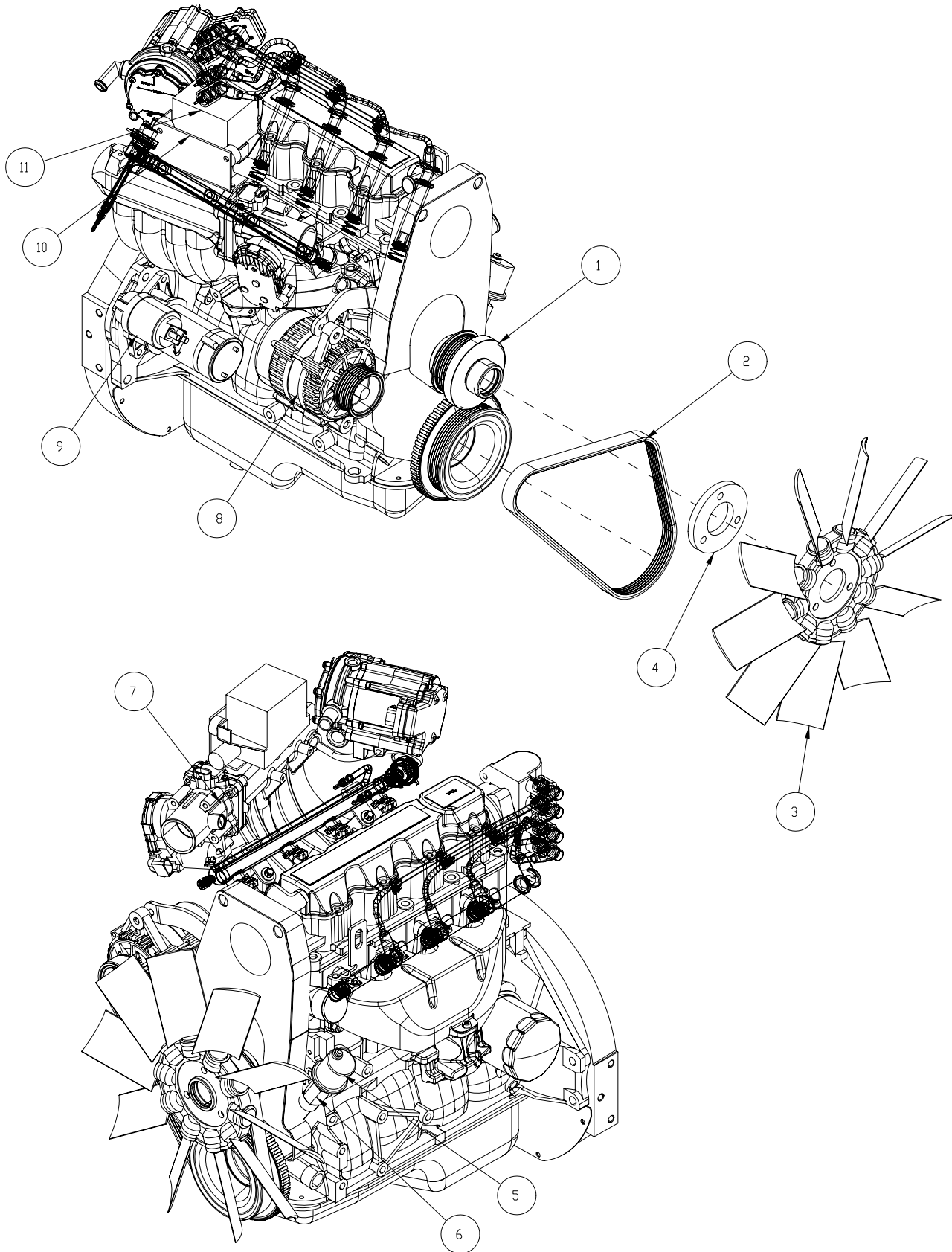
**ENGINE GM 1.6L TIER 2 BREAKDOWN 2 - LPG 3343256 AND GAS 3343324**

ITEM	PART NO.	REQ'D	DESCRIPTION
42	3338706	1	WASHER, CAMSHAFT SPROCKET
43	3338707	1	BOLL, CAMSHAFT SPROCKET
44	3342385	1	BELT, TIMING (111 TEETH)
45	3342389	1	COVER, TIMING BELT FRONT
46	3338708	6	BOLT, ENG FRONT COVER
48	3342386	1	COVER, TIMING BELT FRONT
49	3343650	1	SPROCKET, CRANKSHAFT
50	3338709	1	BOLL, CAMSHAFT SPROCKET
51	3338710	1	TENSIONER, TIMING BELT
52	3338711	4	BOLT, TIMING BELT REAR COVER
55	3338712	2	PIN, CAMSHAFT HOUSING LOCK
56	3338713	1	THERMOSTAT {INCLS: 58}
57	3338714	2	BOLT, GENERATOR FRONT BRACKET
58	N/A	-	PART OF ITEM 56
60	3338716	1	ENGINE
62	3338717	8	NUT, INTAKE MANIFOLD
65	3343657	1	MANIFOLD, EXHAUST
66	3343652	1	GASKET, EXHAUST MANIFOLD
67	3343864	1	SHEILD, EXHAUST MANIFOLD
68	3343654	1	GASKET, INTAKET MANIFOLD
69	3343645	1	INTAKE MANIFOLD
85	3338720	1	RETAINER, SPARK PLUG WIRE HARNESS
86	3338721	1	RETAINER, SPARK PLUG WIRE HARNESS
87	3338722	1	RETAINER, SPARK PLUG WIRE HARNESS
88	3338723	1	BRACKET, SPARK PLUG WIRE RET
89	3338724	1	BRACKET, SPARK PLUG WIRE RET
90	3338725	1	BRACKET, SPARK PLUG WIRE RET
91	3338726	3	BOLT, IGNITION COIL BRACKET
92	3342408	1	COIL, IGNITION
93	3342409	4	SPARK PLUG
94	3342410	1	WIRE, SPARK PLUG CYLINDER #1 (435MM)
95	3342411	1	WIRE, SPARK PLUG CYLINDER #2 (365MM)
96	3342412	1	WIRE, SPARK PLUG CYLINDER #3 (275MM)
97	3342413	1	WIRE, SPARK PLUG CYLINDER #4 (185MM)
98	3338727	3	BOLT, IGNITION COIL BRACKET
100	3338728	2	CLAMP, PEV HOSE
101	3338729	1	HOSE, PEV
102	3338730	1	TUBE, PCV
103	3338731	2	BOLT, PEV TUBE
104	3338732	1	GASKET, PEV TUBE



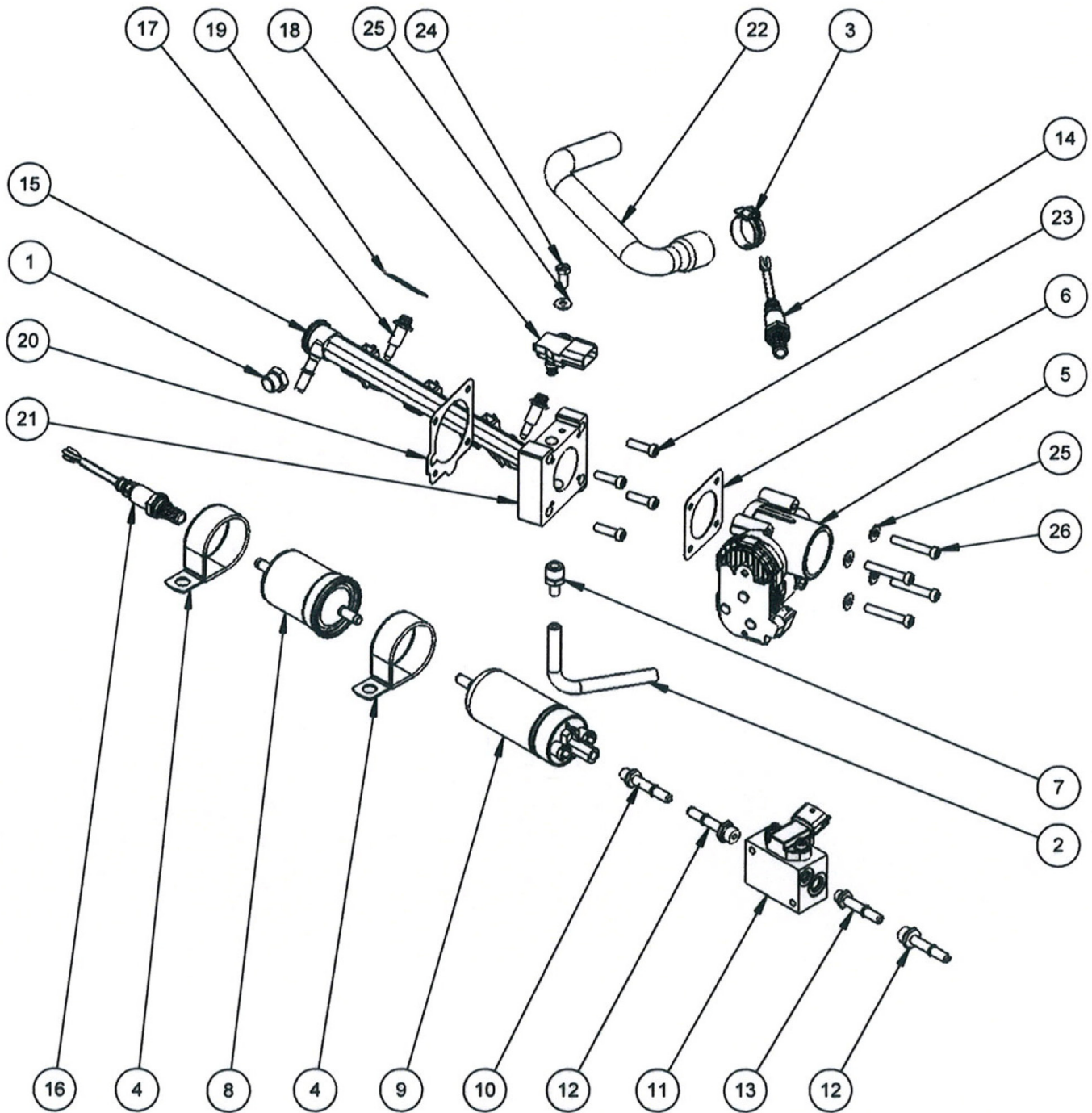
**ENGINE GM 1.6L TIER 2 - FAN, ALTERNATOR, BELT & STARTER LPG 3343256 & GAS 3343324**

NOTE: LPG Engine Shown



<b>ENGINE GM 1.6L TIER 2 - FAN, ALTERNATOR, BELT &amp; STARTER LPG 3343256 &amp; GAS 3343324</b>			
<b>ITEM</b>	<b>PART NO.</b>	<b>REQ'D</b>	<b>DESCRIPTION</b>
1	3343611	1	PULLEY FOR FAN-GM 1.6L
2	3343634	1	BELT-GM 1.6L FAN POLY-6V 39"
3	3342304	1	FAN-PUSHER 16" GM 1.6L
4	3343623	1	SPACER-GM 1.6L FAN PUSHER .85"
5	3341069	1	SENDER-OIL PRESSURE 12V
6	3342078	1	ADAPTER-1.6L GM OIL SENDER
7	3343627	1	THROTTLE BODY-GM 1.6L BOSCH 40 (See Fuel System)
8	3343633	1	ALTERNATOR-GM 1.6L 7SI (DF SUR-BELT)
9	3342333	1	STARTER-(2.041) GM 1.6L Before Engine SN1P6L13151 and Earlier
	3336742	1	STARTER After Engine SN1P6L13151 and Later
10	3343865	1	BRACKET-FUSE BOX, 1.6 TIER 2
11	3343866	1	BOX-FUSE, 1.6 TIER 2

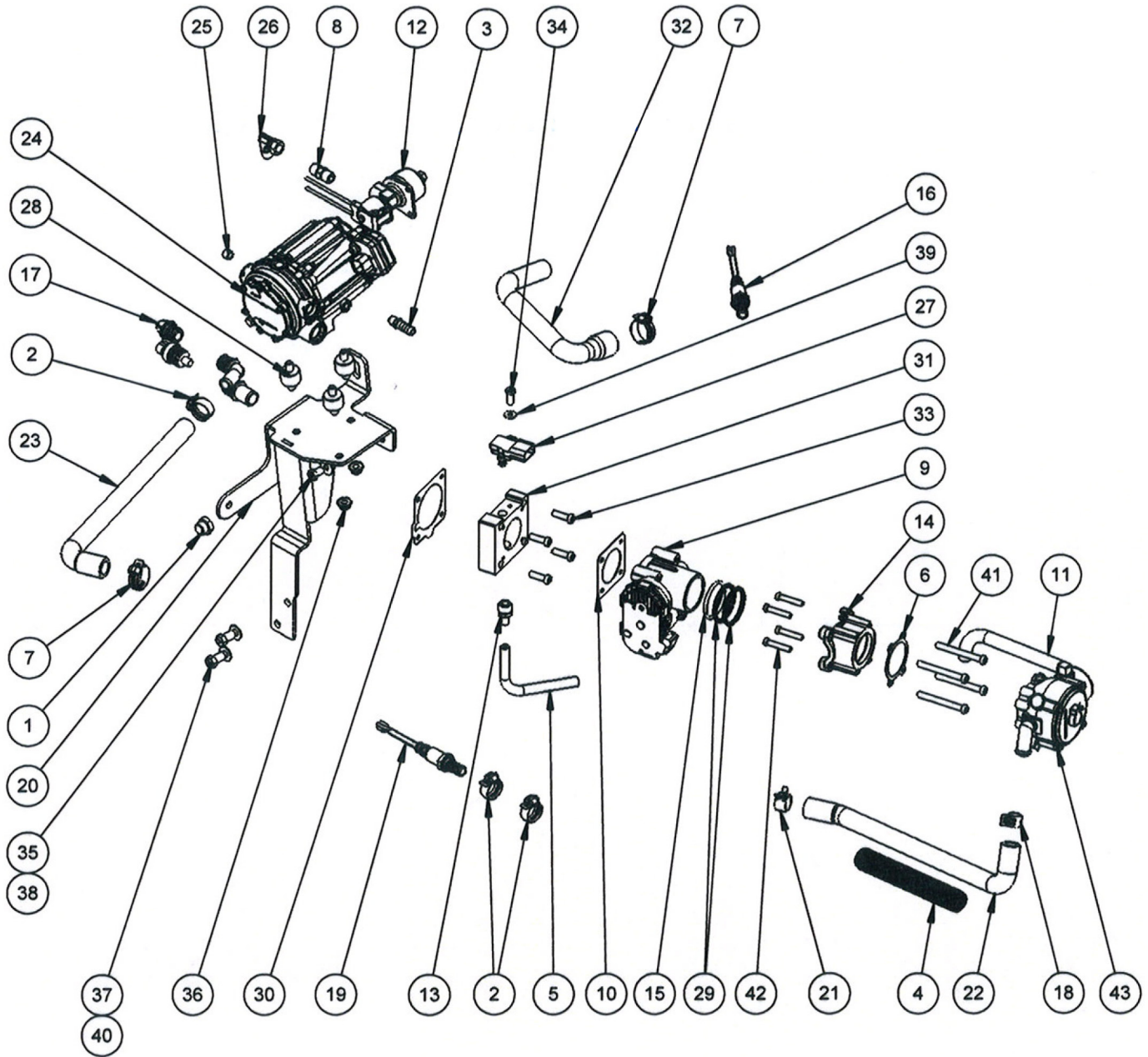
**ENGINE GM 1.6L TIER 2 - FUEL SYSTEM GAS 3343324**





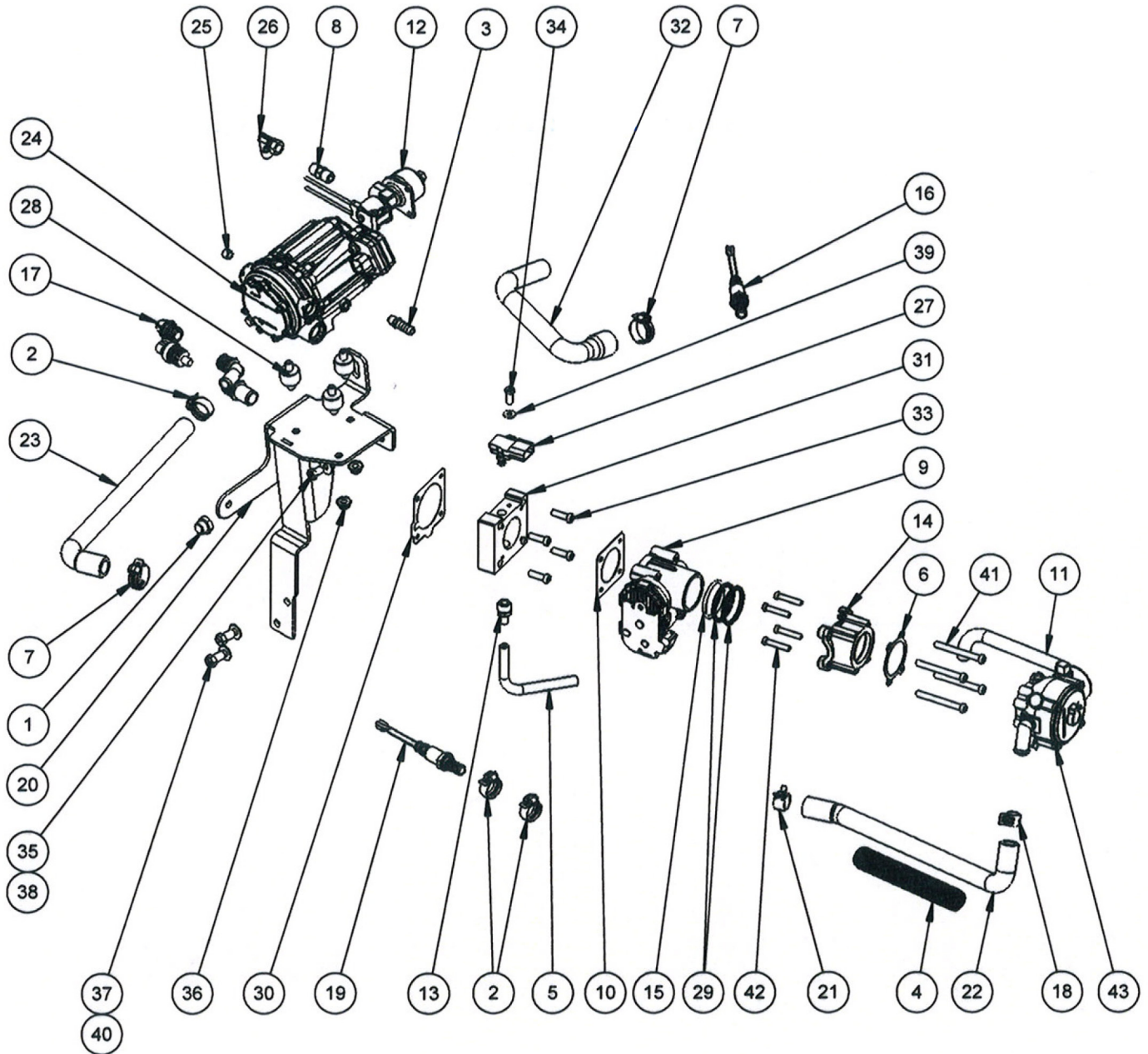
ENGINE GM 1.6L TIER 2 - FUEL SYSTEM GAS 3343324			
ITEM	PART NO.	REQ'D	DESCRIPTION
1	3339821	1	PLUG-M16 INTAKE MANIFOLD GM T2
2	3339825	1	HOSE-VACUUM 7/32" GM T2
3	3339827	1	CLAMP-WORM DRIVE 1/2" WIDTH HOSE CLAMP (SAE 12) 11/16 TO 1-1/4
4	3339828	2	CLAMP-2.25" GM T2
5	3339830	1	THROTTLE BODY-40MM GM T2
6	3339831	1	KET-4 BOLT, TB GM T2
7	3339834	1	FTG-VAC M16-1.5-6H GM T2
8	3342209	1	FUEL FILTER
9	3343536	1	FUEL PUMP
10	3339835	1	FTG-FITTING & KET FOR FUEL PUMP GM T2
11	3339837	1	MANIFOLD-FUEL TEMP/RETURN GM T2
12	3339839	2	FTG-(-6) STOR 5/16 SAE J2044 GM T2
13	3339840	1	FTG-(-3) STOR 5-16 SAE J2044 GM T2
14	3343629	1	SENSOR O2 @ MANIFOLD
15	3339843	1	RAIL-FUEL GM T2
16	3343630	1	SENSOR O2 POST CAT
17	3339849	2	BOLT-ECIAL FUEL RAIL GM T2
18	3339852	1	SENSOR-T MAP GM T2
19	3339855	1	LABEL-UL RECOGNIZED FOR PART 32501263 GM T2
20	3339856	1	KET-INTAKE MANIFOLD/ADAPTER GM T2
21	3339857	1	ADAPTER-INTAKE/THROTTLE BODY GM T2
22	3339858	1	HOSE-BREATHING GM T2
23	3339859	4	BOLT-M6 X 1.0 X 25, SKT HD BOLT, GR 12.9 V GM T2
24	3339860	1	BOLT-1/4-20 X 3/4 HX HD BOLT GR5 GM T2
25	3339865	4	WASHER-1/4 FLAT WASHER (HARDENED) GM T2
26	3339867	4	SCR-M6 X 1.0 X 45 SKT HD GM T2

**ENGINE GM 1.6L TIER 2 - FUEL SYSTEM LPG 3343256**



ENGINE GM 1.6L TIER 2 - FUEL SYSTEM LPG 3343256			
ITEM	PART NO.	REQ'D	DESCRIPTION
1	3339831	1	PLUG-M16 INTAKE MANIFOLD GM T2
2	3339843	3	CLAMP-WORM DRIVE (1/2" WIDTH) HOSE CLAMP (SAE 10) 9/16
3	3339844	1	*INTENTIONAL NUMBER SKIP*
4	3339845	1	LOOM-SPLIT 1" GM T2
5	3339832	1	HOSE-VACUUM 7/32" GM T2
6	3339846	1	GASKET-ADAPTER GM T2
7	3339833	2	CLAMP-WORM DRIVE (1/2" WIDTH) HOSE CLAMP (SAE 12) 11/16
8	3339847	1	NIPPLE-1/4 NPT X 1-3/8 HEX GM T2
9	3339822	1	THROTTLE BODY-40MM GM T2
10	3339834	1	GASKET-4 BOLT, TB GM T2
11	3339848	1	HOSE-FUEL 3/8 DIA. GM T2
12	3339849	1	VALVE-LOCK-OFF GM T2
13	3339835	1	FTG-VAC M16-1.5-6H GM T2
14	3339850	1	ADAPTER- GM T2
15	3339851	1	O-RING-MXR ADPTR 40MM/100 GM T2
16	3343629	1	SENSOR,02 @ MANIFOLD
17	3339852	2	FTG-KIT, EPR GM T2
18	3339853	1	CLAMP-5/8, HOSE (SPRING TYPE) GM T2
19	3343630	1	SENSOR,02 POST CAT
20	3339854	1	BRKT-WELDMENT, REGULATOR MOUNT GM T2
21	3339855	1	CLAMP-3/4, HOSE (SPRING TYPE) GM T2
22	3339856	1	HOSE-MOLDED FUEL GM T2
23	3339857	1	HOSE-MOLDED FUEL GM T2 #2
24	3339858	1	REGULATOR-ELECT PRESS 2007 UL GM T2
25	3339859	1	PLUG-1/8NPT X 3/16 INTERN HEX GM T2
26	3339860	1	FTG-1/4NPT X 1/4-18 CONNECTOR GM T2
27	3339836	1	SENSOR-T MAP GM T2
28	3339861	2	ISOLATOR-EPR GM T2
29	3339862	1	SEAL-QUAD MXR ADPTR 40MM/100 GM T2
30	3339837	1	GASKET-INTAKE MANIFOLD/ADAPTER GM T2

ENGINE GM 1.6L TIER 2 - FUEL SYSTEM LPG 3343256 (CONTINUED)

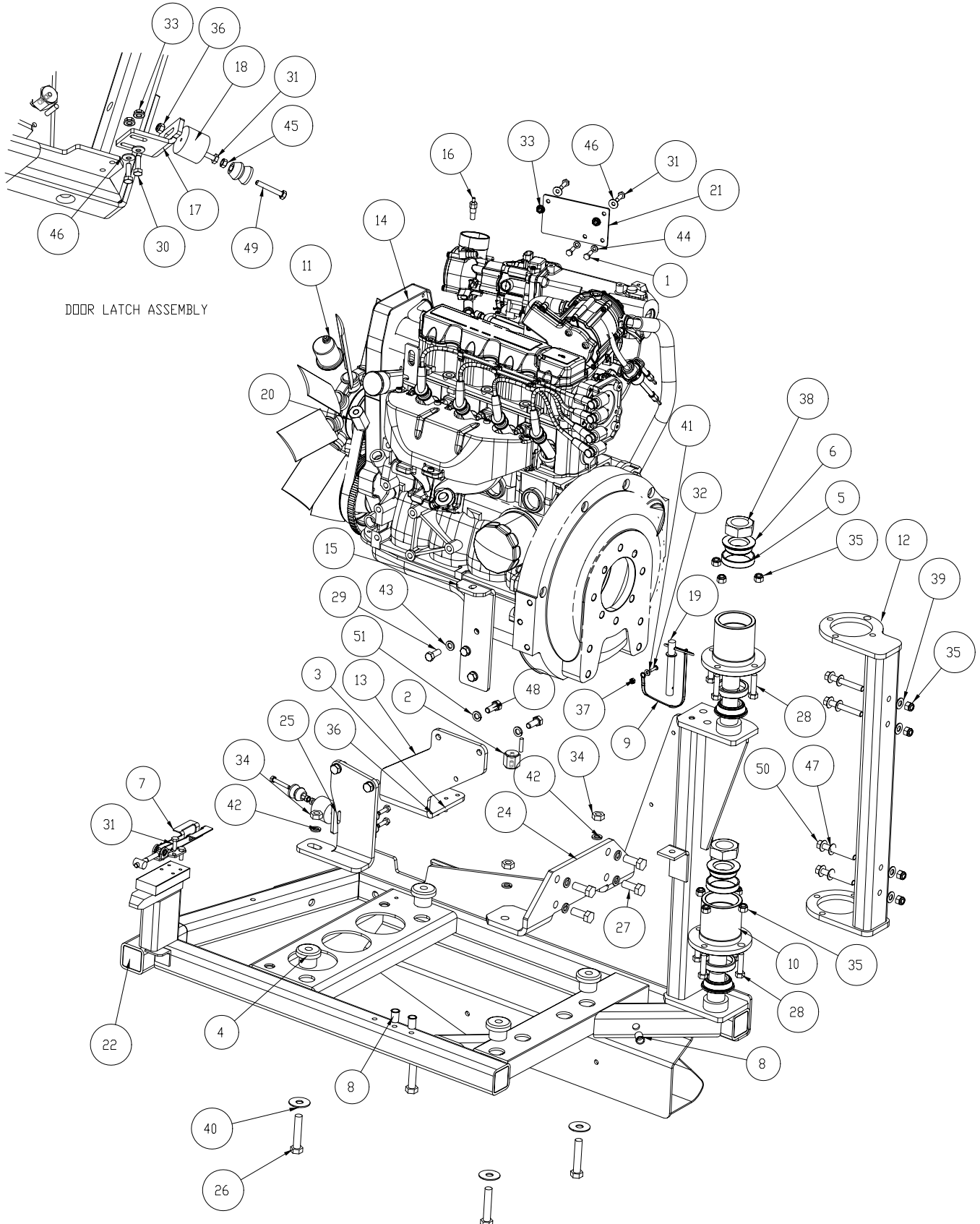


<b>ENGINE GM 1.6L TIER 2 - FUEL SYSTEM LPG 3343256</b>			
<b>ITEM</b>	<b>PART NO.</b>	<b>REQ'D</b>	<b>DESCRIPTION</b>
31	3339838	1	ADAPTER-INTAKE/THROTTLE BODY GM T2
32	3339839	1	HOSE-BREATHING GM T2
33	3339840	4	BOLT-M6 X 1.0 X 25, SKT HD BOLT, GR 12.9 V GM T2
34	3339841	1	BOLT-1/4-20 X 3/4 HX HD BOLT GR5 GM T2
35	3339863	1	BOLT-M8 X 1.25 X 15 HX HD BOLT GR 8.8 GM T2
36	3339864	1	NUT-M8 X 1.25 , HX NUT FLANGED GM T2
37	3339865	1	BOLT-3/8-16 X 3/4 HX HD BOLT, GR 5 GM T2
38	3339866	1	WASHER-5/16 FLAT WASHER (HARDENED) GM T2
39	3339842	1	WASHER-1/4 FLAT WASHER (HARDENED) GM T2
40	3339867	1	WASHER-3/8 FLAT WASHER (HARDENED GRL9)BOLT-M6 X 1/0 X 70
41	3339868	4	BOLT-M6 X 1.0 X 70, SKT HD BOLT GM T2
42	3339869	4	BOLT-M5-0.8 X 35 SKT HD BOLT GM T2
43	3339870	1	MIXER-CERTIFIED GM T2



**ENGINE MOUNT AND SWING FRAME, GM1.6L LPG - 3342801, REVISION C**

**NOTE: For machines before SN 757420 7 0193 4 or SN 16904077**

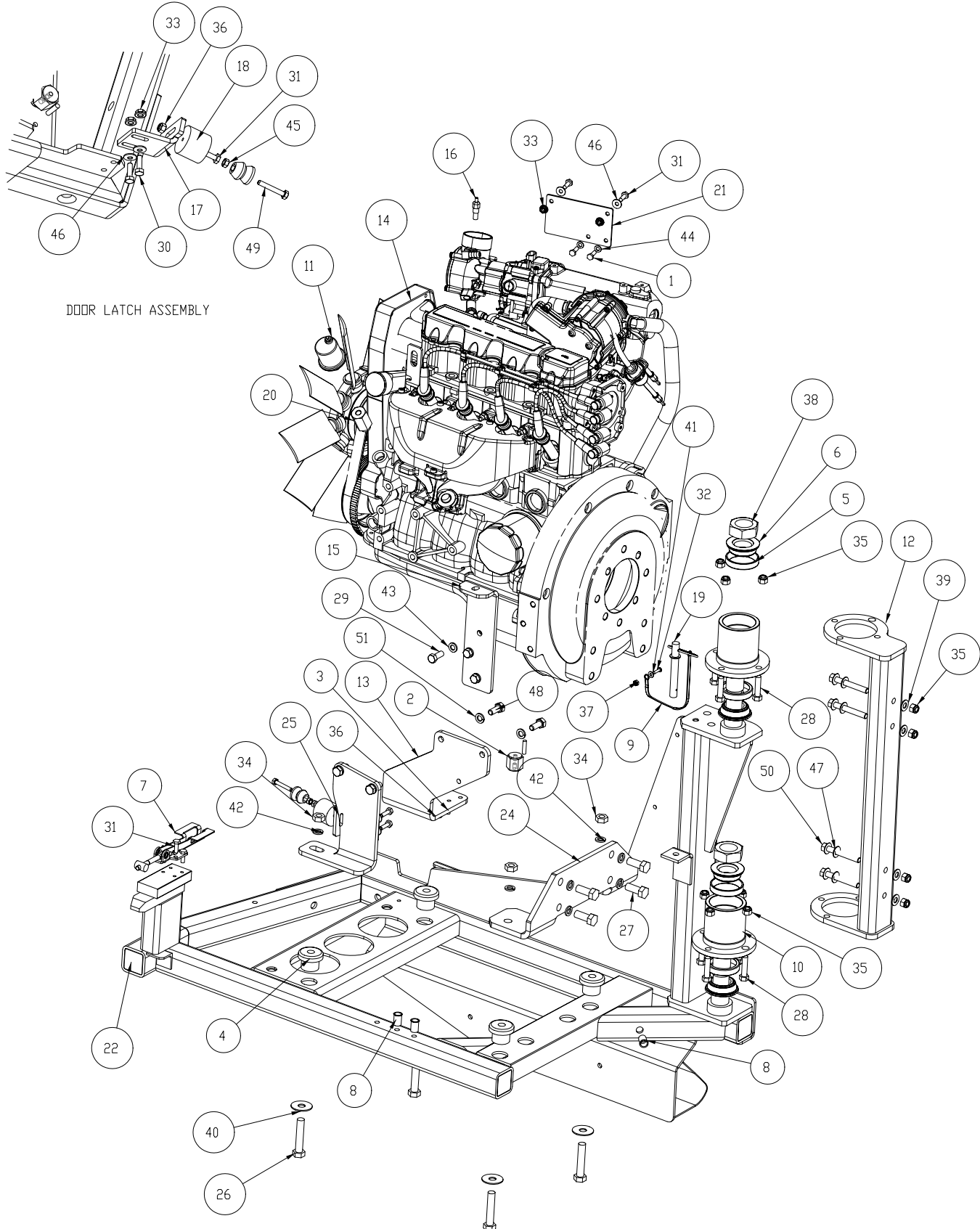


DOOR LATCH ASSEMBLY

ENGINE MOUNT AND SWING FRAME, GM1.6L LPG - 3342801, REVISION C			
ITEM	PART NO.	REQ'D	DESCRIPTION
1	717022	2	BOLT-HH M6X1.0 X 20
2	740132	1	INSULATOR, PLASTIC
3	833638	2	BRASS STUD
4	3300464	4	MOUNT-ISOLATION
5	3300470	4	BEARING-TAPERED ROL CUP
6	3300471	4	BEARING-TAPERED ROLCONE W/SEAL
7	3307377	1	LATCH-ENGINE SW/A
8	3322187	3	INSERT 5/16-18 X .31 LG ZP
9	3334364	1	CHAIN-ENG LOCKING PIN 5550
10	3341041	2	BRG MNT B - SWG FR
11	3341069	1	SENDER-OIL PRESSURE
12	3341364	1	WELD - MNT SWING FR
13	3341579	1	RH ENGINE MNT-GM 1.6
14	3341649	1	ENGINE-GM1.6L LP 5550/1800
15	3341729	1	MOUNT-RESERVOIR ENGINE
16	3341806	1	SENDER-TEMPERATURE 1/8 NPT
17	3342038	1	PLATE-DOOR STOP
18	3342039	1	SOCKET ASSY - DOOR STOP
19	3342040	1	PIN-QUICK RELEASE 1/2 X 2 1/2
20	3342078	1	ADAPTER-1.6L GM OIL SENDER
21	3342087	1	PLATE-5550 FUSE BLOCK MOUNT
22	3342218	1	WELD-SWING FRAME
23	3342286	1	WELD-RAD SHROUD GM1.6L
24	3342682	1	REAR ENGINE MNT-GM 1.6 L
25	3342911	1	PLT-LH FORWARD ENG MNT
26	3400019	4	SCR-HEX 1/2-13 X 2.50 ZP
27	3400022	4	SCR-HEX 1/2-13 X 1.25 ZP
28	3400028	7	SCR-HEX 3/8 -16X1.50 ZP
29	3400030	3	SCREW-HHM 3/8-16 X 1.0 LG ZP
30	3400041	2	SCREW-HHM 1/4-20 X .875 LG ZP
31	3400042	7	SCR-HEX 1/4-20X.75 ZP
32	3400045	1	SCR-8-32 X 5/8 PAN HD SLT ZP
33	3400063	4	NUT-FLANGE LOCK 1/4-20 ZP
34	3400065	4	NUT-HEX 1/2-13 ZP
<b>NOTE: For machines before SN 757420 7 0193 4 or SN 16904077</b>			

**ENGINE MOUNT AND SWING FRAME, GM1.6L LPG - 3342801, REVISION C**

**NOTE: For machines before SN 757420 7 0193 4 or SN 16904077**

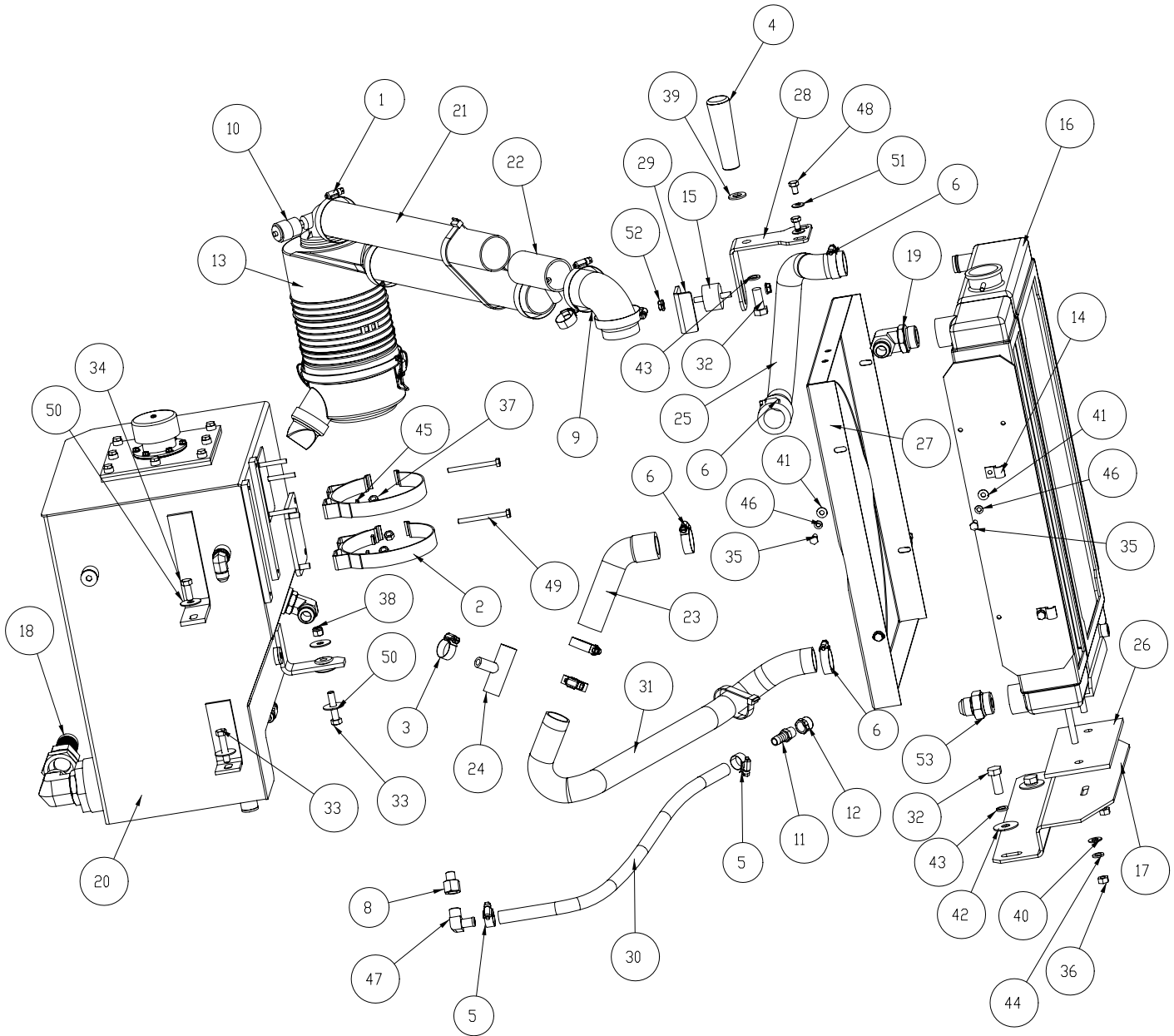




<b>ENGINE MOUNT AND SWING FRAME, GM1.6L LPG - 3342801, REVISION C</b>			
<b>ITEM</b>	<b>PART NO.</b>	<b>REQ'D</b>	<b>DESCRIPTION</b>
35	3400079	11	NUT-HEX 3/8-16 ES ZP
36	3400081	2	NUT-HEX 1/4-20 ES ZP
37	3400082	1	NUT-HEX # 8-32 ES ZP
38	3400083	2	NUT-HEX 1 1/4-12 ES ZP
39	3400087	4	WASHER 3/8 ID .81 OD X .065 THK
40	3400091	4	WASHER-FENDER 1/2 ZP
41	3400096	1	WASHER-FLAT #8 ZP
42	3400098	8	WASHER-LOCK 1/2 SPLIT ZP
43	3400101	3	WASHER-LOCK 3/8 SPLIT ZP
44	3400103	2	WASHER-LOCK 1/4 SPLIT ZP
45	3400216	1	NUT-HEX 6MMX1.00P BLUE CH PLT
46	3400383	4	WASHER CONICAL SPRING 1/4
47	3400385	4	WASHER CONICAL SPRING 3/8
48	3400625	4	SCR-HHM 10MM X 1.5 X 25MM
49	3401062	1	SCR-HHM 6MM X 1.0 X 40MM
50	3401154	4	3/8-16X2.75 YZ 8 HCS
51	3401458	4	10 MM L/W ZP
<b>NOTE: For machines before SN 757420 7 0193 4 or SN 16904077</b>			

**ENGINE RESERVOIR, COOLER AND AIR CLEANER GM1.6L LPG - 3342801, REVISION C**

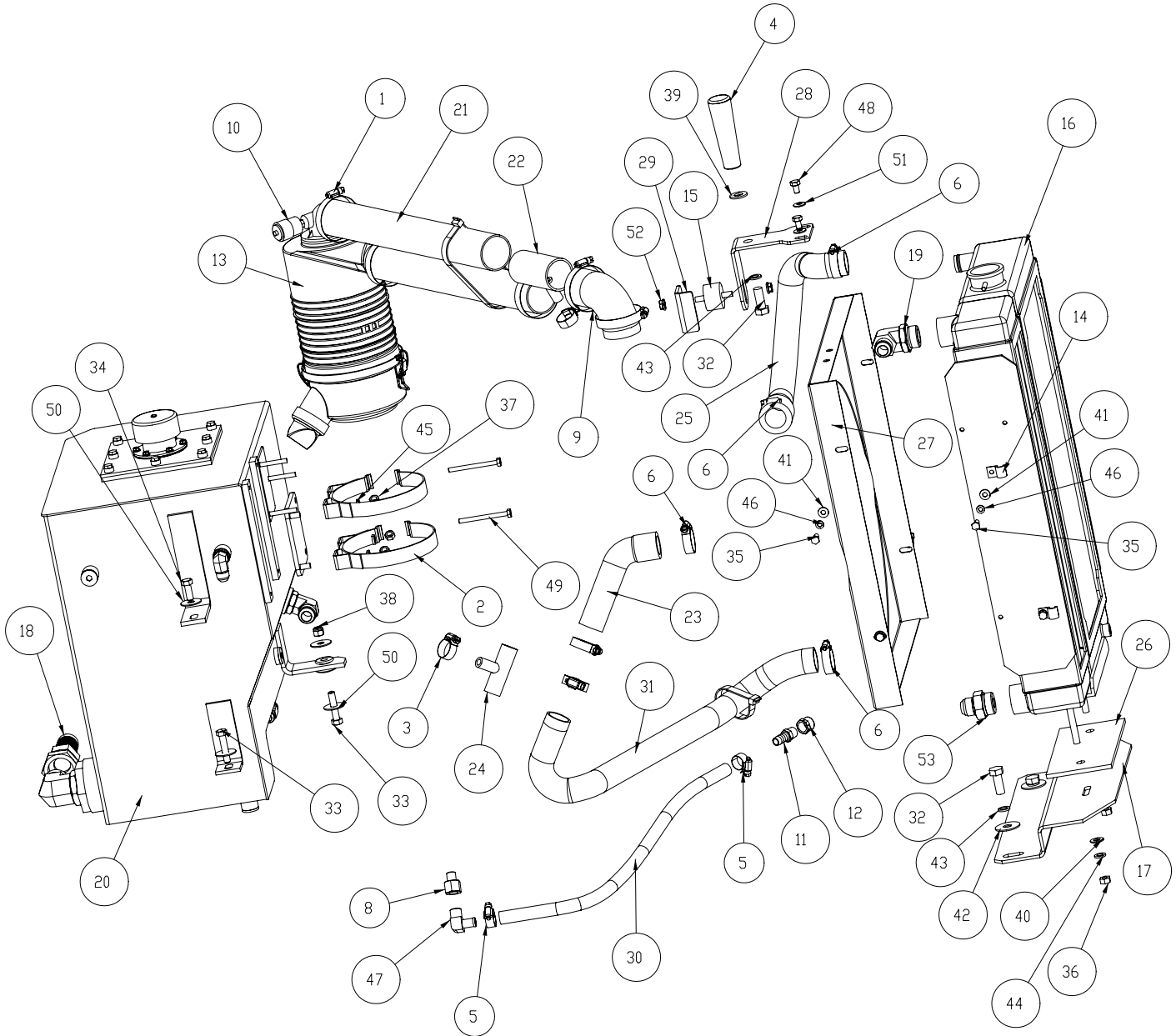
**NOTE: For machines before SN 757420 7 0193 4 or SN 16904077**



<b>ENGINE RESERVOIR, COOLER AND AIR CLEANER GM1.6L LPG - 3342801, REVISION C</b>			
<b>ITEM</b>	<b>PART NO.</b>	<b>REQ'D</b>	<b>DESCRIPTION</b>
1	3300336	5	CLAMP-HOSE 2.5 SS
2	3300459	2	BAND-MTG AIR CLEANER PNTD BLAC
3	3300535	2	CLAMP-HOSE 1/2
4	3300558	1	KNOB-TAPERED #145 BLACK
5	3302144	2	CLAMP-HOSE 1/2
6	3302193	6	CLAMP-HOSE 1.25 NOM
7	3302493	2	TIE-WIRE, 8 LG
8	3303302	1	FTG-REDUCER 3/8 FPT X 1/4 MPT
9	3303385	1	ADAPTER-90 ELL RUBBER 3.50X2.5
10	3303991	1	INDICATOR-AIR CLEANER
11	3307829	1	FTG-HOSE BARB 1/2 X 3/8 MPT
12	3307830	1	FTG-CAP 3/8 FPT
13	3317917	1	AIR CLEANER ASSY-5" RADIAL SEAL
14	3332271	2	3/8 HALF CLAMP INSULATED
15	3334426	1	ISOLATOR-RAD MOUNT 5/16-18
16	3336103	1	RADIATOR - OIL COOLER COMBO
17	3341581	1	MOUNT-RADIATOR GM 1.6
18	3341642	1	FTG-#20 JIC TO 1.25 BARB
19	3341644	1	FTG-90 #16 O-RING TO #12 JIC
20	3341675	1	SUB-HYD RESERVOIR ASSY 5550
21	3341789	2	HOSE-AIR CLEANER 5550
22	3341790	1	WELD-2.0" AIR CLEANER T 5550
23	3341793	1	HOSE-RADIATOR BTM SHORT 5550
24	3341794	1	WELD-TEE, LOWER RADIATOR HOSE T 555
25	3341795	1	HOSE RADIATOR TOP
26	3341811	1	PAD-RADIATOR MOUNT 5550
27	3342286	1	WELD-RAD SHROUD GM1.6L
28	3342544	1	BRKT-RAD SUPPORT UPPER GM1.6
29	3342545	1	BRKT-RAD SUPPORT LOWER GM1.6
30	3343108	1	HOSE-1/2 ID X 20 EEC-PCV
31	3343163	1	HOSE-RADIATOR BTM LONG
32	3400022	3	SCR-HEX 1/2-13 X 1.25 ZP
33	3400027	2	SCREW-HHM 3/8-16 X 1.75 LG ZP
34	3400030	1	SCREW-HHM 3/8-16 X 1.0 LG ZP
<b>NOTE:For machines before SN 757420 7 0193 4 or SN 16904077</b>			

**ENGINE RESERVOIR, COOLER AND AIR CLEANER GM1.6L LPG - 3342801, REVISION C**

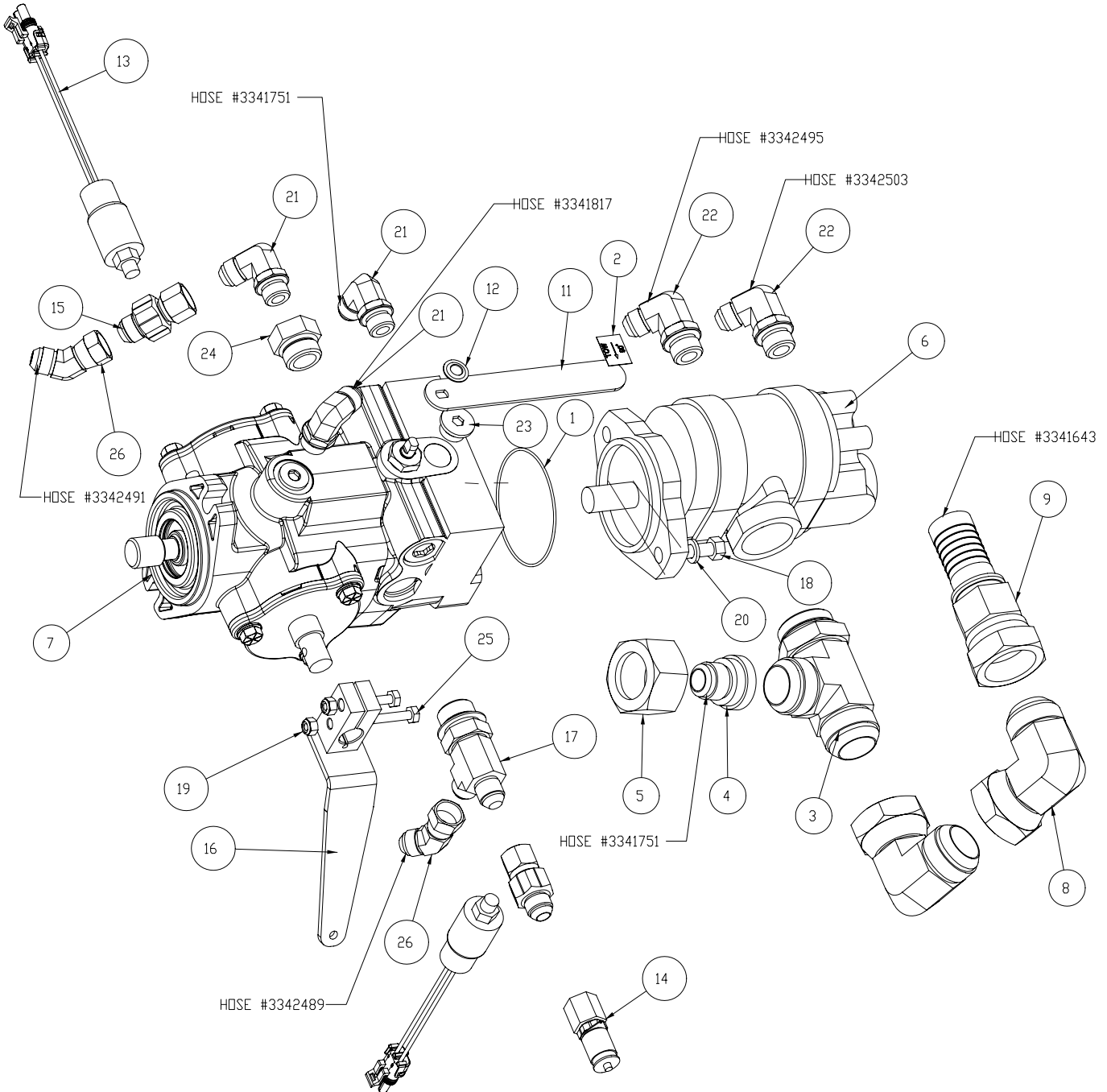
**NOTE: For machines before SN 757420 7 0193 4 or SN 16904077**



<b>ENGINE RESERVOIR, COOLER AND AIR CLEANER GM1.6L LPG - 3342801, REVISION C</b>			
<b>ITEM</b>	<b>PART NO.</b>	<b>REQ'D</b>	<b>DESCRIPTION</b>
35	3400042	6	SCR-HEX 1/4-20X.75 ZP
36	3400068	2	NUT-HEX 3/8-16 ZP
37	3400070	4	NUT-HEX 5/16-18 ZP
38	3400079	1	NUT-HEX 3/8-16 ES ZP
39	3400086	1	WASHER-FLAT 1/2 STANDARD ZP
40	3400087	2	WASHER 3/8 ID .81 OD X .065 THK
41	3400089	6	WASHER 1/4 ID .63 OD X .065 THK
42	3400091	2	WASHER-FENDER 1/2 ZP
43	3400098	3	WSR-LOCK 1/2, ZP
44	3400101	2	WASHER-LOCK 3/8 SPLIT ZP
45	3400102	4	WSR-LOCK 5/16, ZP
46	3400103	6	WASHER-LOCK 1/4 SPLIT ZP
47	3400190	1	FTG-90 ELL 1/2 TUBE TO 3/8 MPT
48	3400207	2	BLT-HH 5/16-18 X 1/2 ZP
49	3400252	2	SCR-HEX, 1/4-20X3.0 ZP
50	3400278	4	WASHER-FENDER 3/8 ZP
51	3400384	2	WASHER CONICAL SPRING 5/16
52	3400390	2	NUT-FLANGE LOCK 5/16-18
53	3402003	1	FTG-ADAPTER STRAIGHT 12MJIC X 16MORB
<b>NOTE:For machines before SN 757420 7 0193 4 or SN 16904077</b>			

**ENGINE PUMPS AND FITTINGS GM1.6L LPG - 3342801, REVISION C**

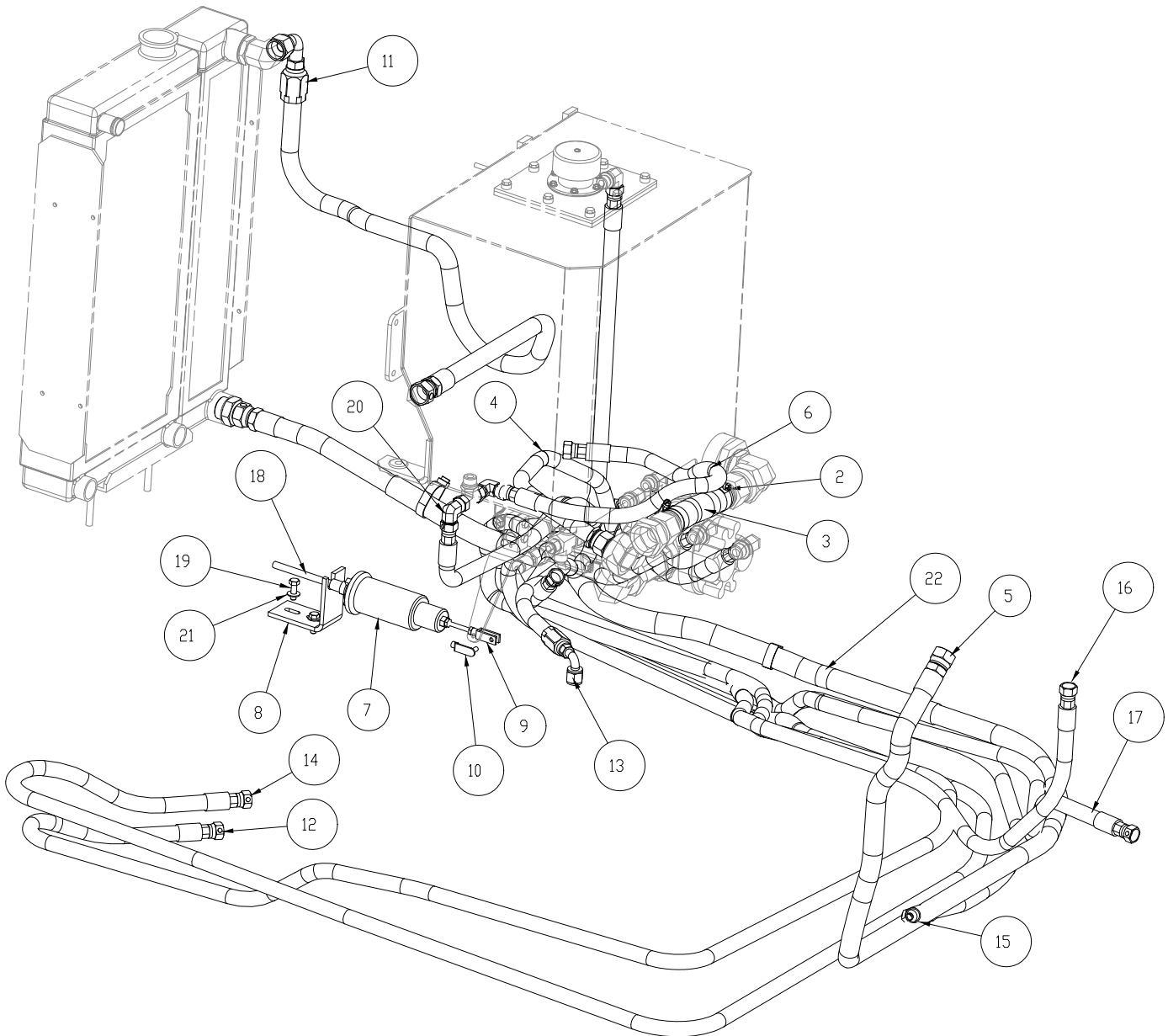
**NOTE: For machines before SN 757420 7 0193 4 or SN 16904077**



ENGINE PUMPS AND FITTINGS GM1.6L LPG - 3342801, REVISION C			
ITEM	PART NO.	REQ'D	DESCRIPTION
1	3303711	1	O-RING STATIC SEAL 3.239 ID
2	3334785	1	DECAL- TOW VALVE
3	3341120	1	FTG-TEE 1-5/8-12 TO #20
4	3341121	1	FTG-REDUCER #20 TO #12
5	3341122	1	NUT-REDUCER 3 PIECE #20
6	3341146	1	PUMP-GEAR, .84 CI/R, .66 CI/R
7	3341149	1	PUMP-HYD VAR DISP 5550
8	3341641	2	FTG-SWIVEL 90 ELBOW #20 JIC
9	3341642	1	FTG-#20 JIC TO 1.25 BARB
10	3341794	1	WELD-TEE, LOWER RADIATOR HOSE T 555
11	3342055	1	HANDLE-TOW VALVE
12	3342058	1	NUT-3/8 PUSH
13	3342199	2	SWITCH-PRESSURE 550 PSI (FWD/R
14	3342203	1	COUPLING-TEST 8F JIC SWIVEL
15	3342204	2	FTG-GAUGE PORT -8 JIC
16	3342565	1	WELD-LEVER VAR PUMP 5550
17	3342826	1	FTG-TEE #8 3/4-16 TO #12 1 1/1
18	3400029	2	SCR-HEX 3/8 -16X1.25 ZP
19	3400081	2	NUT-HEX 1/4-20 ES ZP
20	3400101	2	WASHER-LOCK 3/8 SPLIT ZP
21	3400154	3	FTG-90 EL 3/4-16 MORB X -8JIC
22	3400155	2	FTG-90 EL 8JIC X 10MORB
23	3400164	1	FTG-PLUG 3/4-16 O-RING
24	3400167	1	FTG-12MORB X 8FORB
25	3400227	2	SCREW-HHM 1/4-20 X 1.25 LG ZP
26	3400249	2	FTG-SWIVEL 45 EL #8 JIC
<b>NOTE: For machines before SN 757420 7 0193 4 or SN 16904077</b>			

**ENGINE HOSE ROUTING GM1.6L LPG - 3342801, REVISION C**

**NOTE:** For machines before SN 757420 7 0193 4 or SN 16904077



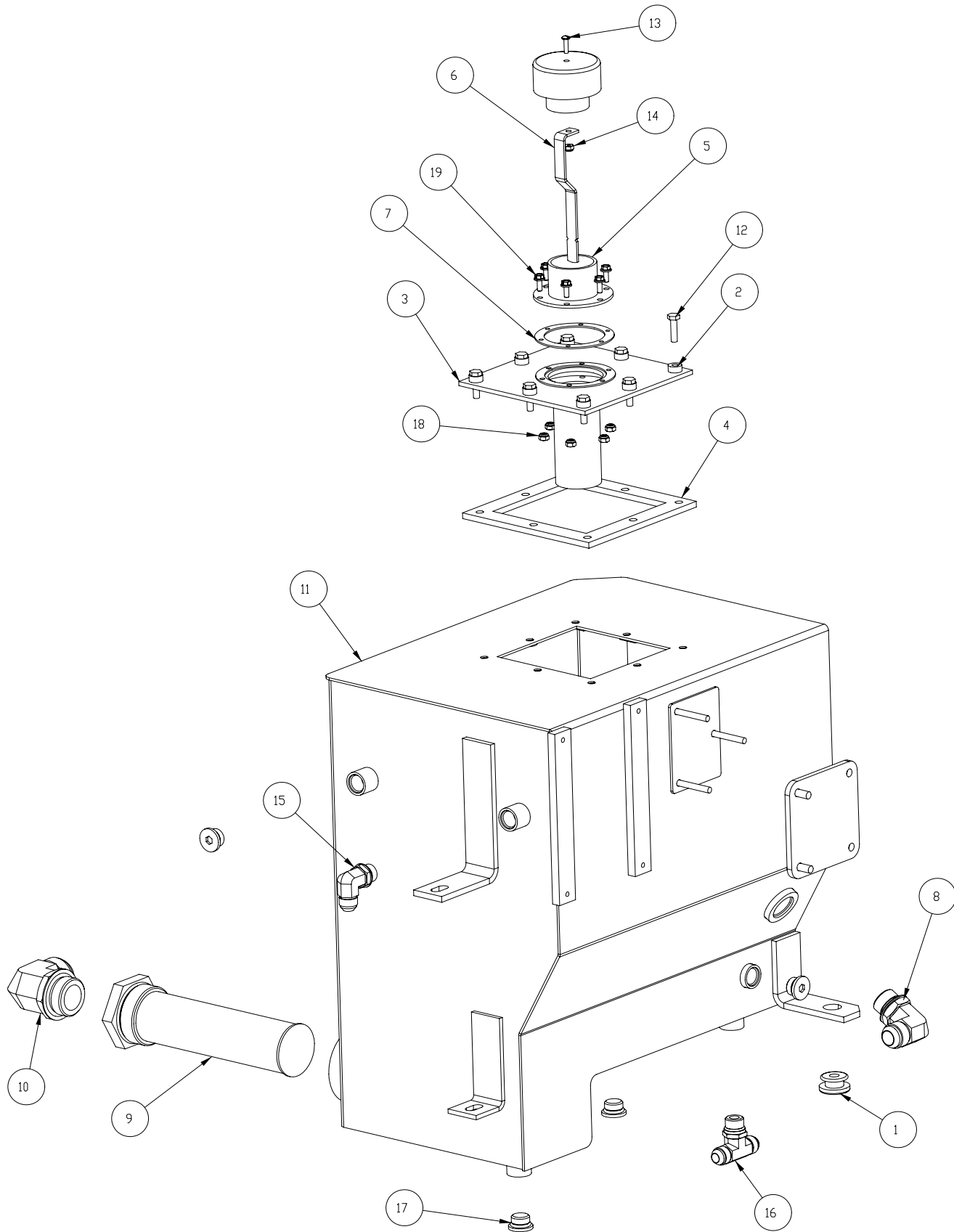


**ENGINE HOSE ROUTING GM1.6L LPG - 3342801, REVISION C**

ITEM	PART NO.	REQ'D	DESCRIPTION
1	3302493	2	TIE-WIRE, 8 LG
2	3303255	2	CLAMP-HOSE 1 3/4 NOM.
3	3341643	1	HOSE-HYD SUCTION 1.25 X 6.00
4	3341751	1	HOSE- .50 AR 24.0 ST #8 ST #12
5	3341813	1	HOSE-.75 AR 122.0 ST #12 ST#12
6	3341817	1	HOSE- .50 AR 25.0 ST #8 ST #8
7	3341959	1	CENTERING SPRING-HYDROBACK
8	3341960	1	BRACKET-FWD/REV MNT 5550
9	3341971	1	CLEVIS-1/4-28
10	3341972	1	SPRING PIN-1/4-28 CLEVIS
11	3342488	1	HOSE- .75 AR 45.0 ST #12
12	3342489	1	HOSE- .50 AR 150.75 ST #8
13	3342490	1	HOSE- .50 AR 44" W/C ST #
14	3342491	1	HOSE- .50 AR 138.5 ST #8
15	3342495	1	HOSE- .50 AR 89.0 ST #8
16	3342502	1	HOSE- .50 AR 93 ST #8 ST #8
17	3342503	1	HOSE- .50 AR 93 ST #8 ST #8
18	3342574	1	CABLE-ASSEMBLY FWD/REV
19	3400035	2	SCR-HEX 5/16-18X1.00 ZP
20	3400244	2	FTG-90 SWIVEL 8JIC
21	3400384	2	WASHER CONICAL SPRING 5/16
22	3500330	1	SLEEVE-HOSE NYLON 1"
23	3334785	1	DECAL- TOW VALVE (NOT SHOWN)

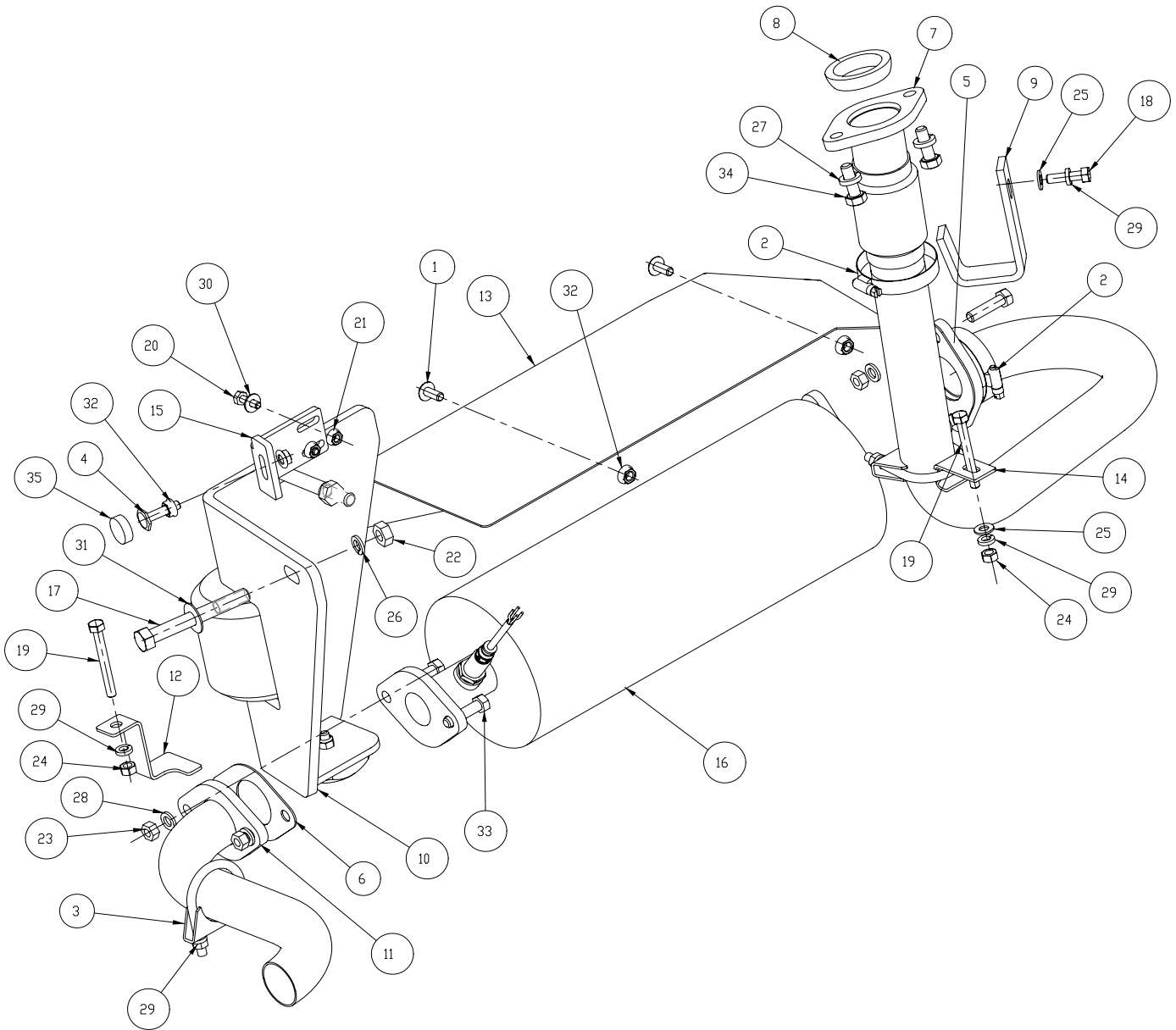
**NOTE: For machines before SN 757420 7 0193 4 or SN 16904077**

**RESERVOIR, HYDRAULIC ASSEMBLY - 3341675, REVISION A**



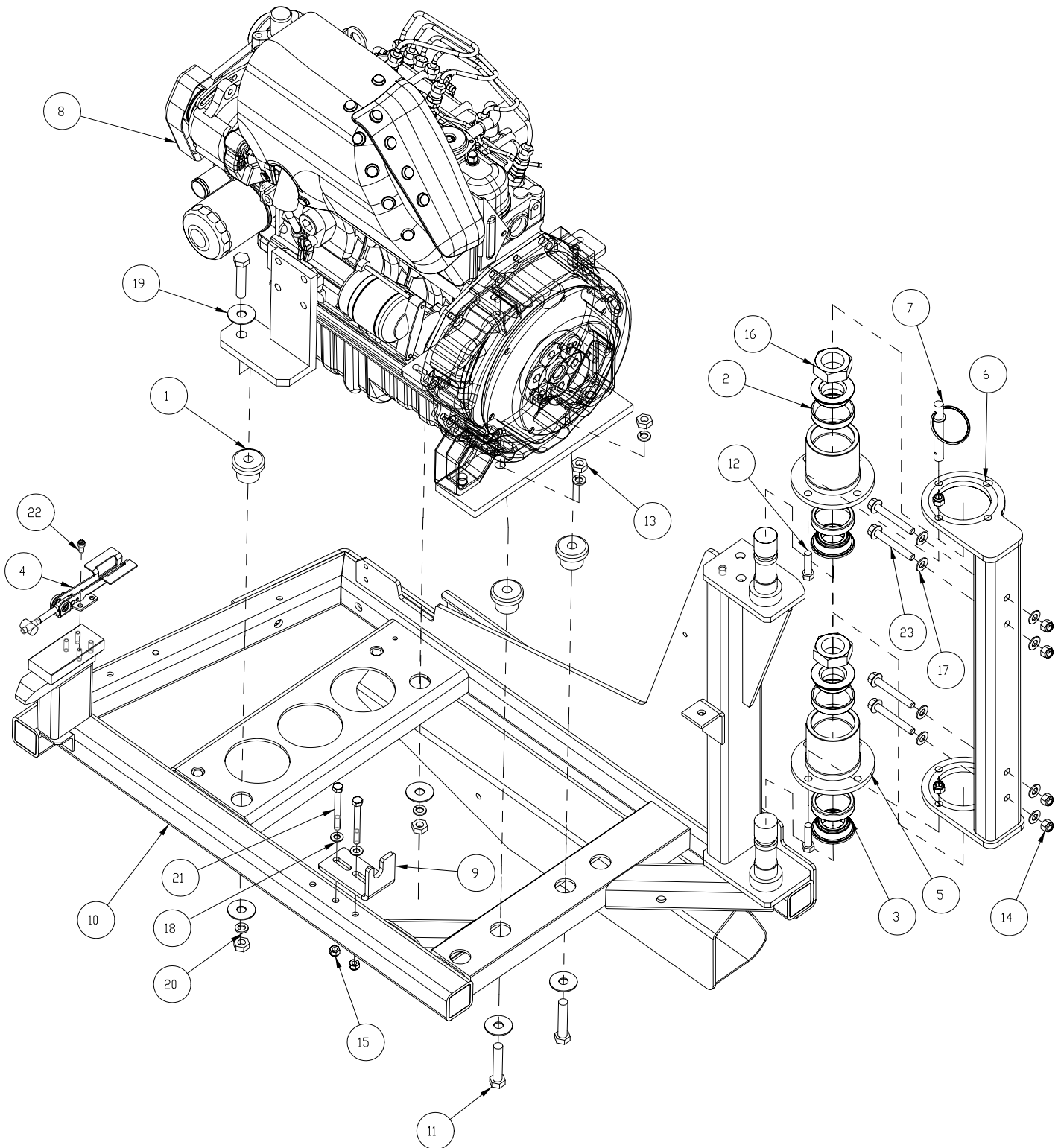
RESERVOIR, HYDRAULIC ASSEMBLY - 3341675, REVISION A			
ITEM	PART NO.	REQ'D	DESCRIPTION
1	3300465	1	MOUNT-ISO IMP MNT
2	3302249	8	SPACER-NYLON .56 ODXX 0.25ID
3	3302372	1	COVER-HYD RES
4	3302995	1	GASKET-HYD RES
5	3305576	1	FILTER/BREATHER ASSY FLOW-EZY
6	3312273	1	DIPSTICK-HYD RES
7	3334627	1	GASKET-RESERVOIR FILL CAP
8	3338184	1	FTG-90 ELBOW 12MORB X 12MJIC
9	3341043	1	STRAINER-HYD RES 100 MESH
10	3341126	1	FTG-90 ELBOW 20MORB X 20MJIC
11	3341720	1	WELD-RESERVOIR 5550
12	3400040	8	SCR-HEX 1/4-20X1.00Z P
13	3400045	1	SCR-8-32 X 5/8 PAN HD SLT ZP
14	3400082	1	NUT-HEX # 8-32 ES ZP
15	3400154	1	FTG-90 EL 3/4-16 MORB X -8JIC
16	3400161	1	FTG-TEE 3/4-16 MORB X -8JIC
17	3400164	4	FTG-PLUG 3/4-16 O-RING
18	3400172	6	NUT-HEX JAM 10-32 ES ZP
19	3400315	6	SCR-HEX 10-32 X 1/2 ZP

**ENGINE EXHAUST SYSTEM GM1.6L TIER 2 - 3343335, REVISION A**



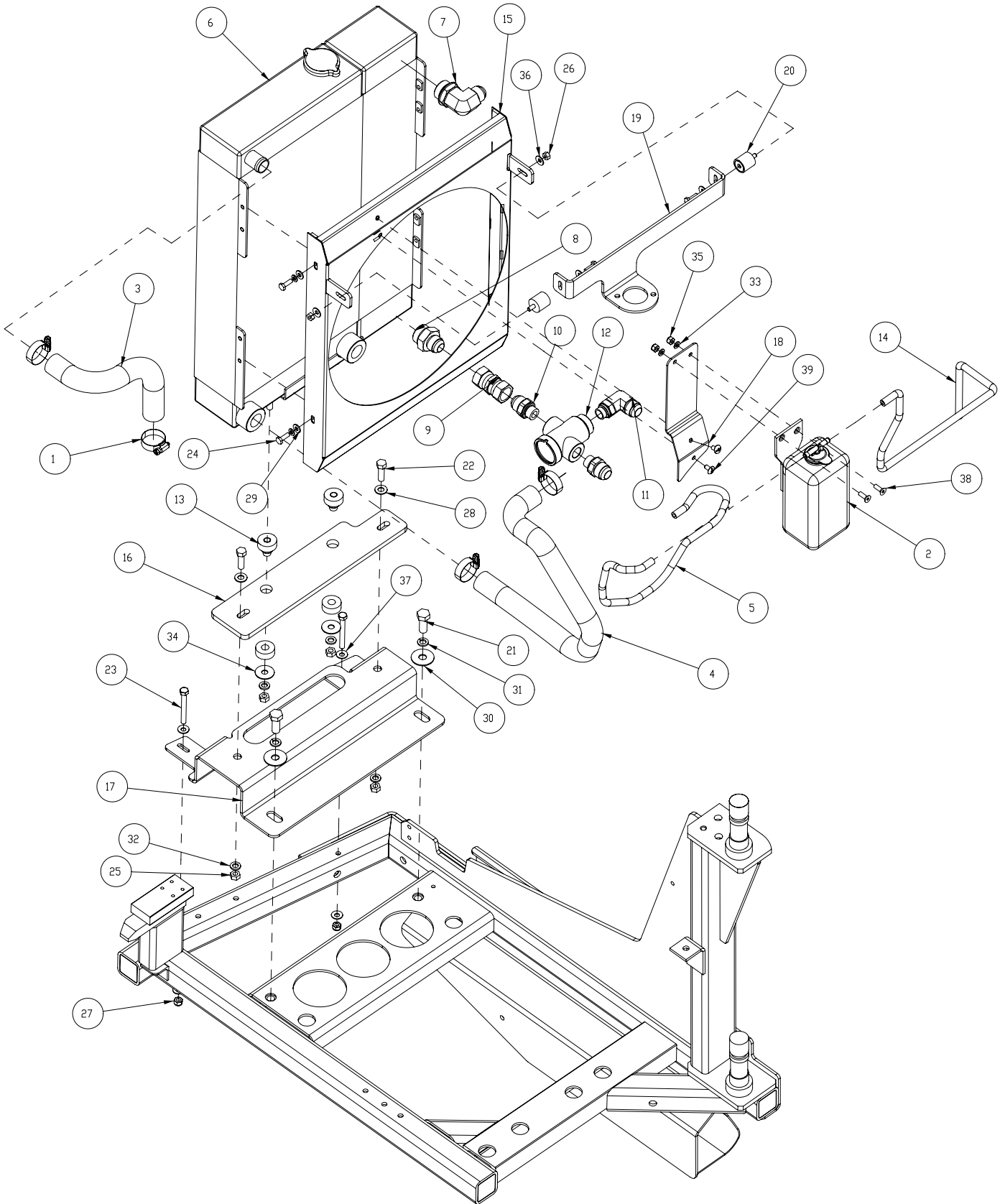
ENGINE EXHAUST SYSTEM GM1.6L TIER 2 - 3343335, REVISION A			
ITEM	PART NO.	REQ'D	DESCRIPTION
1	710197	2	SCREW TRUSS HEAD 5/16-18 X .75 PH ZP
2	3300336	2	CLAMP-HOSE 2.5 SS
3	3301640	2	CLAMP-EXHAUST 1 3/4
4	3307639	1	LEVELER-5/16-18X1.5", 1" DIA,
5	3312281	1	EXHAUST-WRAP 1/16 X 4 X 24, 1800 TIER 2
6	3333656	2	GASKET-EXHAUST
7	3342786	1	WELD-HEADER PIPE GM1.6L, 1800
8	3343069	1	GASKET, EXHAUST RING
9	3343117	1	BRACKET-HOSE RETAINER 5550/1800
10	3343285	1	SUB-BUMPER, LH REAR 5550/1800
11	3343334	1	WELD-TAIL PIPE, 1800
12	3343357	1	BRKT-TAIL PIPE
13	3343359	1	SHIELD - EXHAUST 1800/5550 TIER 2
14	3343513	1	BRACKET-HEADER PIPE
15	3343537	1	PLATE-DOOR STOP
16	3350056	1	MUFFLER-GM 1.6 L TIER 2, CAT
17	3400018	2	SCR-HEX,1/2-13 X 4.0 ZP
18	3400034	1	SCR-HEX,5/16-18X1.25 ZP
19	3400037	2	SCREW-HHM 5/16-18 X 2.75 LG ZP
20	3400041	2	SCREW-HHM 1/4-20 X .875 LG ZP
21	3400063	2	NUT-FLANGE LOCK 1/4-20 ZP
22	3400065	2	NUT-HEX 1/2-13 ZP
23	3400068	4	NUT-HEX 3/8-16 ZP
24	3400070	2	NUT-HEX 5/16-18 ZP
25	3400088	2	WASHER 5/16 ID .688 OD X .065 THK
26	3400098	2	WSR-LOCK 1/2, ZP
27	3400099	2	WSR-LOCK 7/16, ZP
28	3400101	4	WASHER-LOCK 3/8 SPLIT ZP
29	3400102	7	WSR-LOCK 5/16, ZP
30	3400383	2	WASHER CONICAL SPRING 1/4
31	3400387	2	WASHER-CONICAL SPRING 1/2
32	3400390	4	NUT-FLANGE LOCK 5/16-18
33	3400455	4	SCREW-HHM 3/8-16 X 1.5 LG SS
34	3401051	2	SCR-HHM 10MM X 1.5 X 30MM
35	3401076	1	CAP-RUBBER, ADJ SCR

**ENGINE MOUNT & SWING FRAME, KUBOTA V1505 - DIESEL 3342163 REV H**



<b>ENGINE MOUNT &amp; SWING FRAME, KUBOTA V1505 - DIESEL 3342163 REV H</b>			
<b>ITEM</b>	<b>PART NO.</b>	<b>REQ'D</b>	<b>DESCRIPTION</b>
1	3300464	4	ISOLATOR - RUBBER, 1.24
2	3300470	4	BEARING-TAPERED ROL CUP
3	3300471	4	BEARING-TAPERED ROLCONE
4	3307377	1	LATCH-ENGINE SW/A
5	3341041	2	BRG MNT B - SWG FR
6	3341364	1	WELD - MNT SWING FR
7	3342040	1	PIN-QUICK RELEASE 1/2 X
8	3342173	1	ENG - KUBOTA DSL, V1505
9	3343292	1	BRACKET-FWD/REV MNT 555
10	3343414	1	WELD-SWING FRAME
11	3400019	4	SCR-HEX 1/2-13 X 2.50 Z
12	3400028	2	SCR-HEX 3/8 -16X1.50 ZP
13	3400065	4	NUT-HEX 1/2-13 ZP
14	3400079	6	NUT-HEX 3/8-16 ES ZP
15	3400080	2	NUT-HEX 5/16-18 ES ZP
16	3400083	2	NUT-HEX 1 1/4-12 ES ZP
17	3400087	8	WASHER 3/8 ID .81 OD X
18	3400088	2	WASHER 5/16 ID .688 OD
19	3400091	6	WASHER-FENDER 1/2 ZP
20	3400098	4	WSR-LOCK 1/2, ZP
21	3400467	2	SCREW-HHM 5/16-18 X 3.0
22	3400942	1	SCR-SOC, 1/4-20 X .50 Z
23	3401154	4	3/8-16X2.75 YZ 8 HCS

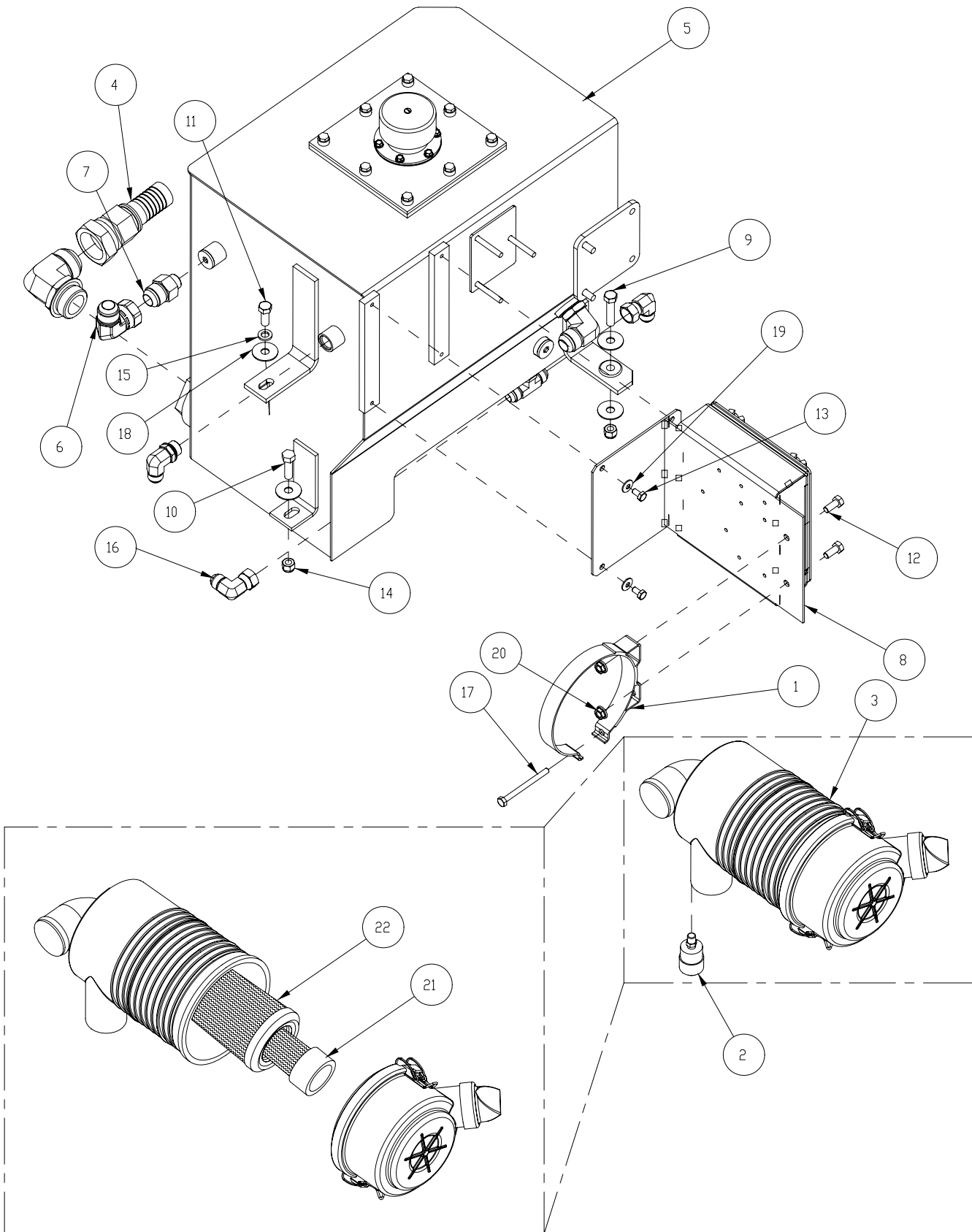
**ENGINE RADIATOR KUBOTA V1505 TIER 2 DIESEL - 3342163, REV H**





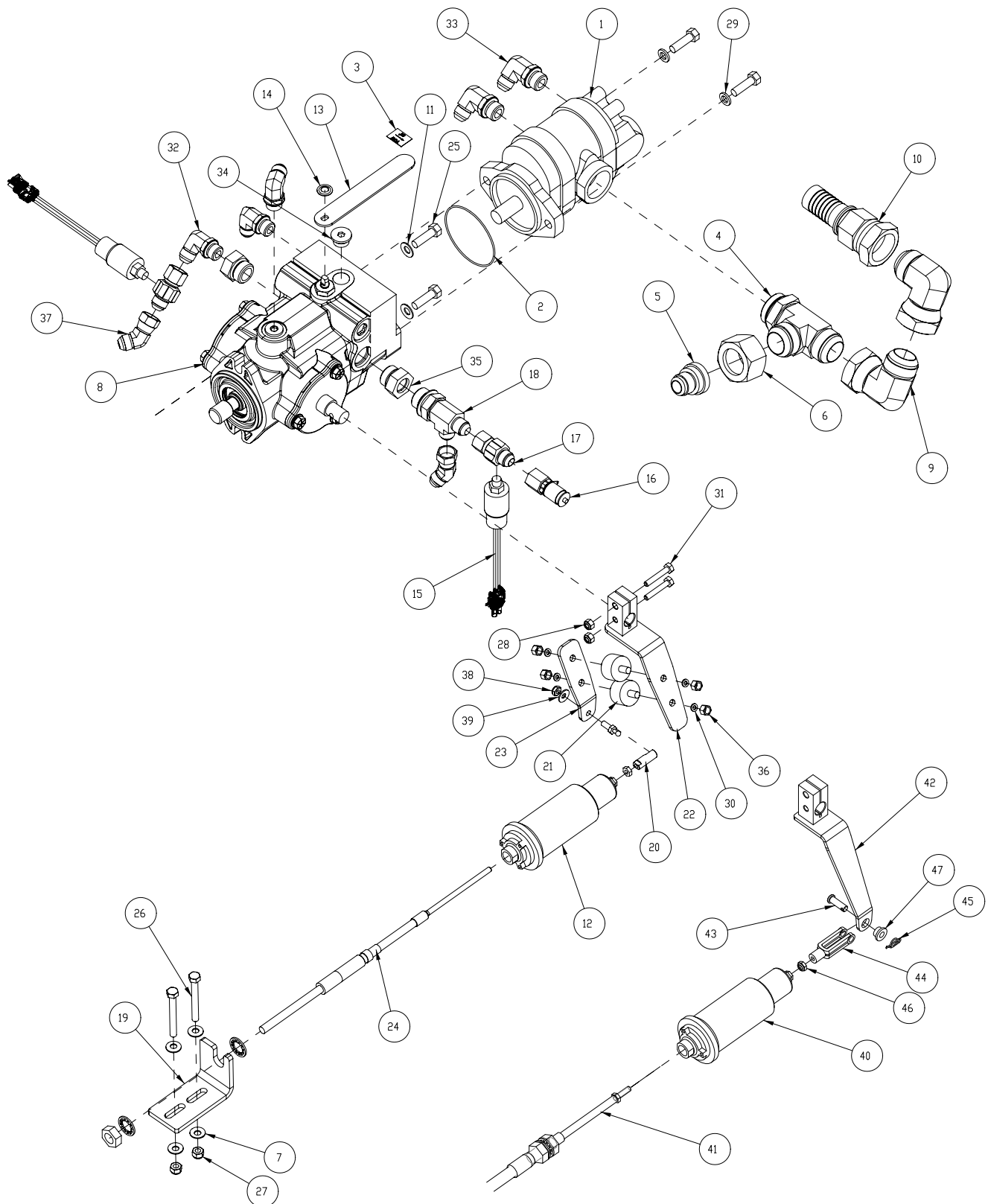
ENGINE RADIATOR KUBOTA V1505 TIER 2 DIESEL - 3342163, REV H			
ITEM	PART NO.	REQ'D	DESCRIPTION
1	3303255	4	CLAMP-HOSE 1 3/4 NOM.
2	3318752	1	RESERVOIR 6.75 X 3.6 X 3.0
3	3332643	1	HOSE - UPPER RADIATOR, KUBOTA 1505
4	3332644	1	HOSE - LOWER RADIATOR KUBOTA 1505
5	3336103	1	HOSE-RADIATOR DRAIN LP-GAS
6	3336679	1	RADIATOR-OIL COOLER, P-BAR TYPE
7	3341644	1	FTG-90 #16 O-RING TO #12 JIC
8	3402003	1	FTG-ADAPTER STRAIGHT 12MJIC X 16MORB
9	3343424	1	FTG-UNION, #12 JIC X #12 JIC
10	3343425	2	FTG-ADPT #12 JIC X #8 BSPP
11	3343426	1	FTG-ADPT 90° #12 JIC X #8 BSPP
12	3343429	1	CONTROL UNIT-OIL TEMP.
13	3344110	2	ISOLATOR-BONDED BUSHING BOTT RAD
14	3344147	1	HOSE - 1/4" ID X 28" LG OVERFLOW
15	3344202	1	WELD-SHROUD 1800/CORE 50
16	3344211	1	PLT-BOTT RAD LATERAL ADJUST DSL
17	3344212	1	PLT-BOTT RADIATOR MNT DSL
18	3344217	1	PLT-RESEVOIR MNT
19	3344218	1	WELD - RADIATOR MNT, UPPER, DSL
20	3344230	2	ISOLATOR - CYL, DIA 1.25 X 3/4, 5/16-18 X 9/16
21	3400022	2	SCR-HEX 1/2-13 X 1.25 ZP
22	3400029	2	SCR-HEX 3/8 -16X1.25 ZP
23	3400037	2	SCREW-HHM 5/16-18 X 2.75 LG ZP
24	3400042	6	SCR-HEX 1/4-20X.75 ZP
25	3400068	4	NUT-HEX 3/8-16 ZP
26	3400071	2	NUT-HEX 1/4-20 ZP
27	3400080	2	NUT-HEX 5/16-18 ES ZP
28	3400087	2	WASHER 3/8 ID .81 OD X .065 THK
29	3400089	4	WASHER 1/4 ID .63 OD X .065 THK
30	3400091	2	WASHER-FENDER 1/2 ZP
31	3400098	2	WSR-LOCK 1/2, ZP
32	3400101	4	WASHER-LOCK 3/8 SPLIT ZP
33	3400103	6	WASHER-LOCK 1/4 SPLIT ZP
34	3400278	2	WASHER-FENDER 3/8 ZP
35	3400324	2	NUT-HEX 1/4-20-SS-ES
36	3400383	4	WASHER CONICAL SPRING 1/4
37	3400384	4	WASHER CONICAL SPRING 5/16
38	3401542	2	SCR - FHSCS, 1/4-20 X 3/4 L, ZP,
39	3401590	2	SCREW-TRUSS HEAD 1/4-20 X 1/2 PH ZP

**KUBOTA V1505 TIER 2 DIESEL RESERVOIR, AIR FILTER, & FUSE BOX - 3342163, REV H**



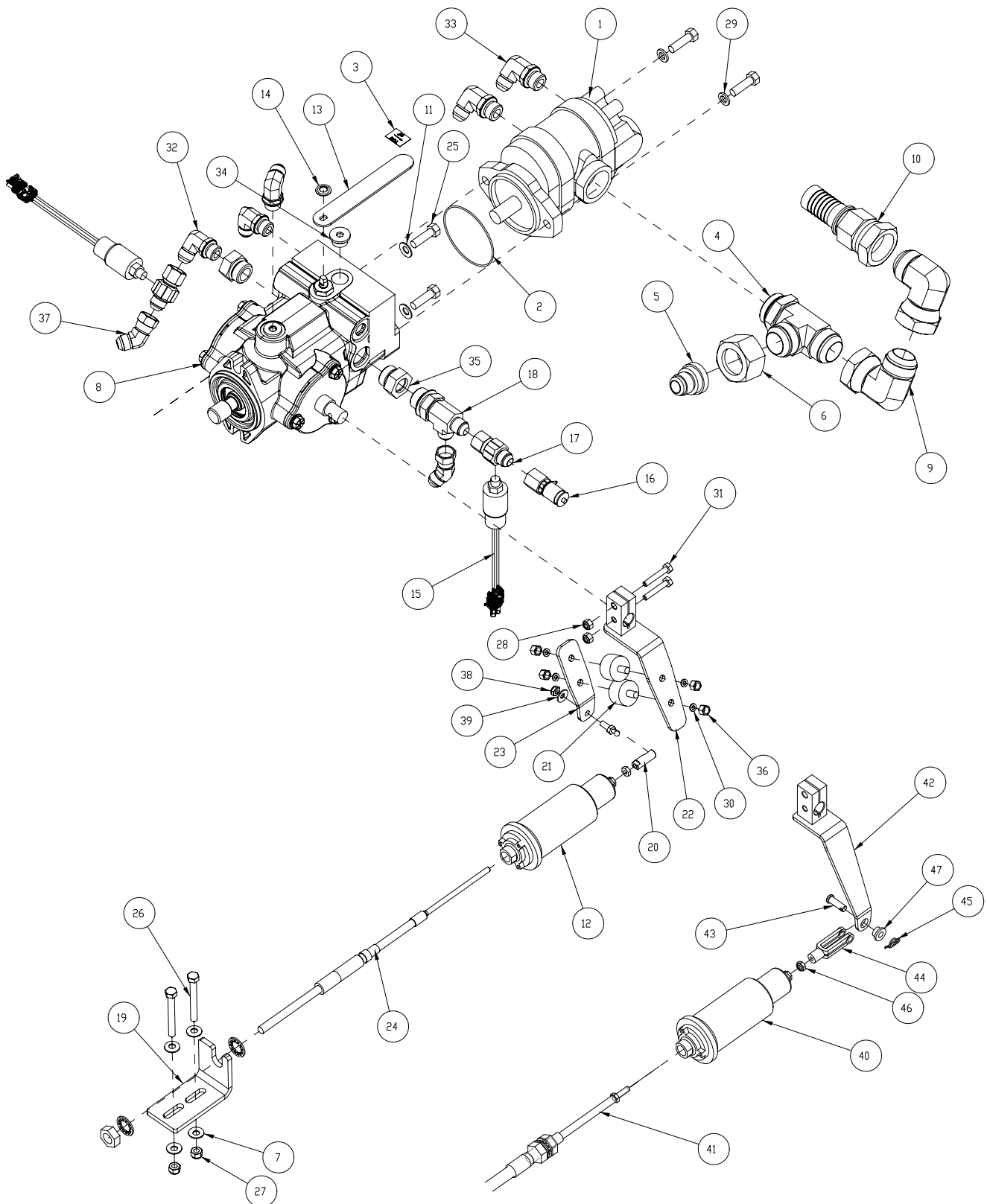
KUBOTA V1505 TIER 2 DIESEL RESERVOIR, AIR FILTER, & FUSE BOX - 3342163, REV H			
ITEM	PART NO.	REQ'D	DESCRIPTION
1	3300459	1	BAND-MTG AIR CLEANER PNTD BLAC
2	3303991	1	INDICATOR-AIR CLEANER
3	3317917	1	AIR CLEANER ASSY-5" RADIAL SEAL
4	3341642	1	FTG-#20 JIC TO 1.25 BARB
5	3341675	1	SUB-HYD RESERVOIR ASSY 5550
6	3343427	1	FTG-SWIVEL 90° #12 JIC X #12 JIC
7	3343428	1	FTG-ADPT #12 JIC X #8 UNF
8	3344223	1	ASSY-FUSE BOX 1800 DSL
9	3400027	1	SCREW-HHM 3/8-16 X 1.75 LG ZP
10	3400029	1	SCR-HEX 3/8 -16X1.25 ZP
11	3400030	1	SCREW-HHM 3/8-16 X 1.0 LG ZP
12	3400036	2	BOLT-HH 5/16-18X3/4
13	3400043	4	SCR-HEX 1/4-20X.50 ZP
14	3400079	2	NUT-HEX 3/8-16 ES ZP
15	3400101	1	WASHER-LOCK 3/8 SPLIT ZP
16	3400244	2	FTG-90 SWIVEL 8JIC
17	3400252	1	SCR-HEX,1/4-20X3.0 ZP
18	3400278	4	WASHER-FENDER 3/8 ZP
19	3400383	4	WASHER CONICAL SPRING 1/4
20	3400390	2	NUT-FLANGE LOCK 5/16-18
21	3322572	1	ELEMENT-AIR CLEANER, SAFETY
22	3321143	1	ELEMENT-AIR CLEANER, PRIMARY

**ENGINE PUMPS AND FITTINGS KUBOTA V1505 TIER 2 - DIESEL 3342163 REV H**



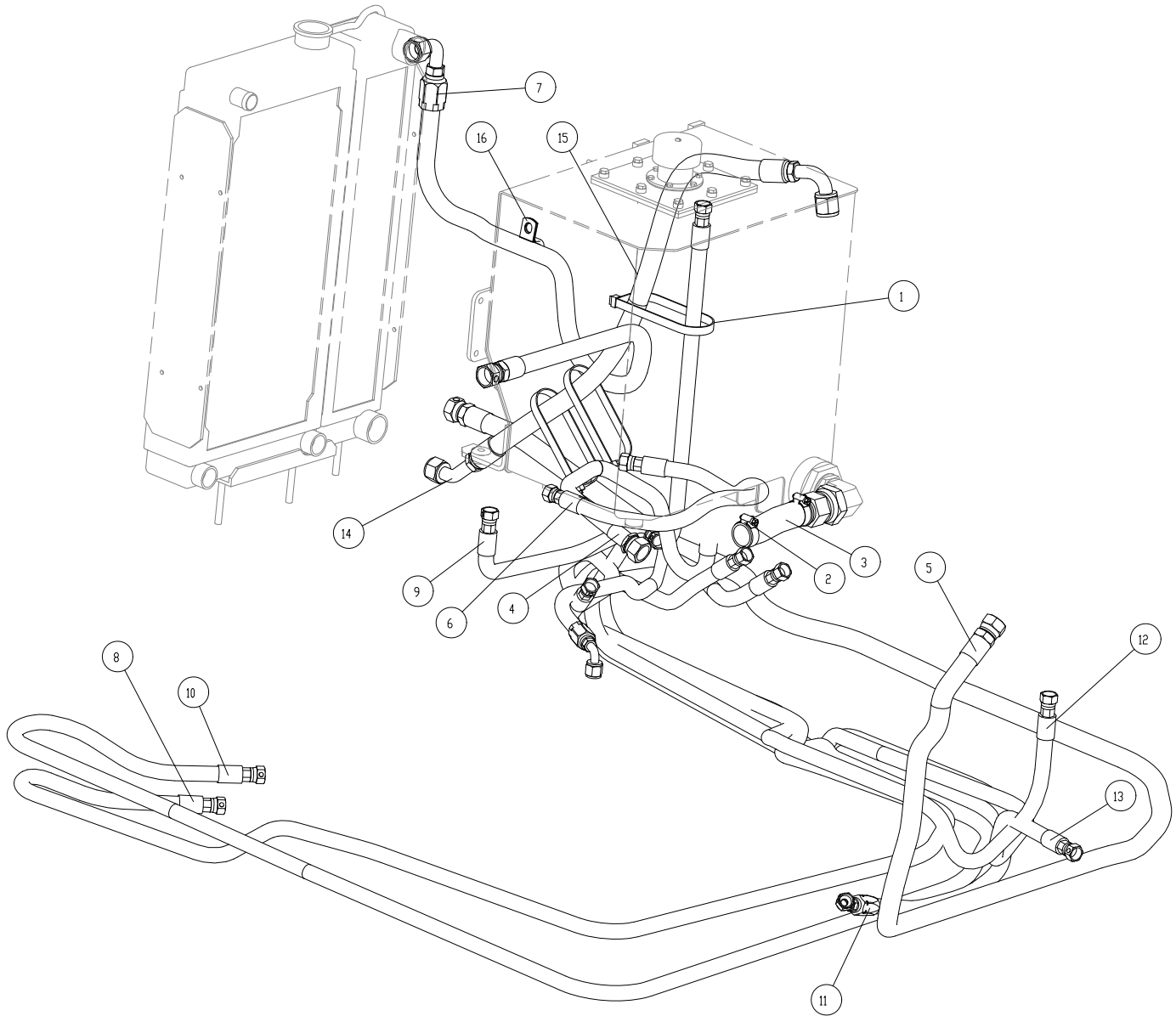
ENGINE PUMPS AND FITTINGS KUBOTA V1505 TIER 2 - DIESEL 3342163 REV H			
ITEM	PART NO.	REQ'D	DESCRIPTION
1	3341146	1	PUMP-GEAR, .84 CI/R, .66 CI/R
2	3303711	1	O-RING STATIC SEAL 3.239 ID
3	3334785	1	DECAL- TOW VALVE
4	3341120	1	FTG-TEE 1-5/8-12 TO #20
5	3341121	1	FTG-REDUCER #20 TO #12
6	3341122	1	NUT-REDUCER 3 PIECE #20
7	3400384	4	WASHER CONICAL SPRING 5/16
8	3341149	1	PUMP-HYD VAR DISP 5550
9	3341641	2	FTG-SWIVEL 90 ELBOW #20 JIC
10	3341642	1	FTG-#20 JIC TO 1.25 BARB
11	3400385	2	WASHER CONICAL SPRING 3/8
12	3341959	1	CENTERING SPRING-HYDROBACK
13	3342055	1	HANDLE-TOW VALVE
14	3342058	1	NUT-3/8 PUSH
15	3342199	2	SWITCH-PRESSURE 550 PSI (FWD/R
16	3342203	1	COUPLING-TEST 8F JIC SWIVEL
17	3342204	2	FTG-GAUGE PORT -8 JIC
18	3342826	1	FTG-TEE #8 3/4-16 TO #12 1 1/1
19	3343292	1	BRACKET-FWD/REV MNT 5550
20	3343692	1	BALL JOINT 1/4-28 LONG LG
21	3343693	2	ISOLATOR - FWD REV LEVER
22	3343766	1	ASSY-LEVER VAR PUMP 1800
23	3344011	1	PLATE-ISOLATOR MNT FWD/REV
24	3344024	1	CABLE-ASSEMBLY FWD/REV
25	3400029	4	SCR-HEX 3/8 -16X1.25 ZP
26	3400037	2	SCREW-HHM 5/16-18 X 2.75 LG ZP
27	3400080	2	NUT-HEX 5/16-18 ES ZP
28	3400081	2	NUT-HEX 1/4-20 ES ZP
29	3400101	2	WASHER-LOCK 3/8 SPLIT ZP
30	3400105	4	WASHER-LOCK #8 SPLIT ZP

**ENGINE PUMPS AND FITTINGS KUBOTA V1505 TIER 2 - 3342163 REVISION H (CONTINUED)**



31	3400149	2	SCREW-HHM 1/4-20 X 1.5 LG
32	3400154	3	FTG-90 EL 3/4-16 MORB X -8JIC
33	3400155	2	FTG-90 EL 8JIC X 10MORB
34	3400164	1	FTG-PLUG 3/4-16 O-RING
35	3400167	2	FTG-12MORB X 8FORB
36	3400195	4	NUT-HEX # 10-32 ZP
37	3400249	2	FTG-SWIVEL 45 EL #8 JIC
38	3400373	1	NUT-HEX 1/4-28-ES-ZP
39	3400383	1	WASHER CONICAL SPRING 1/4
40	3341959	1	CENTERING SPRING-HYDROBACK
41	3342574	1	CABLE ASSY-PUSH/PULL CONTROL
42	3343289	1	ASSY-LEVER VAR PUMP 5550
43	3343293	1	PIN-5/16, CLEVIS
44	3343447	1	CLEVIS, 5/16
45	3400125	1	PIN-COTTER 3/8 RUE RING
46	3400373	1	NUT-HEX 1/4-28-ES-ZP
47	3343446	1	BUSHING .3125 ID X .50 OD X .32 L (PART OF ITEM 42)

**ENGINE HOSE ROUTING KUBOTA V1505 TIER 2 - 3342163 REVISION H**

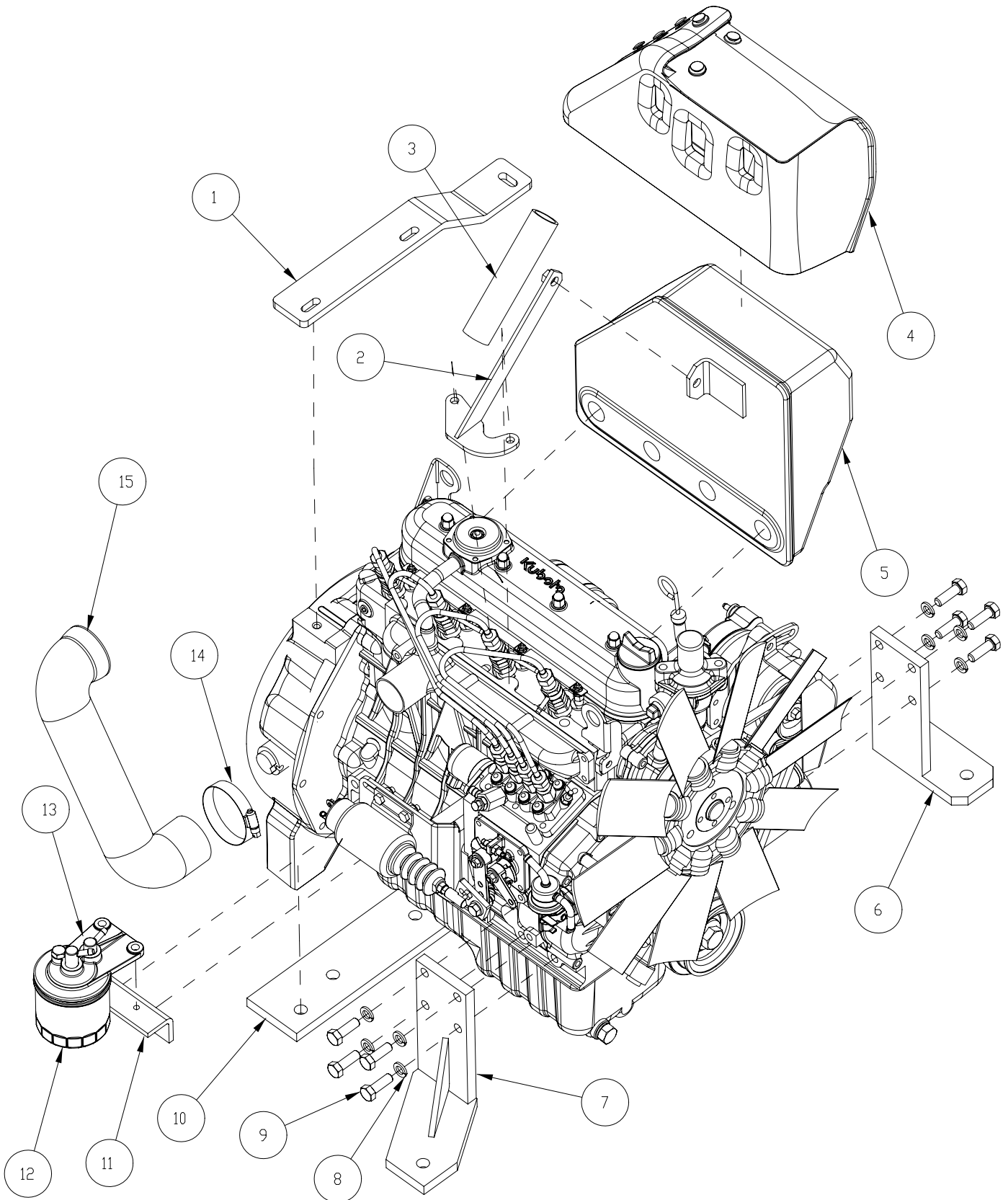




**ENGINE HOSE ROUTING KUBOTA V1505 TIER 2 - 3342163 REVISION H**

ITEM	PART NO.	REQ'D	DESCRIPTION
1	3302493	3	TIE-WIRE, 8 LG
2	3303255	2	CLAMP-HOSE 1 3/4 NOM.
3	3341643	1	HOSE-HYD SUCTION 1.25 X 6.00
4	3341751	1	HOSE- .50 AR 24.0 ST #8 ST #12
5	3341813	1	HOSE-.75 AR 122.0 ST #12 ST#12
6	3341817	1	HOSE- .50 AR 25.0 ST #8 ST #8
7	3342488	1	HOSE- .75 AR 45.0 ST #12
8	3342489	1	HOSE- .50 AR 150.75 ST #8
9	3342490	1	HOSE- .50 AR 44" W/C ST #
10	3342491	1	HOSE- .50 AR 138.5 ST #8
11	3342495	1	HOSE- .50 AR 89.0 ST #8
12	3342502	1	HOSE- .50 AR 93 ST #8 ST #8
13	3342503	1	HOSE- .50 AR 93 ST #8 ST #8
14	3343474	1	HOSE-3/4 AR 36.5 45°#12 X 90°#12
15	3343762	1	SLEEVE-NYLON 1 X 15 LG
16	3400999	1	CLAMP- P TYPE 1 DIA, ZP VINYL COATED

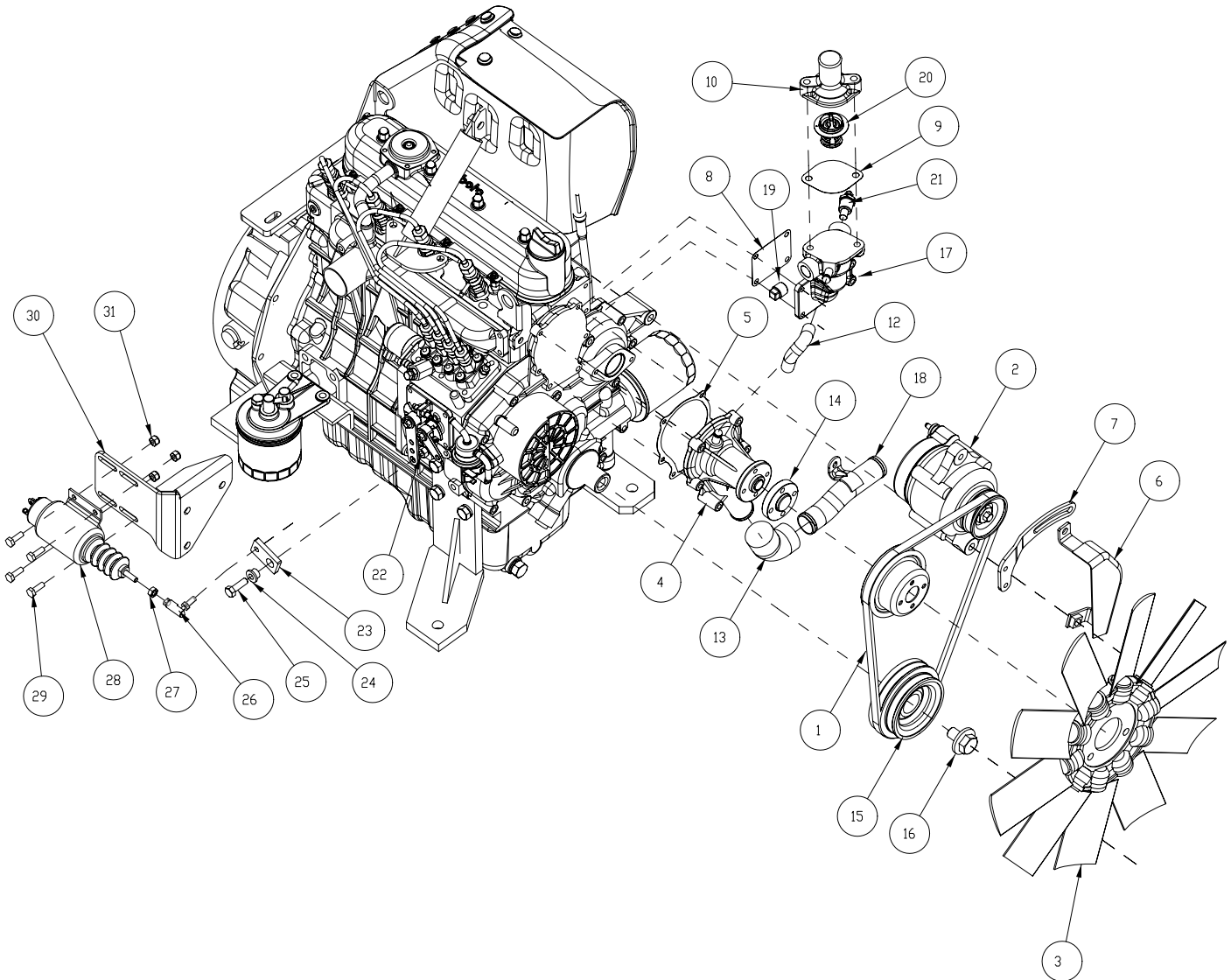
**ENGINE KUBOTA V1505 DIESEL - MUFFLER, FUEL FILTER & ENGINE MOUNTS**



**ENGINE PUMPS AND FITTINGS GM1.6L TIER 2 - LPG 3343278 H & GAS 3343284 J**

ITEM	PART NO.	REQ'D	DESCRIPTION
1		1	
2	EPS2665	1	V1505 HEAD MUFFLER BRACE
3	3500660	1	HOSE - 1.0 ID RADIATOR HOSE
4	3330629	1	BLANKET-KUBOTA V1505E BOX EXHAUST
5	3330627	1	MUFFLER-KUBOTAV 1505E BOX
6		1	
7		1	
8	3400098	8	WSR-LOCK 1/2, ZP
9	3400296	8	SCR-HEX M12 X 1.25 X 30 MM, ZP
10		1	
11		1	
12	3303324	1	FILTER, FUEL KUBOTA DIESEL
13	3305882	1	MOUNT, FUEL FILTER KUBOTA PNTD
14	3044112	1	CLAMP - HOSE, DIAM. 2.5" SS
15	3333965	1	HOSE - RUBBER AIR INTAKE "U" V1505

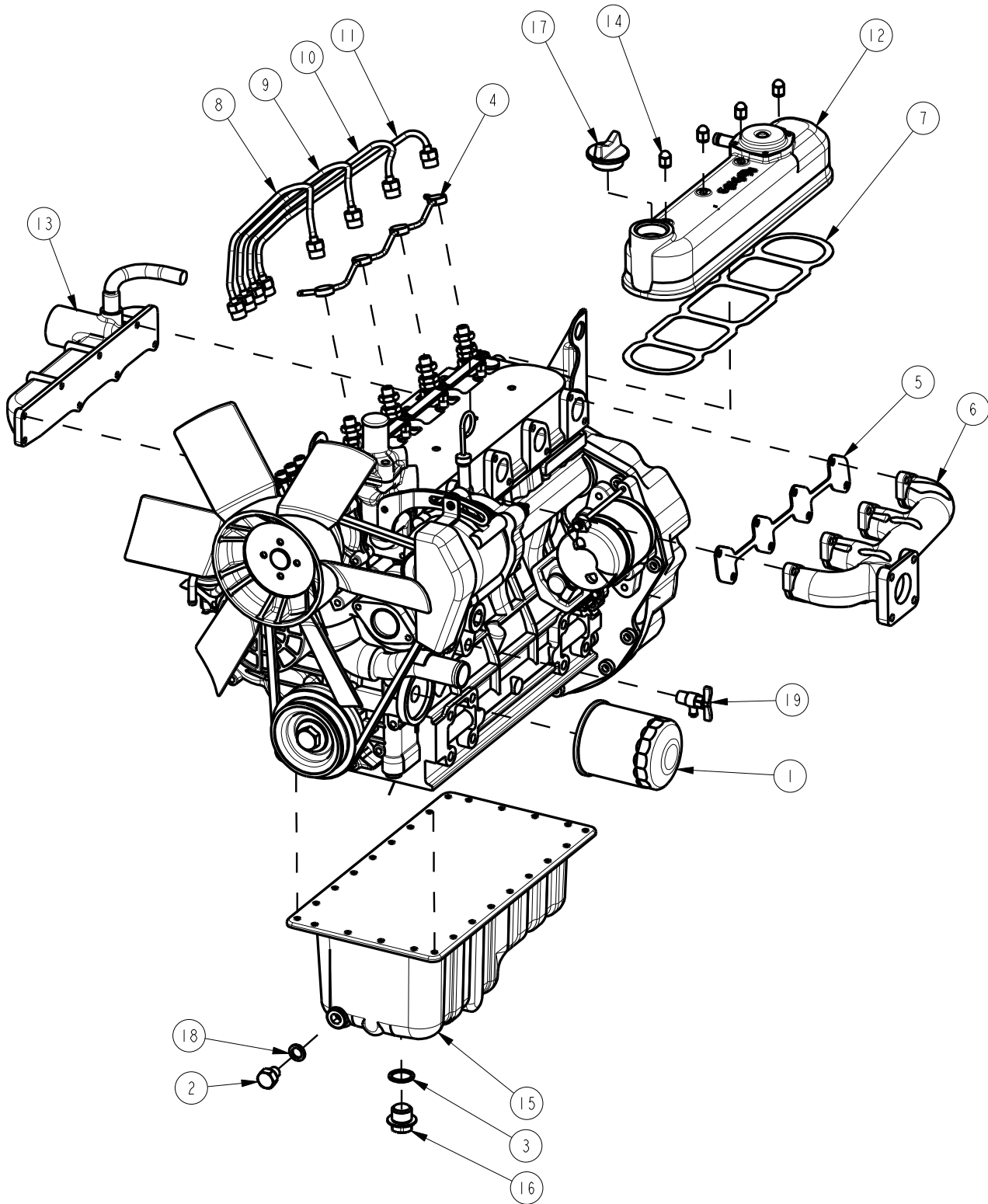
**ENGINE KUBOTA V1505 DIESEL - ALTERNATOR, WATER PUMP AND THERMOSTAT**



**ENGINE KUBOTA V1505 DIESEL - ALTERNATOR, WATER PUMP AND THERMOSTAT**

ITEM	PART NO.	REQ'D	DESCRIPTION
1	3329867	1	BELT-KUBOTA V1505V
2	3329875	1	ALTERNATOR-KUBOTA V1505
3	3342304	1	FAN-16" VARIABLE, FULL PITCH, BREEZA
4	3330792	1	PUMP - WATER, KUBOTA V1505
5	3330793	1	GASKET - KUBOTA V1505 WATER PUMP
6	3331935	1	COVER-BELT
7	3336067	1	STAY-ALTERNATOR
8	3336915	1	GASKET-WATER FLANGE KUBOTA V1505
9	3336918	1	GASKET-THERMOSTAT KUBOTA V1505
10	3336919	1	COVER-THERMOSTAT KUBOTA V1505
11	3336922	1	PULLEY-FAN KUBOTA V1505
12	3336931	1	PIPE-WATER RETURN THERMOSTAT HSG KUBOTA V1505
13	3336932	1	PIPE-WATER PUMP KUBOTA V1505
14	3336933	1	SPACER-FAN 10MM KUBOTA V1505
15	3336934	1	PULLEY-ENGINE KUBOTA V1505
16	3336937	1	BOLT-PULLEY KUBOTA V1505
17	3336939	1	HOUSING-THERMOSTAT KUBOTA V1505
18	3336946	1	PIPE-WATER KUBOTA V1505
19	3336947	1	PLUG-THERMOSTAT HSG KUBOTA V1505
20	3350446	1	THERMOSTAT-KUBOTA V1505
21	3341070	1	SENDER - TEMPERATURE 12V
22	3400080	1	NUT-HEX 5/16-18 ES ZP
23	3335364	1	PLT - KBA V1505 DSL SOLENOID THRITTLE
24	3401071	1	BUSHING-FLNG .312 ID X .50 OD X .375 L
25	3400035	1	SCR-HEX 5/16-18X1.00 ZP
26	3342225	1	BALL JOINT 1/4-28 STD LG
27	3400180	1	NUT-HEX 1/4-28 ZP
28	3335303	1	SOLENOID - THROTTLE SOLENOID
29	3400042	4	SCR-HEX 1/4-20X.75 ZP
30	3335358	1	BRACKET - THROTTLE SOLENOID MOUNT
31	3400081	4	NUT-HEX 1/4-20 ES ZP

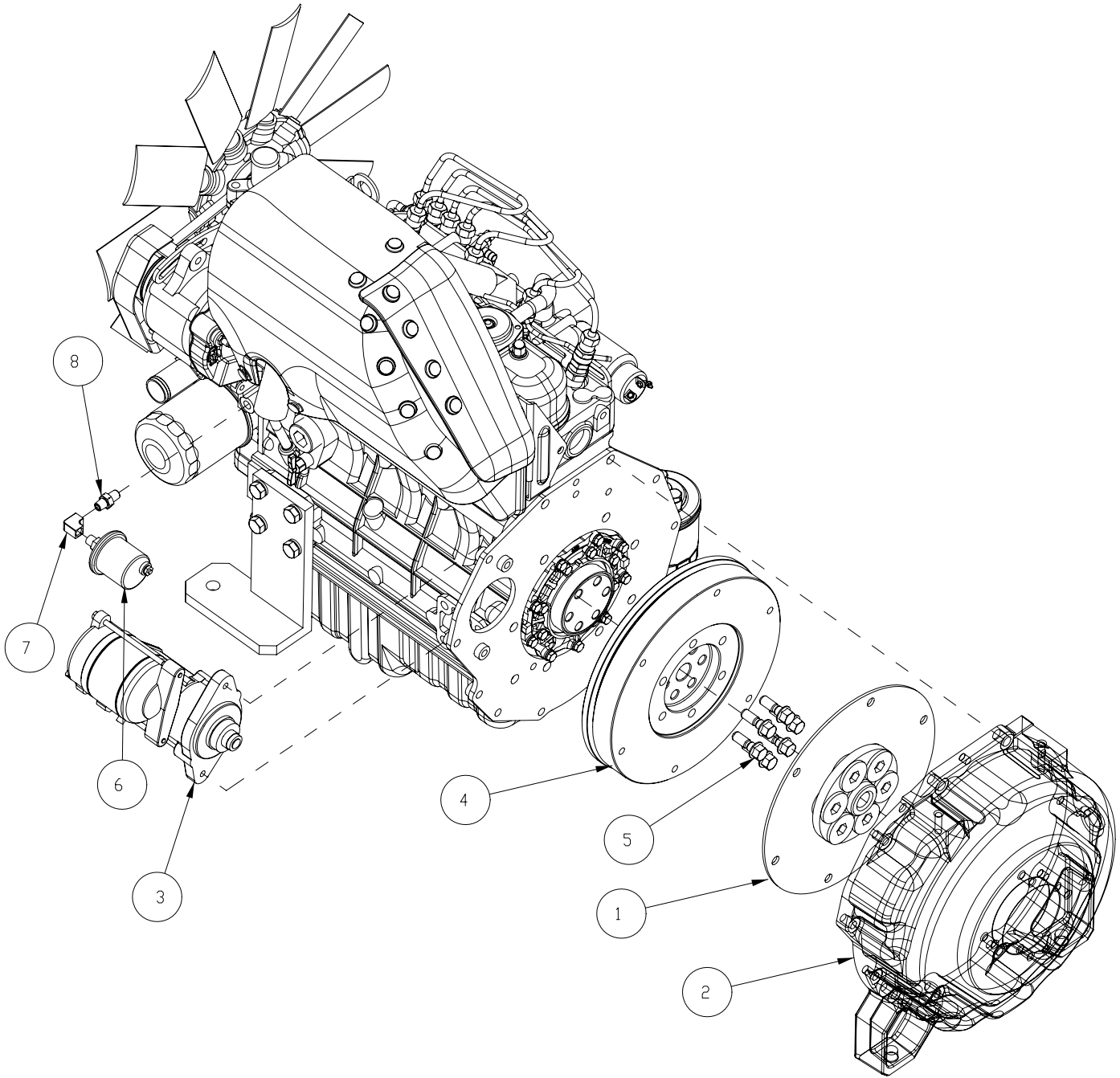
ENGINE KUBOTA V1505 DIESEL - CYLINDER HEAD, OIL PAN, OIL FILTER, FUEL INJECTION



**ENGINE KUBOTA V1505 DIESEL - CYLINDER HEAD, OIL PAN, OIL FILTER, FUEL INJECTION**

ITEM	PART NO.	REQ'D	DESCRIPTION
1	3324129	1	FILTER - OIL, 1505/905 KUBOTA DIESEL
2	3331586	1	PLUG-DRAIN
3	3333377	1	GASKET-DRAIN PLUG
4	3333567	1	FUEL LINE-KBA 1505 LEAK OFF LINE
5	3333964	1	GASKET-EX-MANIFOLD KUBOTA V1505
6	3339628	1	ASSY-COCK DRAIN V1505
7	3334278	1	GASKET - VALVE COVER KUBOTA V1505 DIESEL
8	3334995	1	PIPE INJECTION-KUBOTA V1505
9	3334996	1	PIPE INJECTION-KUBOTA V1505
10	3334997	1	PIPE INJECTION-KUBOTA V1505
11	3334998	1	PIPE INJECTION-KUBOTA V1505
12	3336910	1	COVER-CYLHEAD KUBOTA V1505
13	3336911	1	MANIFOLD-INLET KUBOTA 1505
14	3336916	4	NUT-CYLHEAD COVER KUBOTA V1505
15	3336920	1	PAN-OIL KUBOTA V1505
16	3336921	1	PLUG-OIL PAN KUBOTA V1505
17	3336926	1	PLUG-OIL FILLER KUBOTA V1505
18	3336936	1	GASKET-DRAIN PLUG KUBOTA V1505

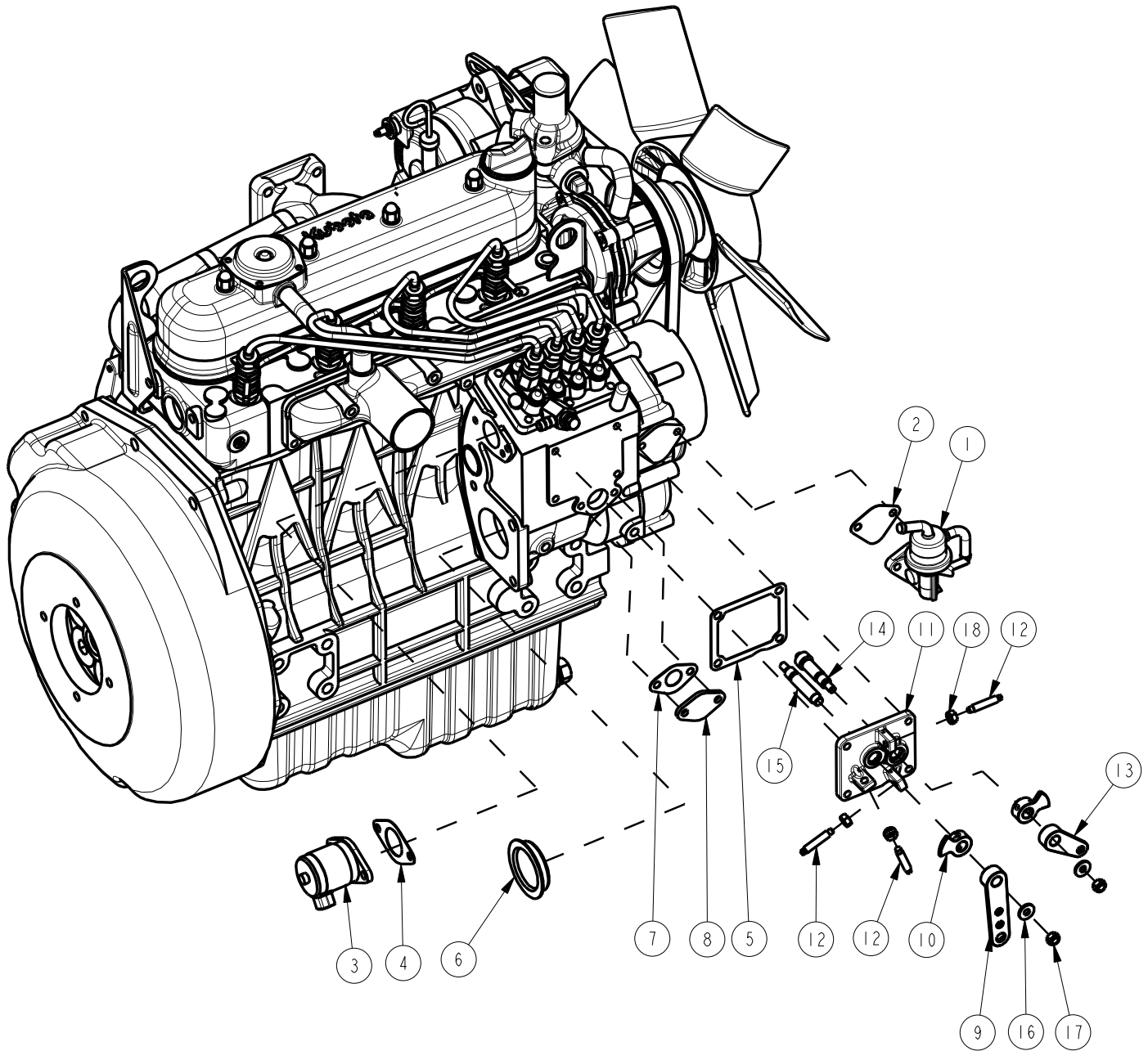
**ENGINE KUBOTA V1505 DIESEL - BELL HOUSING, FLYWHEEL, AND STARTER**





<b>ENGINE KUBOTA V1505 DIESEL - BELL HOUSING, FLYWHEEL, AND STARTER</b>			
<b>ITEM</b>	<b>PART NO.</b>	<b>REQ'D</b>	<b>DESCRIPTION</b>
1	3329956	1	COUPLING-KUBOTA DIESEL V1505/D905 HAYES (SP)
2		1	
3	3330402	1	STARTER - KUBOTA V1505, 12V
4	3336935	1	COMP-FLYWHEEL KUBOTA V1505
5	3336938	6	BOLT-FLYWHEEL KUBOTA V1505
6	3341069	1	SENDER-OIL PRESSURE 12V
7	3301720	1	FTG-90 EL 1/8 FPT
8	3305640	1	FTG-NIPPLE 1/8BPT-1/8NPT BRASS

**ENGINE KUBOTA V1505 DIESEL - FUEL PUMP, SOLENOID, AND SPEED CONTROL LEVER**



<b>ENGINE KUBOTA V1505 DIESEL - FUEL PUMP, SOLENOID, AND SPEED CONTROL LEVER</b>			
<b>ITEM</b>	<b>PART NO.</b>	<b>REQ'D</b>	<b>DESCRIPTION</b>
1	3330692	1	PUMP - FUEL, KUBOTA V1505 DIESEL
2	3330693	1	KUBOTA 1505-FUEL PUMP GASKET
3	3334549	1	SOLENOID - FUEL SHUT-OFF W/ JUMPER
4	3336923	1	GASKET-SOLENOID KUBOTA V1505
5	3336924	1	GASKET-CONTROL PLATE KUBOTA V1505
6	3336925	1	PLUG-ENGINE KUBOTA V1505
7	3336929	1	GASKET-FORK COVER KUBOTA V1505
8	3336930	1	COVER-FORK LEV. SHAFT KUBOTA V1505
9	3336941	1	LEVER-SPEED CONTROL KUBOTA V1505
10	3336942	2	LEVER-SPEED CONTROL KUBOTA V1505
11	3336943	1	PLATE-SPEED CONTROL KUBOTA V1505
12	3336944	3	BOLT-ADJUSTING SPEED CONTROL KUBOTA V1505
13	3336945	1	LEVER-ENGINE STOP KUBOTA V1505
14	3336948	1	SHAFT-LEVER STOP SPEED CONTROL KUBOTA V1505
15	3336949	1	LEVER-GOVERNOR KUBOTA V1505
16	3336969	2	WASHER-PLAIN 15MM OD X 6MM ID X 1.6MM TK
17	3336970	2	NUT-HEX LOCK 6MM
18	3336976	3	HUT-HEX JAM 6MM



# WARRANTY



**Revision F**  
**Effective November 1, 2008**  
**PowerBoss Made Simple Industrial Limited Warranty**

Minuteman International owner of PowerBoss warrants to the original purchaser/user that the product is free from defects in workmanship and materials under normal use. PowerBoss will, at its option, repair or replace without charge, parts that fail under normal use and service when operated and maintained in accordance with the applicable operation and instruction manuals. All warranty claims must be submitted through and approved by factory authorized repair stations.

This warranty does not apply to normal wear, or to items whose life is dependent on their use and care. Parts not manufactured by PowerBoss are covered by and subject to the warranties and/or guarantees of their manufacturers. Please contact Minuteman International for procedures in warranty claims against these manufacturers.

**Special warning to purchaser** -- Use of replacement parts not manufactured by PowerBoss or its designated licensees, will void all warranties expressed or implied. A potential health hazard exists without original equipment replacement.

All warranted items become the sole property of Minuteman International or PowerBoss or its original manufacturer, whichever the case may be.

PowerBoss disclaims any implied warranty, including the warranty of merchantability and the warranty of fitness for a particular purpose. PowerBoss assumes no responsibility for any special, incidental or consequential damages.

This limited warranty is applicable only in the U.S.A. and Canada, and is extended only to the original user/purchaser of this product. Customers outside the U.S.A. and Canada should contact their local distributor for export warranty policies. PowerBoss is not responsible for costs or repairs performed by persons other than those specifically authorized by PowerBoss. This warranty does not apply to damage from transportation, alterations by unauthorized persons, misuse or abuse of the equipment, use of non-compatible chemicals, or damage to property, or loss of income due to malfunctions of the product. If a difficulty develops with this machine, you should contact the dealer from whom it was purchased.

This warranty gives you specific legal rights, and you may have other rights, which vary from state to state. Some states do not allow the exclusion or limitation of special, incidental or consequential damages, or limitations on how long an implied warranty lasts, so the above exclusions and limitations may not apply to you.

	Travel*	Labor	Parts	Engine	Extended Warranty	Costs
<b>Walk behinds</b>						
Battery sweepers	Ninety days	One year	One year	N/A	2 years Parts + Labor (or 2000 Hours)	2%
IC sweepers	Ninety days	One year	One year	Through manufacturer	2 years Parts + Labor (or 2000 Hours)	2%
Battery scrubbers	Ninety days	Two years	Three years	N/A	3 Years Parts + Labor (or 3000 Hours)	2%
<b>Riders</b>						
Battery scrubbers	Ninety days	Two years	Three years/2000 hrs	N/A	3 Years Parts + Labor (or 3000 Hours)	2%
IC sweeper/scrubbers	Ninety days	Six months	Two years/2000 hrs	Two years/3000 hrs**	2 years Parts + Labor (or 2000 Hours)	3%
IC sweepers	Ninety days	Six months	Four years/3000 hrs	Five years/3000 hrs**	4 Years Parts + 2 Years Labor (or 4000 Hours)	3%
<b>Exceptions</b>						
Apex series sweeper	Ninety days	One year	One year/1000 hrs	One year/1000 hrs**	2 years Parts + Labor (or 2000 Hours)	3%
6X sweeper	Ninety days	Six months	Two years/2000 hrs	Two years/2000 hours**	2 years Parts + Labor (or 2000 Hours)	3%

**Tank Bladders** Eight years/ no additional labor  
**Polypropylene plastic tanks** Ten years/ no additional labor  
**Batteries** 0-3 months full replacement, 4-12 prorated credit  
**Chargers** One-year replacement  
**Replacement parts** Ninety days

\*Two-hour cap

\*\*Through engine manufacturer. See section 3 of warranty manual for engine warranty exceptions

\*\*\* Based upon dealer's certification status

Extended Warranty MUST be signed up within 30 days of delivery to End User (Dealer has 1Year from Receiving Machine to Sign up extended Warranty)

Extended Warranty Cost is based on Invoice Price multiplied by the Percentage listed in the Extended Warranty Column

*All above labor and travel reimbursed at 65 or 75% of the published shop rate.*



***“The Power of Clean”***

**PowerBoss Is A Full Line Manufacturer Of Sweepers and Scrubbers For  
Industrial Facilities.**

PowerBoss, Inc 175 Anderson Street P.O. Box 1227- Aberdeen North Carolina 28315

Phone: 800-982-7141 - Fax: 1-800-277-7141 Local: 910-944-2105 Fax: 910-944-7409 e-mail: [techsupport@powerboss.com](mailto:techsupport@powerboss.com)

**A Member Of The Hako Group**